



AIRPLANE PARTS CATALOG

DAKOTA

PA-28-236

CARD 1 OF 2

**PIPER AIRCRAFT
CORPORATION**

Courtesy of Bomar Flying Service
www.bomar.biz

**PIPER AIRCRAFT
PA-28-236 DAKOTA
AIRPLANE PARTS CATALOG**

Published by
Technical Publications

Piper Aircraft Corporation
2926 Piper Drive
Vero Beach, Florida 32960
U.S.A.



Member of GAMA
General Aviation
Manufacturers Association

PIPER AIRCRAFT PA-28-236 DAKOTA AIRPLANE PARTS CATALOG

AEROFICHE EXPLANATION AND REVISION STATUS

The Parts Catalog information in this set of Aerofiche cards is arranged in accordance with general specifications of Aerofiche adopted by the General Aviation Manufacturer's Association.

Conversion of Aerofiche alpha/numeric code numbers:

First number is the Aerofiche card identifier.

Letter is the horizontal line reference per card.

Second number is the vertical line reference per card.

Example: 2J16 = Aerofiche card number two of given set, Grid location J16.

REVISIONS

The information compiled in this Aerofiche Parts Catalog is kept current by revisions distributed periodically. Each revision is a complete Aerofiche card replacement and supersedes Aerofiche cards of the same number in the set.

Revisions to this PA-28-236 Parts Catalog (761 680) issued June 22, 1978 are as follows:

<u>Effectivity</u>	<u>Aerofiche Card Effectivity</u>
ORG 780622	1 and 2
CR 900601	1 and 2
IR 950315 *	1

* INTERIM CHANGE TO PARTS CATALOG 761-680

Changes have been made to Sections II and IX of Card 1. There are no other changes included in this interim change revision. Please discard your current card 1, and replace it with the revised card 1. DO NOT DISCARD CARD 2.

**PIPER AIRCRAFT
PA-28-236 DAKOTA
AIRPLANE PARTS CATALOG**

INTRODUCTION

This illustrated Parts Catalog provides simple, positive identification of replacement parts for the Piper Model PA-28-236 manufactured by the Piper Aircraft Corporation of Vero Beach, Florida.

NOTE: DO NOT USE THIS CATALOG FOR RIGGING AND INSTALLATION PURPOSES.

1. The catalog is divided into thirteen major sections as follows:
 - a. Section I to XII inclusive contains all replacement parts for the complete airplane. Each section is subdivided and each division includes an illustration and a parts listing.
 - b. Section XIII is the Miscellaneous Group. This group includes an illustration and parts list for the Placards and Exterior Stencils and a listing of the Optional Equipment Kits, Repair kits and Special Tools.
2. The following is a brief explanation of the columns in the parts lists: (Refer to EXAMPLE below).
 - a. The FIGURE AND INDEX NUMBER column indicates the illustration figure number and its part index number. EXAMPLE: (2-1), the 2 is the figure number and the 1 is the index number. The figure number appears only at the top of each parts list page.
 - b. The PART NUMBER column contains the identifying number of the replacement part and this number must be shown on all parts orders.
 - c. The CODE column is for the purpose of indicating special uses of the part. An explanation of the letter code used is shown on the grid (page) preceding each parts listing and pertains to that listing only.
 - d. The NOMENCLATURE column indicates the part name. This name must be shown on all parts orders.
 - e. The NO. REQ. (Number Required) column represents the total quantity of parts used per figure when the part is not indented and the quantity of parts used per assembly when the part is indented. The symbol AR listed in this column means As Required.
 - f. The SERIAL NUMBERS AFFECTED column indicates the part application by airplane serial number.

EXAMPLE

Figure and Index Number	Part Number	Code	NOMENCLATURE	No. Req.	SERIAL NUMBERS AFFECTED
2-1	XXXXX-XX		DOOR ASSEMBLY - Baggage compartment	X	
-2	XXXXX-XX		* TUBE ASSEMBLY - Baggage door latch	X	
-3	XXXXX-XX		* * CLEVIS - Door latch tube assembly	X	
-4	XXXXX-XX		* * CLIP - Door latch tube assembly	X	

In the nomenclature column, the next higher assembly relationship of items covered is shown by the degree of indentation of each item and is indicated by an asterisk (*). One asterisk signifies one indentation, two signifies two indentions, etc. The example listing above is interpreted as follows:

If the DOOR ASSEMBLY (not indented) is ordered, it will include the three items indented under the DOOR ASSEMBLY.

If the TUBE ASSEMBLY (indented one space) is ordered, it will include the two items indented under the TUBE ASSEMBLY.

If you want only a CLEVIS or CLIP, you order only that item.

PIPER AIRCRAFT PA-28-236 DAKOTA AIRPLANE PARTS CATALOG

3. Piper Aircraft will supply all attaching parts to its customers in any quantity. When purchasing the attaching parts such as nuts, bolts, washers, cotter pins, etc. from Piper Aircraft the customer or service center need only order the part(s) needed.
4. All items of Optional Equipment are contained in the parts list in their proper sequence and sections. These items were not marked optional, since they are fully identified by their descriptions.

HOW TO IDENTIFY A PART IF YOU KNOW WHAT IT LOOKS LIKE AND KNOW WHERE IT IS LOCATED

1. Refer to Figure 1 to determine the section number in which the part is used.
2. Refer to the Table of Contents and locate the section. Note the figure numbers that illustrate the various subgroups of this main section. Select the figure title you think might contain the part you wish to identify and proceed to the grid (page) specified. If you don't find the part on this illustration, try another figure in this group.
3. Refer to Figure and Index Number in the parts listing for description of the part.

HOW TO ORDER PARTS

When ordering parts for your Piper airplanes, please observe the following instructions:

1. Place your order with your local distributor or service center.
2. Specify the model and serial number of your airplane.
3. Specify Part Number, Name, Type and Quantity Required.
4. Specify the method of shipment — freight, express, parcel post, air express, air freight or air parcel post. Where the nature of the shipment requires it or when no instructions are given, we reserve the right to ship the most suitable way.
5. Request price and delivery information prior to order placement.

GENERAL INFORMATION

1. Shortages
All orders are checked before leaving our Shipping Department. A packing slip is enclosed with the shipment. Claims for errors or shortages must be made within three days after receipt of orders.
2. Returned Goods
No material should be returned without first securing written permission. Material sent in without notice will be held at the owner's risk for thirty days and will then be disposed of as we see fit. Transportation charges must be prepaid on returned goods or the shipment will be refused.
3. Transportation Liabilities
The Piper Aircraft Corporation cannot be held liable for damages to parts in transit from the factory. If a shipment is received in a damaged condition, have the delivery man or transportation company make a notation of the damage and file your claim with the carrier. In case of concealed damage, do not attempt to remove the part from the shipping container, or try to repair the damage, call the carrier and have their claim agent inspect the damage before filing your claim with the carrier.

PIPER AIRCRAFT PA-28-236 DAKOTA AIRPLANE PARTS CATALOG

MODEL SERIAL NUMBER INFORMATION

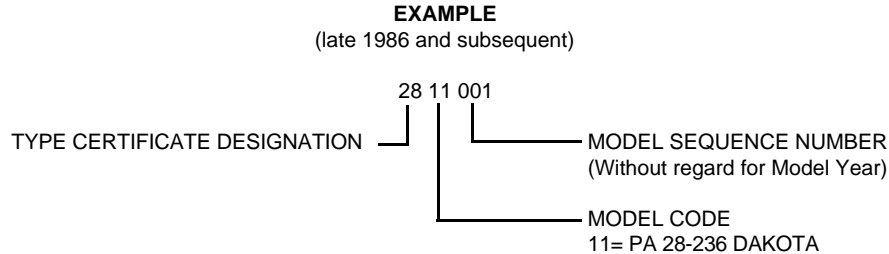
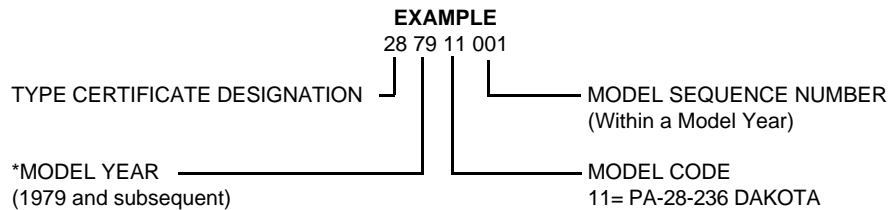
The serial numbers of the PA-28-236 Dakota aircraft covered by this Parts Catalog are as follows:

Serial Numbers of the 1979 PA-28-236 Dakota models are 28-7911001 thru 28-7911335.
Serial Numbers of the 1980 PA-28-236 Dakota models are 28-8011001 thru 28-8011151.
Serial Numbers of the 1981 PA-28-236 Dakota models are 28-8111001 thru 28-8111096.
Serial Numbers of the 1982 PA-28-236 Dakota models are 28-8211001 thru 28-8211049.
Serial Numbers of the 1983 PA-28-236 Dakota models are 28-8311001 thru 28-8311025.
Serial Numbers of the 1984 PA-28-236 Dakota models are 28-8411001 thru 28-8411031.
Serial Numbers of the 1985 PA-28-236 Dakota models are 28-8511001 thru 28-8511020.
Serial Numbers of the 1986 PA-28-236 Dakota models are 28-8611001 thru 28-8611008,
2811001 thru 2811004.
Serial Numbers of the 1987 PA-28-236 Dakota models are 2811005 thru 2811016.
Serial Numbers of the 1988 PA-28-236 Dakota models are 2811017 thru 2811022.
Serial Numbers of the 1989 PA-28-236 Dakota models are 2811023 thru 2811032.
Serial Numbers of the 1990 PA-28-236 Dakota models are 2811033.
Serial Numbers of the 1993 PA-28-236 Dakota models are 2811034 thru 2811037.
Serial Numbers of the 1994 PA-28-236 Dakota models are 2811038 thru 2811050.
Serial Numbers of the 1995 PA-28-236 Dakota models are 2811051 and up.

SERIAL NUMBER EXPLANATION

The Serial Number on the Manufacturer's Identification Plate is based on either a 3- or 4-set numbering system. In the 4-set system, the first set defines the Type Certificate Designation, the second set is the Model Year, the third set is the Model Code, while the fourth set is the Model Sequence Number (within a model year).

The 3-set system omits the model year* and begins a new sequence with 2811001. This new sequence continues without renumbering for a new year.



PIPER AIRCRAFT PA-28-236 DAKOTA AIRPLANE PARTS CATALOG

STANDARD PAINT CHART

	MFG. NO.	PIPER PART NUMBER	
EXTERIOR		QUART	GALLON
POLYURETHANE ENAMEL (Dupont Imron)			
Baja Yellow	H7850U	4175 461	1175 461
Juneau White	H7848U	4175 462	1175 462
Ocala Orange	H7857UM	4175 463	1175 463
Madrid Red	H7851UM	4175 464	1175 464
Bahama Blue	H7853U	4175 465	1175 465
Alvocado	H7852U	4175 466	1175 466
Las Vegas Gold	5242U	4176 121	1176 121
Dakota Black	99U	4175 467	1175 467
Denver Brown	H7859U	4176 122	1176 122
Matador Red	H7858U	4175 468	1175 468
Royal Blue	H7856U	4175 469	1175 469
Hickory Brown	H7855U	4175 470	1175 470
Silver	4531U	4176 123	1176 123
Lime Green	H7854U	4175 460	1175 460
Sage Green	K7887U	4176 132	1175 460
Firethorn	K7888UW	4176 133	1176 133
Buckskin	K7890U	4176 135	1176 135
Dark Blue	K7891U	4176 136	1176 136
Platinum Gray	N7819U	4176 126	1176 126
Sandalwood Tan	N7818U	4176 127	1176 127
Dark Claret	K7886U	4176 131	1176 131
Burnished Gold	N8068U	4763 528	1763 528
Light Blue	K8149U	4763 529	1763 529
Dark Saddle	N8070U	4763 530	1763 530
Dark Green	N8071U	4763 531	1763 531
Saffron	K7889UH	4763 532	1763 532
Light Sandalwood	W8275	4763 533	1763 533
Light Platinum	W8274	4763 534	1763 534
Catalyst (Activator)	912S	4179 950	1179 950
Reducer	Y8485S	4179 145	1179 145
Retarder	8100S	4179 599	1179 599
Accelerator	189S	4179 951	
POLYURETHANE PRIMER (Dupont Imron)			
Wash Primer	B9287	4170 766	1179 766
Wash Primer Thinner	K1733	4179 452	1179 452
Acid Thinner	B9289	4179 403	1179 403

**PIPER AIRCRAFT
PA-28-236 DAKOTA
AIRPLANE PARTS CATALOG**

TABLE OF CONTENTS

FIGURE NUMBER	FIGURE TITLE	GRID NUMBER
1	View of Complete Airplane.....	1A11,2A11
SECTION I WING GROUP		
2	Wing Installation.....	1A13
3	Wing Leading Edge Assembly.....	1A18
4	Wing Trailing Edge Assembly.....	1A21
5	Aileron Assembly.....	1B1
6	Flap Assembly.....	1B4
SECTION II FUSELAGE GROUP		
7	Fuselage Assembly - Complete.....	1B7
8	Fuselage Upper Forward Cockpit Assembly.....	1B10
9	Fuselage Upper Center Cockpit Assembly.....	1B13
10	Fuselage Lower Forward Cockpit Assembly.....	1B17
11	Fuselage Lower Aft Cockpit Assembly.....	1B21
12	Fuselage Aft Section.....	1B24
13	Fuselage Cabin and Baggage Door Installation.....	1C4
14	Fuselage Enclosure Installation.....	1C9
SECTION III TAIL SURFACES GROUP		
15	Tail Surfaces Installation.....	1C13
16	Stabilator Assembly.....	1C17
17	Fin Assembly.....	1C20
18	Rudder Assembly.....	1C23
SECTION IV LANDING GEAR GROUP		
19	Nose Landing Gear Installation.....	1D2
20	Nose Gear Assembly.....	1D6
21	Nose Wheel Assembly (Cleveland).....	1D10
22	Nose Wheel Assembly (McCauley).....	1D13
23	Main Gear Installation.....	1D16
24	Main Wheel Assembly.....	1D20
24A	Main Wheel Assembly (Heavy Duty) (S/N 28-8111001 and up).....	1D23
25	Brake Assembly.....	1E2
26	Brake Assembly (Heavy Duty) (S/N 28-8111001 and up).....	1E5
27	Main and Nose Wheel Fairing Installation.....	1E8
28	Main Gear Strut Fairing Installation.....	1E11
29	Hand Brake Installation.....	1E14
30	Toe Brake Installation.....	1E17
31	Toe Brake Master Cylinder Assembly.....	1E20
SECTION V CABIN EQUIPMENT		
32	Cockpit Finishing Installation.....	1F1
33	Window Curtains Installation.....	1F8
34	Carpet Installation.....	1F11
35	Seats Installation.....	1F16
36	Vertically Adjustable Front Seat Assembly.....	1F21

**PIPER AIRCRAFT
PA-28-236 DAKOTA
AIRPLANE PARTS CATALOG**

TABLE OF CONTENTS

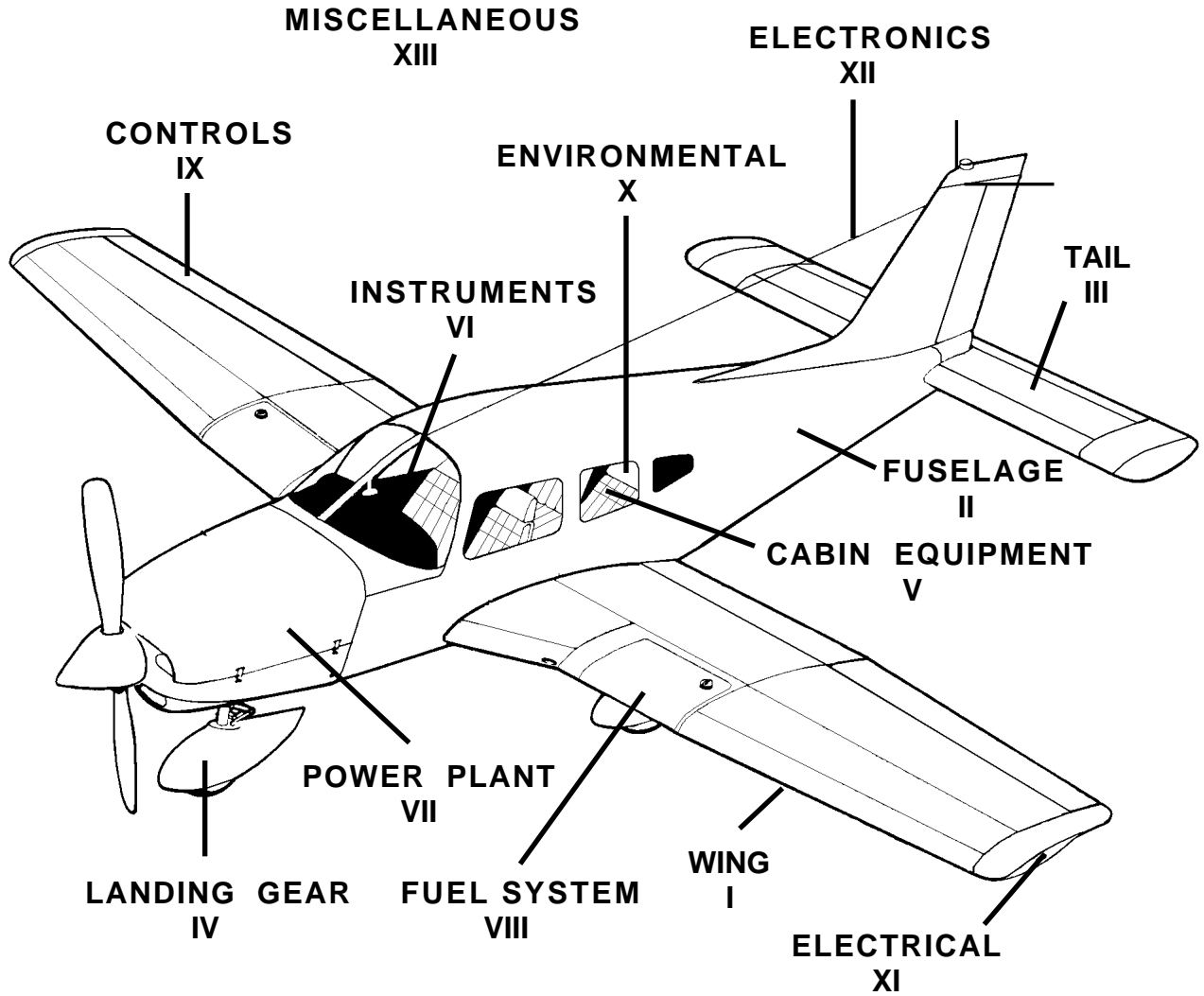
FIGURE NUMBER	FIGURE TITLE	GRID NUMBER
SECTION VI INSTRUMENTS GROUP		
37	Instrument Panel Installation.....	1G2
38	Vacuum System Installation.....	1G7
38a	Auxiliary Vacuum Pump System.....	1G10
39	Pitot Static System Installation.....	1G13
SECTION VII POWER PLANT GROUP		
40	Power Plant Installation.....	1G16
41	Engine Instrument Lines Installation.....	1G20
42	Engine Exhaust System Installation.....	1G23
43	Engine Baffle Installation.....	1H2
44	Engine Cowl Installation.....	1H5
45	Propeller Assembly (Hartzell).....	1H8
46	Engine Controls Installation	1H11
SECTION VIII FUEL SYSTEM GROUP		
47	Fuel System Installation.....	1H15
48	Fuel Tank Assembly.....	1H19
SECTION IX CONTROL SYSTEM GROUP		
49	Aileron Control Installation.....	1H22
50	Rudder Control Installation.....	1I1
51	Rudder Trim Mechanism Installation.....	1I4
52	Stabilator Control Installation.....	1I7
53	Stabilator Trim Installation.....	1I10
54	Flap Control Installation	1I14
55	Control Wheel Installation.....	1I18
56	Rudder Pedal Installation.....	1I22
SECTION X ENVIRONMENTAL GROUP		
57	Cabin Heat and Defroster Installation.....	1J1
58	Fresh Air Ventilation Installation.....	1J4
59	Air Conditioning Compressor, Refrigerant Lines and Alternator Installation.....	1J8
60	Air Conditioning Duct and Evaporator Installation.....	1J12
61	Air Conditioning Condenser Installation.....	1J15
SECTION XI ELECTRICAL SYSTEM GROUP		
62	Electrical System Installation	1J18
63	Instrument Panel Electrical Installation.....	1J22
64	Air Conditioning Electrical Installation.....	1K2
65	Battery Installation.....	1K5
66	External Power Supply Installation.....	1K8
67	Alternator Assembly and Installation(Chrysler).....	1K11
68	Alternator Assembly (Prestolite).....	1K15
69	Strobe Lights Installation.....	1K18

**PIPER AIRCRAFT
PA-28-236 DAKOTA
AIRPLANE PARTS CATALOG**

TABLE OF CONTENTS

FIGURE NUMBER	FIGURE TITLE	GRID NUMBER
SECTION XII ELECTRONICS GROUP		
70	Electric Trim Installation.....	2A13
70A	AutoFlite II Installation.....	2A16
70B	AutoControl IIIB Installation (S/N 28-7911001 to 28-8211060 incl.).....	2A19
70C	Century 21 AutoPilot Installation (S/N 28-8111019 and up).....	2A22
70D	King KAP 100/150 AutoPilot Installation(S/N 28-8311001 and up).....	2B1
71	Piper Automatic Locator (ELT) Installation (Communications Components Corp.).....	2B4
71A	Piper Automatic Locator (ELT) Installation (Narco Avionics).....	2B7
72	Encoder Installation (Narco - AR 500 & United - 5125-P3).....	2B10
73	Radio Antenna System and Static Wicks Installation.....	2B13
74	Audio Selector Assembly.....	2B16
75	Avionics Cooling Installation.....	2B19
	Radio Installation Drawings.....	2B23
SECTION XIII MISCELLANEOUS GROUP		
76	Placards and Exterior Stencils.....	2B24
	Optional Equipment Kits and Repair Kits.....	2C5
	NUMERICAL INDEX.....	2C6

PIPER AIRCRAFT
PA-28-236 DAKOTA
AIRPLANE PARTS CATALOG



**PIPER AIRCRAFT
PA-28-236 DAKOTA
AIRPLANE PARTS CATALOG**

**GRID 1A12
INTENTIONALLY LEFT BLANK**

PIPER AIRCRAFT
PA-28-236 DAKOTA
AIRPLANE PARTS CATALOG

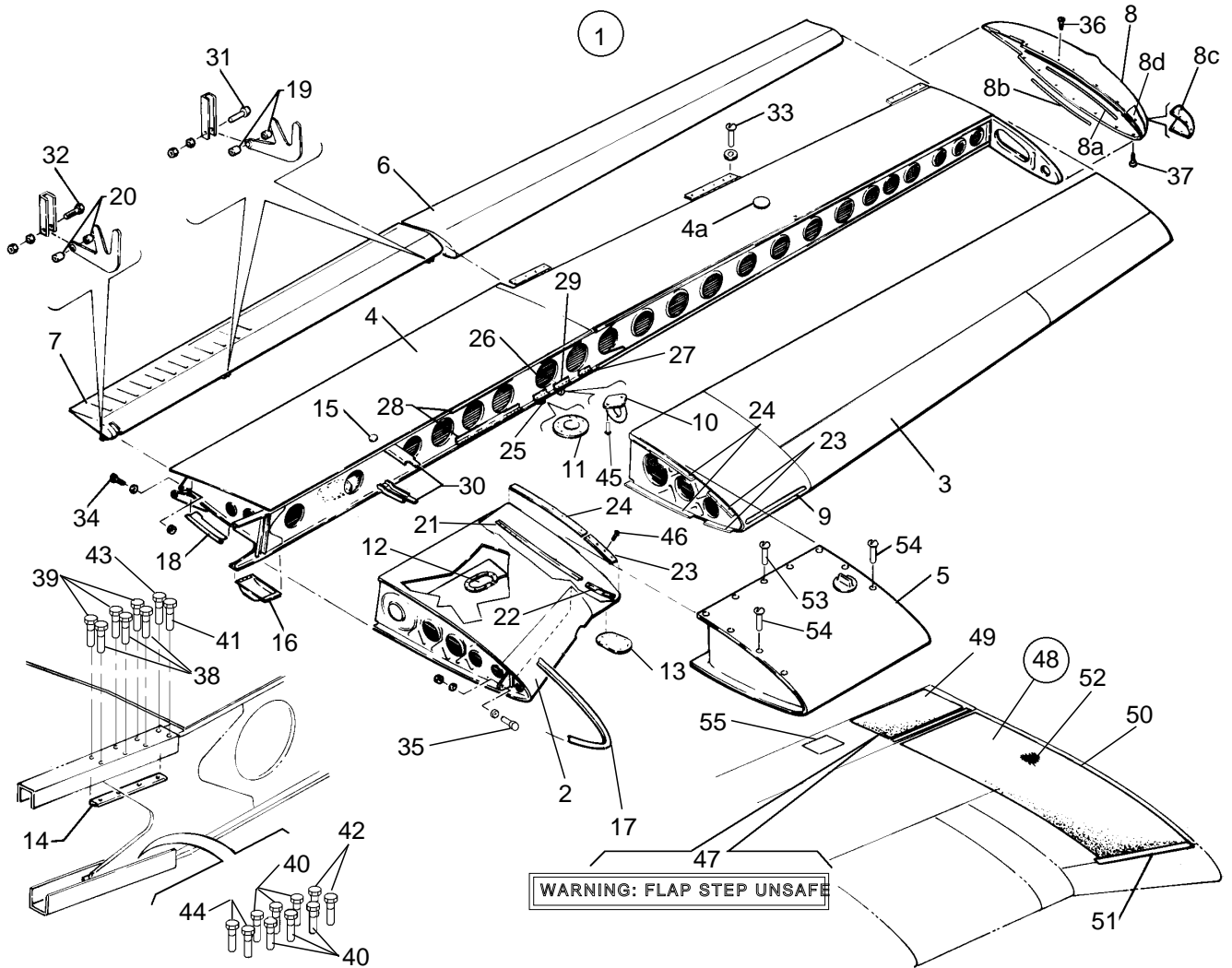


Figure 2. Wing Installation

Reissued: June 1, 1990

**PIPER AIRCRAFT
PA-28-236 DAKOTA
AIRPLANE PARTS CATALOG**

CODE EXPLANATIONS FOR FIGURE 2

- A - See Figure 3 for component parts.
- B - See Figure 4 for component parts.
- C - See Figure 48 for component parts.
- D - See Figure 5 for component parts.
- E - See Figure 6 for component parts.
- F - Used if navigation or strobe lights are not installed.
- G - Used if navigation or strobe lights are installed.
- H - This assembly includes brake lines, pitot lines (in left wing only), inspection cover plates and fuel lines.
- J - Complete kit required if replacing safety walk compound painted on wing.
- K - Serial number of aircraft must be supplied when ordering this part.
- L - Used if recognition lights are installed.

PIPER AIRCRAFT PA-28-236 DAKOTA AIRPLANE PARTS CATALOG

Figure and Index Number	Part Number	Code	Nomenclature	No. Req.	Serial Numbers Affected
2-	35950		DRAWING - Wing Installation		
-1	35950-920	H,K	WING ASSEMBLY - Left	1	
	35950-921	H,K	WING ASSEMBLY - Right	1	
-2	35950-926	A	* LEADING EDGE ASSEMBLY - Wing inboard, left	1	
	35950-927	A	* LEADING EDGE ASSEMBLY - Wing inboard, right	1	
-3	35630-928	A	* LEADING EDGE ASSEMBLY - Wing outboard, left	1	
	35630-929	A	* LEADING EDGE ASSEMBLY - Wing outboard, right	1	
-4	35950-972	B,K	* TRAILING EDGE ASSEMBLY - Wing aft section, left	1	
	35950-973	B,K	* TRAILING EDGE ASSEMBLY - Wing aft section, right	1	
-4a	453 966		* BUTTON - Plug (HS48172-K2215)	2	
-5	35716-08	C	TANK ASSEMBLY - Fuel, left	1	
	35716-09	C	TANK ASSEMBLY - Fuel, right	1	
-6	35640-24	D	AILERON ASSEMBLY - Left	1	
	35640-25	D	AILERON ASSEMBLY - Right	1	
-7	65591-00	E	FLAP ASSEMBLY - Left	1	
	65590-01	E	FLAP ASSEMBLY - Right	1	
-8	35641-12	F	TIP ASSEMBLY - Wing, left	1	28-7911001 thru 28-8111080
	35641-14	G	TIP ASSEMBLY - Wing, left	1	28-7911001 thru 28-8111080
	36739-08	F	TIP ASSEMBLY - Wing, left	1	28-8111081 and up
	36739-06	G	TIP ASSEMBLY - Wing, left	1	28-8111081 and up
	36739-20	L	TIP ASSEMBLY - Wing, left	1	28-8511001 and up
	35641-13	F	TIP ASSEMBLY - Wing, right	1	28-7911001 thru 28-8111080
	35641-15	G	TIP ASSEMBLY - Wing, right	1	28-7911001 thru 28-8111080
	36739-09	F	TIP ASSEMBLY - Wing, right	1	28-8111081 and up
	36739-07	G	TIP ASSEMBLY - Wing, right	1	28-8111081 and up
	36739-21	L	TIP ASSEMBLY - Wing, right	1	28-8511001 and up
-8a	35641-06		* STIFFENER - Wing tip, upper, left	1	
	35641-07		* STIFFENER - Wing tip, upper, right	1	
-8b	35641-08		* STIFFENER - Wing tip, lower, left	1	
	35641-09		* STIFFENER - Wing tip, lower, right	1	
-8c	36739-28	L	* LENS - Wing tip, left	1	28-8511001 and up
	36739-29	L	* LENS - Wing tip, right	1	28-8511001 and up
-8d	36806-02	L	SHIELD - Recognition light, left wing tip	1	28-8511001 and up
	36806-03	L	SHIELD - Recognition light, right wing tip	1	28-8511001 and up
-9	35802-03		STRIP - Stall	2	
-10	35692-02		RING - Tie down	2	
-11	35725-02		PAD - Jack	2	
-12	62109-00		COVER - Access hole	16	
-13	38118-05		COVER - Access hole	2	
-14	62121-00		SHIM - Wing attachment	1	
-15	63595-00		BUTTON ASSEMBLY - Plug, gear service access	1	
-16	63942-00		COVER - Wing bolt, left	1	
	63942-01		COVER - Wing bolt, right	1	
-17	65773-00		MOULDING - Wing root	2	
-18	67723-00		PLATE ASSEMBLY - Aft wing access, left	1	
	67723-01		PLATE ASSEMBLY - Aft wing access, right	1	
-19	63900-19		BUSHING - Flap hinge, center and outboard	8	
-20	63900-20		BUSHING - Flap hinge, inboard	4	
-21	96926-00		CHANNEL - Gang, bottom rear	2	
-22	96927-00		CHANNEL - Gang, bottom forward	2	
-23	96926-00		CHANNEL - Gang	6	
-24	406 942		CHANNEL - Gang (PS10062-2-7)	6	
-25	406 935		CHANNEL - Gang (PS10062-2-11)	2	
-26	35630-16		CHANNEL - Gang	2	
-27	38676-02		CHANNEL - Gang	2	
-28	35630-18		CHANNEL - Gang	4	
-29	66529-00		CHANNEL - Gang	2	
-30	62095-00		CHANNEL - Wing skin stiffener	4	

When ordering, always specify Part Number, Description, and Serial Number of Aircraft

Reissued: June 1, 1990

PIPER AIRCRAFT PA-28-236 DAKOTA AIRPLANE PARTS CATALOG

Figure and Index Number	Part Number	Code	Nomenclature	No. Req.	Serial Numbers Affected	
2-31	401 270		BOLT - (AN3-11A)	4		
	407 564		WASHER - (AN960-10)	4		
	404 887		NUT - (MS20365-1032C)	4		
-32	400 444		BOLT - (AN3-13A)	2		
	407 564		WASHER - (AN960-10)	2		
	404 887		NUT - (MS20365-1032C)	2		
-33	415 320		SCREW - (MS27039-1-10)	26		
	407 564		WASHER - (AN960-10)	26		
	404 887		NUT - (MS20365-1032C)	26		
-34	401 186		BOLT - (AN5-6A)	2	28-7911001 thru 28-8011137	
	402 915		BOLT - (NAS464P6LA6)	2	28-8011138 and up	
	407 566		WASHER - (AN960-516)	AR	28-7911001 thru 28-8011137	
	407 587		WASHER - (AN960-616L) (under head)	2	28-8011138 and up	
	407 567		WASHER - (AN960-616)	AR	28-8011138 and up	
	407 587		WASHER - (AN960-616L)	AR	28-8011138 and up	
	404 889		NUT - (MS20365-524C)	2	28-7911001 thru 28-8011137	
	404 532		NUT - (MS21042-6)	2	28-8011138 and up	
	-35	402 680		BOLT - (NAS1104-17)	2	
		407 565		WASHER - (AN960-416)	2	
407 585			WASHER - (AN960-416L)	2		
404 561			NUT - (MS21045-4)	2	28-7911001 thru 28-7911325	
404 530			NUT - (MS21042-4)	2	28-7911326 and up	
-36	410 054		SCREW - (MS24694-C5)	28		
	494-101		WASHER - (TIN-A3135SS-017-24A)	28		
	477 672		NUT - (PS10062-5-1)	28		
-37	415 535		SCREW - (MS35206-245)	4		
	407 583		WASHER - (AN960-8L)	4		
-38	402 366		BOLT - (AN176-15A)	6		
	407 567		WASHER - (AN960-616)	18		
	96352-03		WASHER	6		
-39	404 532		NUT - (MS21042-6)	6		
	402 349		BOLT - (AN176-14A)	6		
	407 567		WASHER - (AN960-616)	18		
-40	404 532		NUT - (MS21042-6)	6		
	402 349		BOLT - (AN176-14A)	12		
	96352-03		WASHER	12		
-41	407 567		WASHER - (AN960-616)	24		
	404 532		NUT - (MS21042-6)	12		
	402 366		BOLT - (AN176-15A)	2		
-42	407 567		WASHER - (AN960-616)	4		
	96352-03		WASHER	2		
	404 532		NUT - (MS21042-6)	2		
	402 349		BOLT - (AN176-14A)	4		
-43	96352-03		WASHER	4		
	407 567		WASHER - (AN960-616)	4		
	404 532		NUT - (MS21042-6)	4		
	402 349		BOLT - (AN176-14A)	2		
-44	407 567		WASHER - (AN960-616)	4		
	404 532		NUT - (MS21042-6)	2		
	402 349		BOLT - (AN176-14A)	4		
-45	96352-03		WASHER	8		
	404 532		NUT - (MS21042-6)	4		
-46	410 043		SCREW - (MS24694-S56)	2		
-47	415 309		SCREW - (MS27039-0809)	40		
-48	35664-02		PLACARD - Warning	1		
-49	763 848	J	KIT - Pressure sensitive wing walk installation	1		
-50	79174-04		* WING WALK - Safety, flap	1		
	79174-00		* WING WALK - Safety wing	1		

When ordering, always specify Part Number, Description, and Serial Number of Aircraft

**PIPER AIRCRAFT
PA-28-236 DAKOTA
AIRPLANE PARTS CATALOG**

Figure and Index Number	Part Number	Code	Nomenclature	No. Req.	Serial Numbers Affected
2-51	69736-02		* RETAINER - Wing walk	1	
-52	179 872		SAFETY WALK COMPOUND - Black (1 quart can)	AR	
-53	415 312		SCREW - (MS27039-0812)	90	
-54	415 309		SCREW - (MS27039-0809)	78	
-55	87341-04		PLACARD - No step	2	
-56	36806-02	L	SHIELD - Recognition Light, Left Wing Tip	1	85-11001 and up
	36806-03	L	SHIELD - Recognition Light, Right Wing Tip	1	85-11001 and up

When ordering, always specify Part Number, Description, and Serial Number of Aircraft

Reissued: June 1, 1990

PIPER AIRCRAFT
PA-28-236 DAKOTA
AIRPLANE PARTS CATALOG

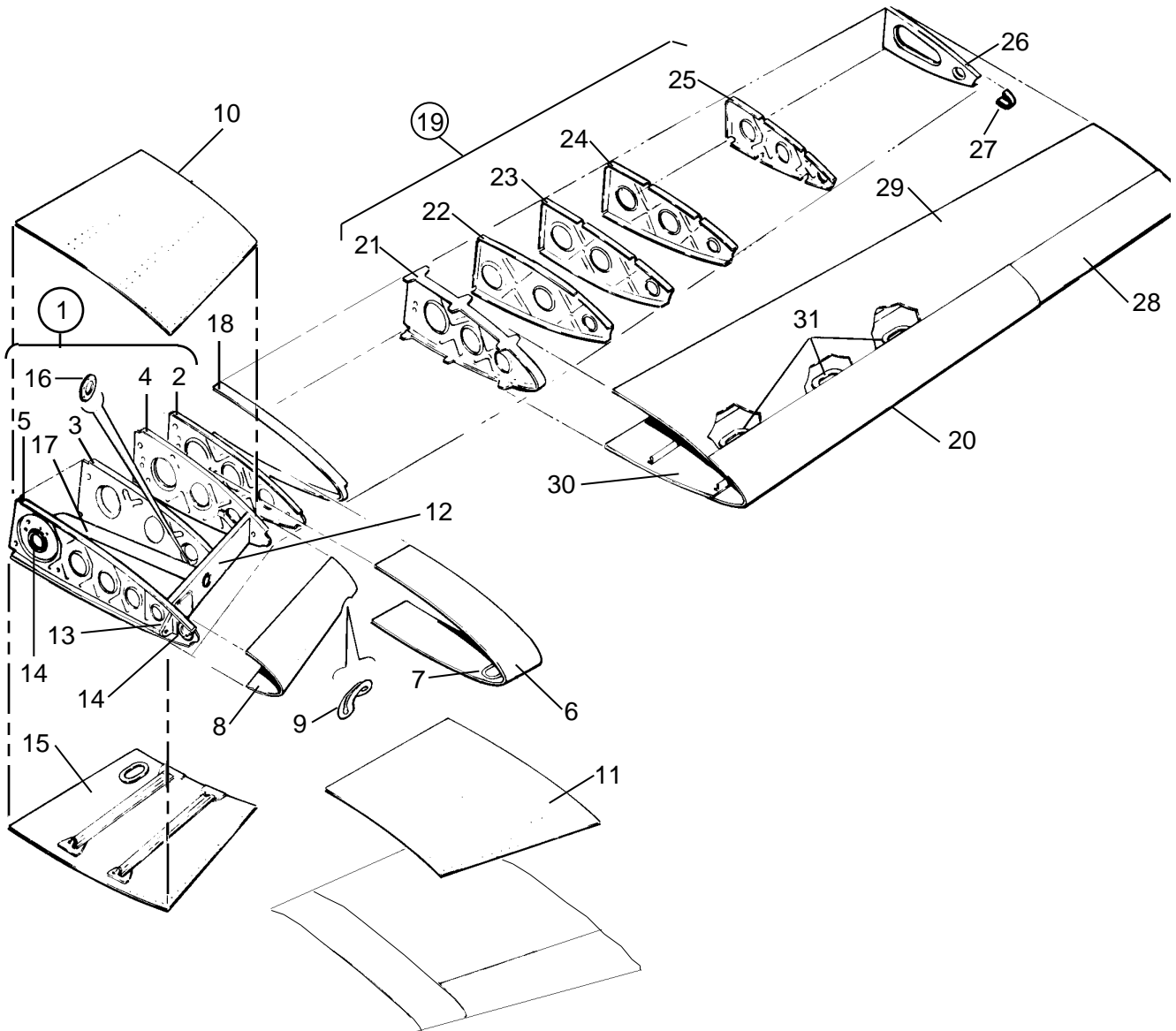


Figure 3. Wing Leading Edge Assembly

**PIPER AIRCRAFT
PA-28-236 DAKOTA
AIRPLANE PARTS CATALOG**

CODE EXPLANATIONS FOR FIGURE 3

**PIPER AIRCRAFT
PA-28-236 DAKOTA
AIRPLANE PARTS CATALOG**

Figure and Index Number	Part Number	Code	Nomenclature	No. Req.	Serial Numbers Affected
3-1	35950-926		LEADING EDGE ASSEMBLY - Wing inboard, left	1	
	35950-927		LEADING EDGE ASSEMBLY - Wing inboard, right	1	
-2	35642-00		* RIB - Wing nose, Sta. 57.00, left	1	
	35642-01		* RIB - Wing nose, Sta. 57.00, right	1	
-3	38218-00		* RIB ASSEMBLY - Sta. 36.92, left	1	
	38218-01		* RIB ASSEMBLY - Sta. 36.92, right	1	
-4	62021-00		* RIB - Wing nose, Sta. 49.25, left	1	
	62021-01		* RIB - Wing nose, Sta. 49.25, right	1	
-5	95639-02		* RIB - Wing nose, root, left	1	
	95639-03		* RIB - Wing nose, root, right	1	
-6	38118-00		* SKIN ASSEMBLY - Inboard wing	1	
-7	38118-03		** DOUBLER ASSEMBLY - Leading edge wing	1	
-8	68113-200		* SKIN ASSEMBLY - Leading edge, left	1	
	68113-201		* SKIN ASSEMBLY - Leading edge, right	1	
-9	68111-00		** DOUBLER - Air inlet	1	
-10	62087-05		* SKIN ASSEMBLY - Top inboard root, left	1	
-11	62061-05		* SKIN - Wingwalk, forward, right	1	
-12	66623-00		* SPAR - Leading edge, inboard, left	1	
	66623-01		* SPAR - Leading edge, inboard, right	1	
-13	66761-02		* FITTING ASSEMBLY - Forward spar, left	1	
	66761-03		* FITTING ASSEMBLY - Forward spar, right	1	
-14	68119-00		* GASKET - Air duct	1	
-15	38217-00		* SKIN ASSEMBLY - Bottom inboard root, left	1	
	38217-01		* SKIN ASSEMBLY - Bottom inboard root, right	1	
-16	66621-00		* DOUBLER - Forward spar	1	
-17	66620-00		* TUBE ASSEMBLY - Air duct	1	
-18	62091-02		* STRAP - Fuel tank attachment	1	
-19	35630-928		LEADING EDGE ASSEMBLY - Wing outboard, left	1	
	35630-929		LEADING EDGE ASSEMBLY - Wing outboard, right	1	
-20	35118-28		* SKIN - Forward, left	1	
	35118-29		* SKIN - Forward, right	1	
-21	35733-02		* RIB ASSEMBLY - Wing nose, Sta. 106.19, left	1	
	35733-03		* RIB ASSEMBLY - Wing nose, Sta. 106.19, right	1	
-22	35592-00		* RIB - Wing nose, Sta. 117.50, left	1	
	35592-01		* RIB - Wing nose, Sta. 117.50, right	1	
-23	35118-30		* RIB - Wing nose, Sta. 131.60, left	1	
	35118-31		* RIB - Wing nose, Sta. 131.60, right	1	
-24	35118-22		* RIB - Wing nose, Sta. 148.60, left	1	
	35118-23		* RIB - Wing nose, Sta. 148.60, right	1	
-25	35166-00		* RIB - Wing nose, Sta. 174.00, left	1	
	35166-01		* RIB - Wing nose, Sta. 174.00, right	1	
-26	35615-02		* RIB - Wing nose, Sta. 206.70, left	1	
	35615-03		* RIB - Wing nose, Sta. 206.70, right	1	
-27	35615-04		* STRAP - Skin attachment, Sta. 206.70, left	1	
	35615-05		* STRAP - Skin attachment, Sta. 206.70, right	1	
-28	35118-49		* SKIN - Forward, left	1	
	35118-47		* SKIN - Forward, right	1	
-29	35118-24		* SKIN - Aft, top, left	1	
	35118-25		* SKIN - Aft, top, right	1	
-30	35118-803		* SKIN ASSEMBLY - Aft, bottom, left	1	
	35118-804		* SKIN ASSEMBLY - Aft, bottom, right	1	
-31	95094-00		** DOUBLER - Cover plate attachment	3	

When ordering, always specify Part Number, Description, and Serial Number of Aircraft

PIPER AIRCRAFT
PA-28-236 DAKOTA
AIRPLANE PARTS CATALOG

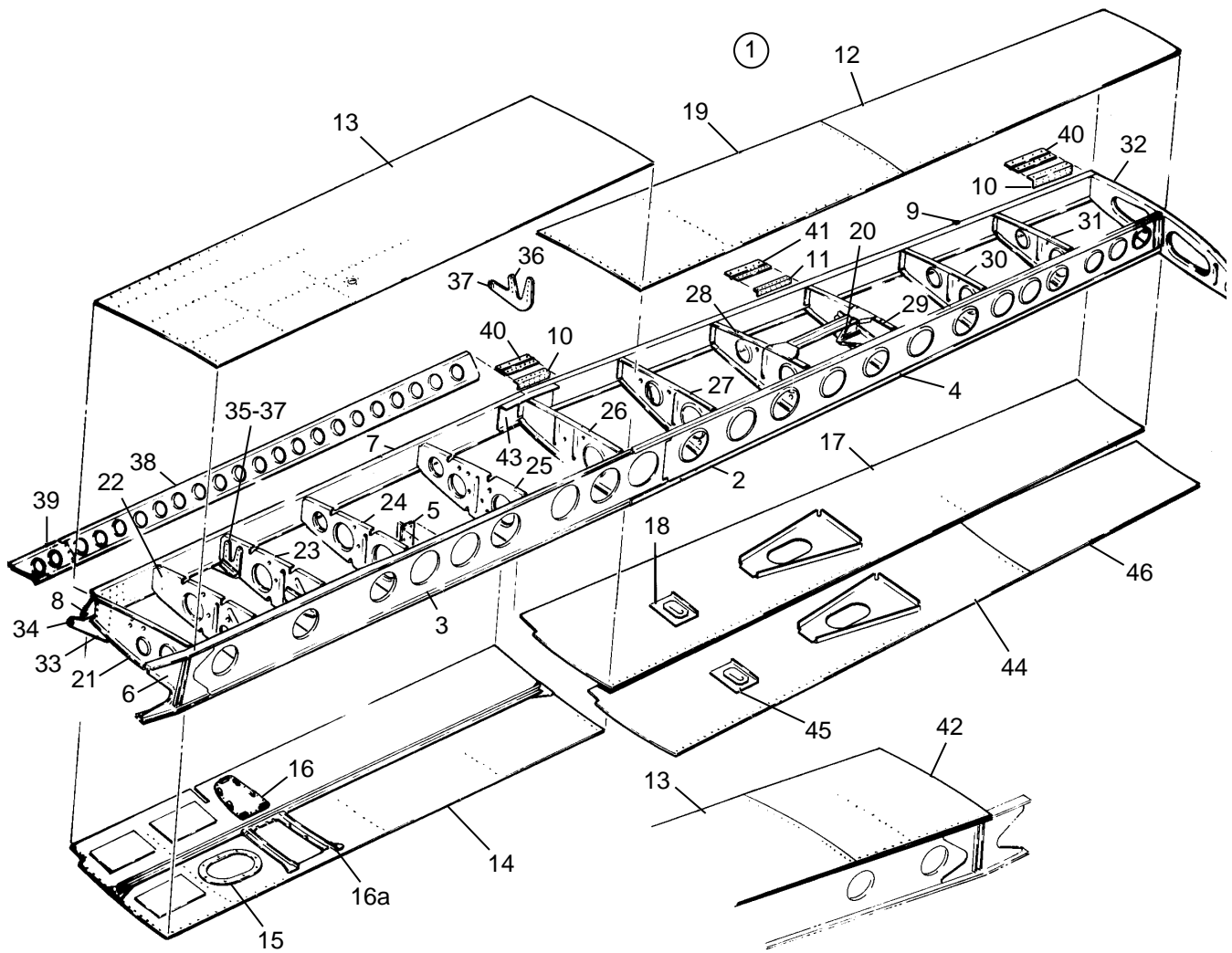


Figure 4. Wing Trailing Edge Assembly

Reissued: June 1, 1990

**PIPER AIRCRAFT
PA-28-236 DAKOTA
AIRPLANE PARTS CATALOG**

CODE EXPLANATIONS FOR FIGURE 4

PIPER AIRCRAFT PA-28-236 DAKOTA AIRPLANE PARTS CATALOG

Figure and Index Number	Part Number	Code	Nomenclature	No. Req.	Serial Numbers Affected
4-1	35950-972		TRAILING EDGE ASSEMBLY - Wing aft section, left	1	
	35950-973		TRAILING EDGE ASSEMBLY - Wing aft section, right	1	
-2	35168-18		* SPAR ASSEMBLY - Wing main, left	1	
	35168-19		* SPAR ASSEMBLY - Wing main, right	1	
-3	62073-02		** SPAR ASSEMBLY - Main inboard, left	1	
	62073-03		** SPAR ASSEMBLY - Main inboard, right	1	
-4	35168-16		** SPAR ASSEMBLY - Main outboard, left	1	
	35168-17		** SPAR ASSEMBLY - Main outboard, right	1	
-5	62079-00		** TEE - Landing gear attachment	1	
-6	35952-02		** DOUBLER - Left, forward and aft	2	
	35952-03		** DOUBLER - Right, forward and aft	2	
-7	35174-04		* SPAR ASSEMBLY - Wing aft, inboard, left	1	
	35174-05		* SPAR ASSEMBLY - Wing aft, inboard, right	1	
-8	66762-00		** PLATE - Aft spar	1	
-9	35632-02		* SPAR ASSEMBLY - Wing aft, outboard, left	1	
	35632-03		* SPAR ASSEMBLY - Wing aft, outboard, right	1	
-10	62105-00		* DOUBLER - Aft spar, rear	2	
-11	62105-02		* DOUBLER - Aft spar, rear	1	
-12	35603-20		* SKIN - Top outboard, left	1	
	35603-21		* SKIN - Top outboard, right	1	
-13	35420-04		* SKIN ASSEMBLY - Top inboard, left	1	
	35422-04		* SKIN ASSEMBLY - Top inboard, right	1	
-14	35421-06		* SKIN ASSEMBLY - Bottom inboard, left	1	
	35421-07		* SKIN ASSEMBLY - Bottom inboard, right	1	
-15	35362-00		** DOUBLER ASSEMBLY - Bottom inboard	1	
-16	37897-02		** DOUBLER ASSEMBLY - Bottom inboard	1	
-16a	65690-00		** DOUBLER - Fairing plate, left	1	
	65690-01		** DOUBLER - Fairing plate, right	1	
-17	35634-04		* SKIN ASSEMBLY - Bottom outboard, left	1	28-7911001 thru 28-8011092
	35634-05		* SKIN ASSEMBLY - Bottom outboard, right	1	28-7911001 thru 28-8011092
-18	35573-00		** DOUBLER ASSEMBLY - Pitot head, left	1	28-7911001 thru 28-8011092
-19	35603-26		* SKIN ASSEMBLY - Top center, left	1	
	35603-27		* SKIN ASSEMBLY - Top center, right	1	
-20	35731-00		** CHANNEL ASSEMBLY - Bellcrank support, upper left	1	
	35731-01		** CHANNEL ASSEMBLY - Bellcrank support, upper right	1	
-21	95636-00		* RIB - Sta. 24.24, left	1	
	95636-01		* RIB - Sta. 24.24, right	1	
-22	66597-00		* RIB - Sta. 36.22, left	1	
	66597-01		* RIB - Sta. 36.22, right	1	
-23	35378-00		* RIB ASSEMBLY - Sta. 49.25, left	1	
	35378-01		* RIB ASSEMBLY - Sta. 49.25, right	1	
-24	66599-00		* RIB ASSEMBLY - Sta. 64.59, left	1	
	66599-01		* RIB ASSEMBLY - Sta. 64.59, right	1	
-25	66598-00		* RIB - Sta. 86.03, left	1	
	66598-01		* RIB - Sta. 86.03, right	1	
-26	35616-00		* RIB - Sta. 106.19, left	1	
	35616-01		* RIB - Sta. 106.19, right	1	
-27	35617-00		* RIB - Sta. 123.15, left	1	
	35617-01		* RIB - Sta. 123.15, right	1	
-28	35618-00		* RIB - Sta. 140.09, left	1	
	35618-01		* RIB - Sta. 140.09, right	1	
-29	35619-04		* RIB ASSEMBLY - Sta. 157.00, left	1	
	35619-05		* RIB ASSEMBLY - Sta. 157.00, right	1	
-30	35620-00		* RIB - Sta. 174.00, left	1	
	35620-01		* RIB - Sta. 174.00, right	1	

When ordering, always specify Part Number, Description, and Serial Number of Aircraft

Reissued: June 1, 1990

**PIPER AIRCRAFT
PA-28-236 DAKOTA
AIRPLANE PARTS CATALOG**

Figure and Index Number	Part Number	Code	Nomenclature	No. Req.	Serial Numbers Affected
4-31	35621-00		* RIB - Sta. 190.90, left	1	
	35621-01		* RIB - Sta. 190.90, right	1	
-32	35637-00		* RIB - Sta. 207.65, left	1	
	35637-01		* RIB - Sta. 207.65, right	1	
-33	65898-00		* SUPPORT ASSEMBLY - Flap inboard, left	1	
	65898-01		* SUPPORT ASSEMBLY - Flap inboard, right	1	
-34	452 387		** BEARING - (KP3A)	1	
-35	65898-04		* SUPPORT ASSEMBLY - Flap	1	
-36	65898-07		* SUPPORT ASSEMBLY - Flap	1	
-37	452 387		** BEARING - (KP3A)	2	
-38	62129-04		* STIFFENER - Outboard, left	1	
	62129-03		* STIFFENER - Outboard, right	1	
-39	62129-08		* STIFFENER - Inboard, left	1	
	62129-07		* STIFFENER - Inboard, right	1	
-40	62371-08		* HINGE ASSEMBLY - Aileron	2	
-41	35636-00		* HINGE ASSEMBLY - Aileron	1	
-42	62061-04		* SKIN ASSEMBLY - Wing walk, right	1	
-43	35632-04		* DOUBLER - Aft spar, left	1	
	35632-05		* DOUBLER - Aft spar, right	1	
-44	35634-10		* SKIN ASSEMBLY - Bottom, center, left	1	28-8011093 and up
	35634-11		* SKIN ASSEMBLY - Bottom, center, right	1	28-8011093 and up
-45	35573-00		** DOUBLER ASSEMBLY - Pitot head, left	1	28-8011093 and up
-46	35634-14		* SKIN - Bottom, outboard, left	1	28-8011093 and up
	35634-15		* SKIN - Bottom, outboard, right	1	28-8011093 and up

When ordering, always specify Part Number, Description, and Serial Number of Aircraft

PIPER AIRCRAFT
PA-28-236 DAKOTA
AIRPLANE PARTS CATALOG

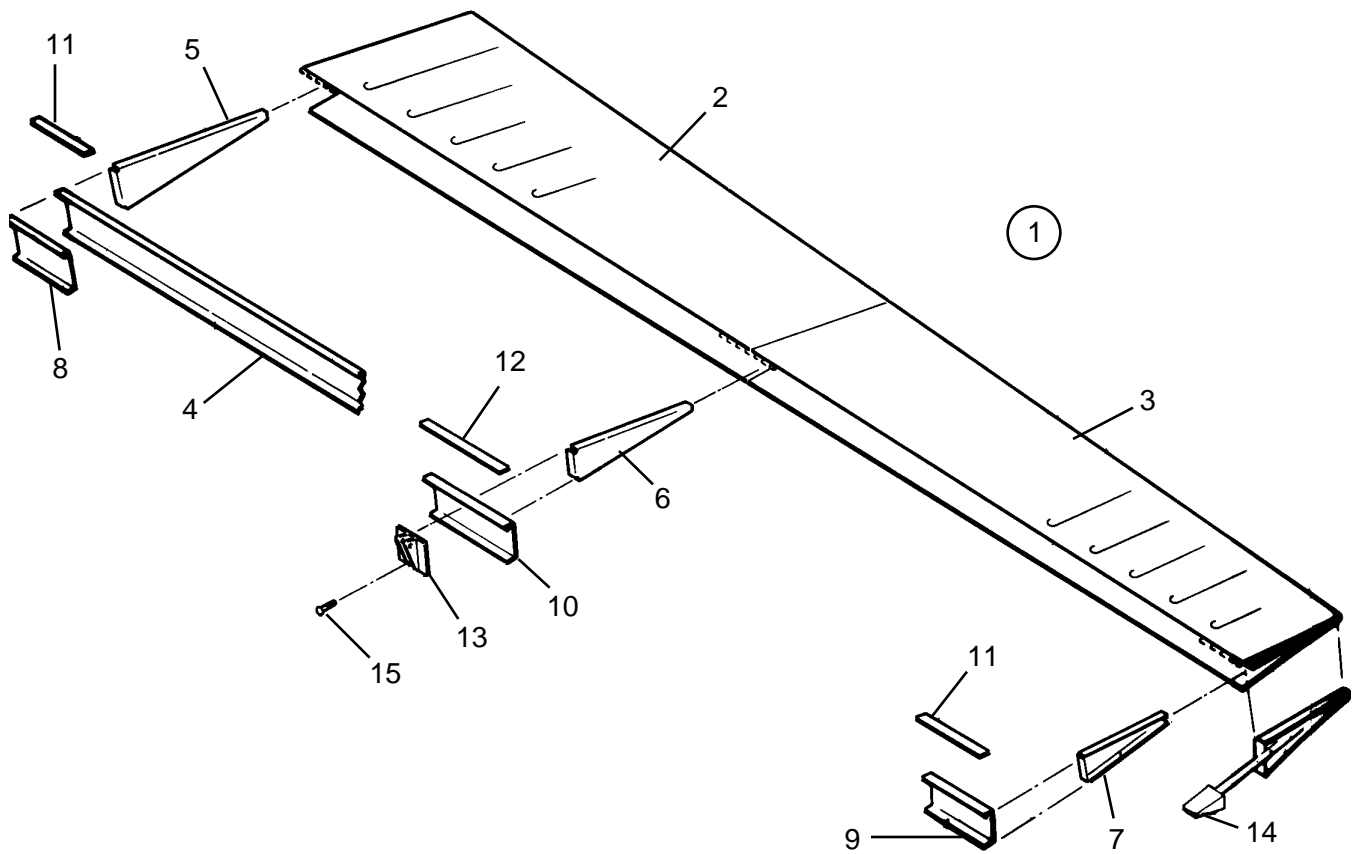


Figure 5. Aileron Assembly

Reissued: June 1, 1990

**PIPER AIRCRAFT
PA-28-236 DAKOTA
AIRPLANE PARTS CATALOG**

CODE EXPLANATIONS FOR FIGURE 5

PIPER AIRCRAFT PA-28-236 DAKOTA AIRPLANE PARTS CATALOG

Figure and Index Number	Part Number	Code	Nomenclature	No. Req.	Serial Numbers Affected
5-1	35640-24		AILERON ASSEMBLY - Left	1	
	35640-25		AILERON ASSEMBLY - Right	1	
-2	35640-02		* SKIN - Aileron, left inboard	1	
	35640-03		* SKIN - Aileron, right inboard	1	
-3	35640-04		* SKIN - Aileron, left outboard	1	
	35640-05		* SKIN - Aileron, right outboard	1	
-4	35640-06		* SPAR - Aileron, left	1	
	35640-07		* SPAR - Aileron, right	1	
-5	35640-08		* RIB - Aileron, left inboard	1	
	35640-09		* RIB - Aileron, right inboard	1	
-6	35640-10		* RIB - Aileron, left center	1	
	35640-11		* RIB - Aileron, right center	1	
-7	35640-12		* RIB - Aileron, left outboard	1	
	35640-13		* RIB - Aileron, right outboard	1	
-8	35640-14		* DOUBLER - Aileron, left inboard	1	
	35640-15		* DOUBLER - Aileron, right inboard	1	
-9	35640-16		* DOUBLER - Aileron, left outboard	1	
	35640-17		* DOUBLER - Aileron, right outboard	1	
-10	35640-18		* DOUBLER - Aileron, left center	1	
	35640-19		* DOUBLER - Aileron, right center	1	
-11	35640-20		* FILLER - Aileron	2	
-12	35640-21		* FILLER - Aileron	1	
-13	35640-22		* FITTING - Aileron	1	
-14	35770-02		* BALANCE WEIGHT ASSEMBLY - Left	1	
	35770-03		* BALANCE WEIGHT ASSEMBLY - Right	1	
-15	410 035		* SCREW - (MS24694-S53)	2	
	407 564		* WASHER - (AN960-10)	2	
	404 887		* NUT - (MS20365-1032C)	2	

When ordering, always specify Part Number, Description, and Serial Number of Aircraft

Reissued: June 1, 1990

PIPER AIRCRAFT
PA-28-236 DAKOTA
AIRPLANE PARTS CATALOG

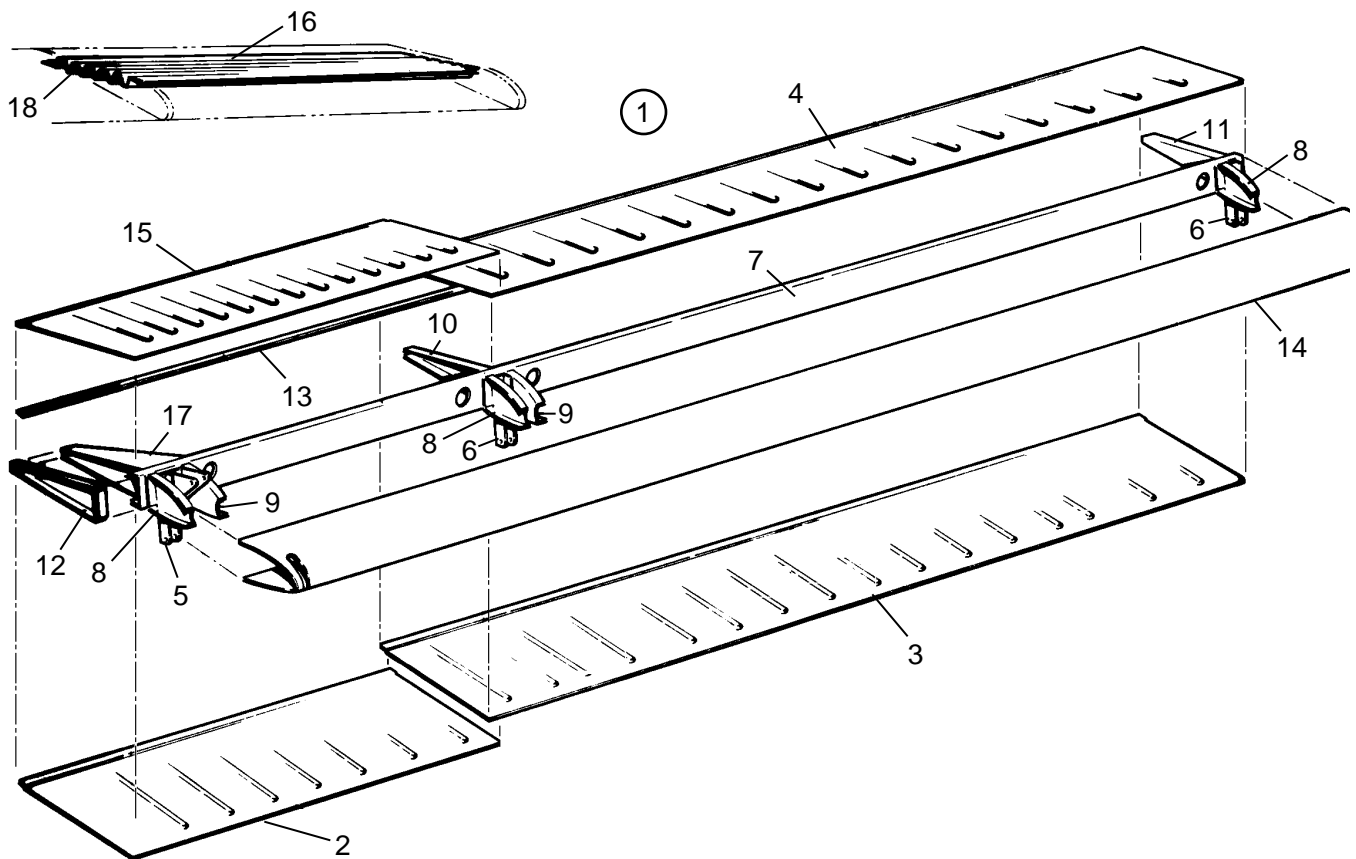


Figure 6. Flap Assembly

Reissued: June 1, 1990

**PIPER AIRCRAFT
PA-28-236 DAKOTA
AIRPLANE PARTS CATALOG**

CODE EXPLANATIONS FOR FIGURE 6

**PIPER AIRCRAFT
PA-28-236 DAKOTA
AIRPLANE PARTS CATALOG**

Figure and Index Number	Part Number	Code	Nomenclature	No. Req.	Serial Numbers Affected
6-1	65591-00		FLAP ASSEMBLY - Left	1	
	65590-01		FLAP ASSEMBLY - Right	1	
-2	65592-00		* SKIN - Flap, bottom, left, inboard	1	
	65592-01		* SKIN - Flap, bottom, right, inboard	1	
-3	65588-00		* SKIN - Flap, bottom, left and right, outboard	1	
-4	65589-00		* SKIN - Flap, top, left and right, outboard	1	
-5	62324-00		* HINGE - Flap, inboard, left	1	
	62324-01		* HINGE - Flap, inboard, right	1	
-6	65899-00		* BRACKET - Flap hinge, center and outboard	2	
-7	62327-00		* SPAR - Flap	1	
-8	62328-00		* RIB - Left flap	3	
	62328-01		* RIB - Right flap	3	
-9	62328-01		* RIB - Left flap	2	
	62328-00		* RIB - Right flap	2	
-10	62332-02		* RIB - Flap, left, wing, Sta. 49.00	1	
	62332-00		* RIB - Flap, right, wing Sta. 49.00	1	
-11	62330-00		* RIB - Flap, left	1	
	62330-01		* RIB - Flap, right	1	
-12	62331-00		* RIB - Flap, left, inboard	1	
	62331-01		* RIB - Flap, right, inboard	1	
-13	62320-03		* STRIP - Flap	1	
-14	65586-04		* SKIN - Flap, left, nose	1	
	65586-05		* SKIN - Flap, right, nose	1	
-15	65587-00		* SKIN - Flap, top, left, inboard	1	
	65594-01		* SKIN - Flap, top, right, inboard	1	
-16	65593-01		* CORRUGATION - Flap, top, right, inboard	1	
-17	62336-00		* DOUBLER ASSEMBLY - Left	1	
	62336-01		* DOUBLER ASSEMBLY - Right	1	
-18	65595-01		* ZEE - Flap, inboard right	1	

When ordering, always specify Part Number, Description, and Serial Number of Aircraft

PIPER AIRCRAFT
PA-28-236 DAKOTA
AIRPLANE PARTS CATALOG

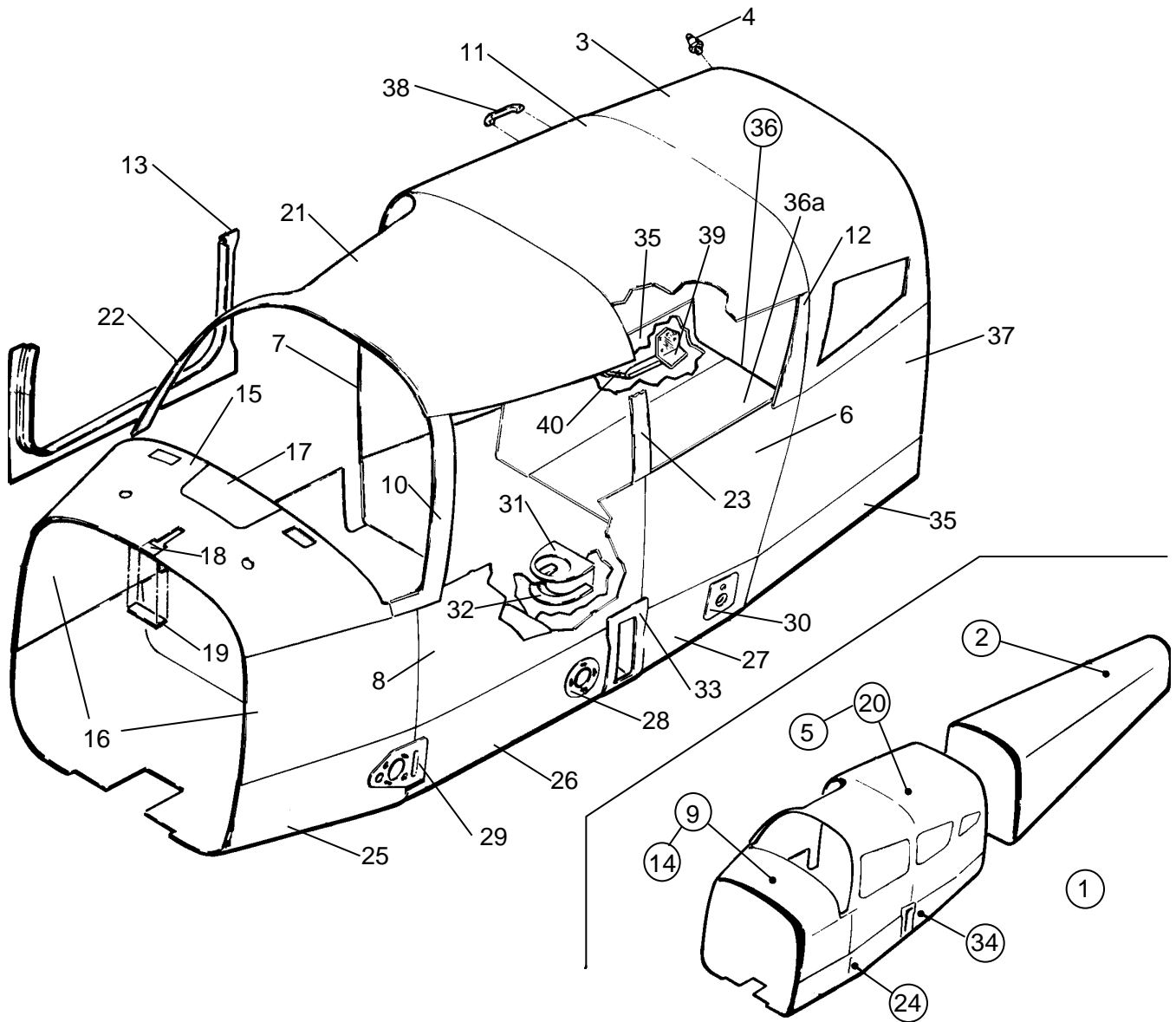


Figure 7. Fuselage Assembly Complete

Reissued: June 1, 1990

**PIPER AIRCRAFT
PA-28-236 DAKOTA
AIRPLANE PARTS CATALOG**

CODE EXPLANATIONS FOR FIGURE 7

- A - Used if air conditioning is installed.
- B - See Figure 12 for component parts.
- C - See Figure 8 for balance of component parts.
- D - See Figure 9 for balance of component parts.
- E - See Figure 10 for balance of component parts.
- F - See Figure 11 for balance of component parts.
- G - When ordering for 1979 models, specify with or without provisions for airconditioning. When ordering for 1980 models and up, specify if air conditioning or fresh air ventilation system is installed.
- H - Serial number of aircraft must be supplied when ordering this part.

PIPER AIRCRAFT PA-28-236 DAKOTA AIRPLANE PARTS CATALOG

Figure and Index Number	Part Number	Code	Nomenclature	No. Req.	Serial Numbers Affected
7-	76470		DRAWING - Fuselage Assembly (complete)		
-1	76470-02	G	FUSELAGE ASSEMBLY	1	
-2	76470-924	B,G	* AFT SECTION - Fuselage	1	
-3	79577-900		* SKIN - Cockpit, top rear	1	
-4	487 674		* STUD - Fastener (XX-16362 x 3/8)	1	
-5	76470-911		* COCKPIT ASSEMBLY - Fuselage	1	
-6	76476-900		** SKIN - Cockpit, left side	1	
-7	76476-901		** SKIN - Cockpit, right side	1	
-8	76474-900		** SKIN - Cockpit, left side	1	
-9	76470-913		** UPPER COCKPIT ASSEMBLY - Fuselage	1	
-10	76255-00		*** SKIN - Windshield trim, left side	1	
-11	79573-901		*** SKIN - Upper cockpit, top center	1	
-12	76297-00		*** SKIN ASSEMBLY - Window trim, left side	1	
	76297-01		*** SKIN ASSEMBLY - Window trim, right side	1	
-13	76467-02		*** PAN - Door trim, right side	1	
-14	76470-914	C,H	*** UPPER COCKPIT ASSEMBLY - Forward	1	
-15	79569-901		**** SKIN - Forward upper cockpit, top	1	
-16	79563-905		**** SKIN - Cockpit, left front	1	
	79563-901		**** SKIN - Cockpit, right front	1	
-17	78112-05		**** COVER - Cowl deck	1	
-18	62507-00		**** FILLER - Forward upper cockpit, top	1	
-19	68817-50		**** DOUBLER - Forward upper cockpit, top	1	
-20	76470-910	D	*** UPPER COCKPIT ASSEMBLY - Center	1	
-21	79576-901		**** SKIN - Upper cockpit, top front	1	
-22	79561-03		**** SKIN - Windshield trim, right side	1	
-23	76256-00		**** SKIN - Window trim, left side	1	
	76257-00		**** SKIN - Window trim, right side	1	
-24	76470-912	E	** LOWER COCKPIT ASSEMBLY - Fuselage	1	
-25	79582-902		*** SKIN - Lower cockpit, front	1	
-26	79585-902		*** SKIN - Lower cockpit, center front	1	
-27	79578-901		*** SKIN - Lower cockpit, center rear	1	
-28	68539-00		*** DOUBLER ASSEMBLY - Lower cockpit	2	
-29	68540-00		*** DOUBLER ASSEMBLY - Lower cockpit, left	1	
	68540-01		*** DOUBLER ASSEMBLY - Lower cockpit, right	1	
-30	62549-00		*** DOUBLER ASSEMBLY - Lower cockpit	2	
-31	65556-00		*** DOUBLER ASSEMBLY - Lower cockpit (with 4" hole)	1	
-32	66965-00		*** SCOOP - Cabin air exhaust	1	
-33	62541-00		*** DOUBLER - Lower cockpit, left	1	
	62541-01		*** DOUBLER - Lower cockpit, right	1	
-34	76470-907	F	*** LOWER COCKPIT ASSEMBLY - Aft	1	
-35	79580-900		**** SKIN - Lower cockpit, left rear	1	
	79580-901		**** SKIN - Lower cockpit, right rear	1	
-36	76470-963		**** SKIN ASSEMBLY - Lower cockpit, center	1	
-36a	79581-900		***** SKIN - Lower cockpit, center	1	
-37	76475-900		* SKIN - Cockpit, left rear	1	
-38	481 772		* HANDLE - Upper cockpit (N12865)	1	
-39	65384-00		STEP ASSEMBLY - Fuselage	1	
-40	65431-00		* STRIP - Safety	1	

When ordering, always specify Part Number, Description, and Serial Number of Aircraft

Reissued: June 1, 1990

PIPER AIRCRAFT
PA-34-200 SENECA
AIRPLANE PARTS CATALOG

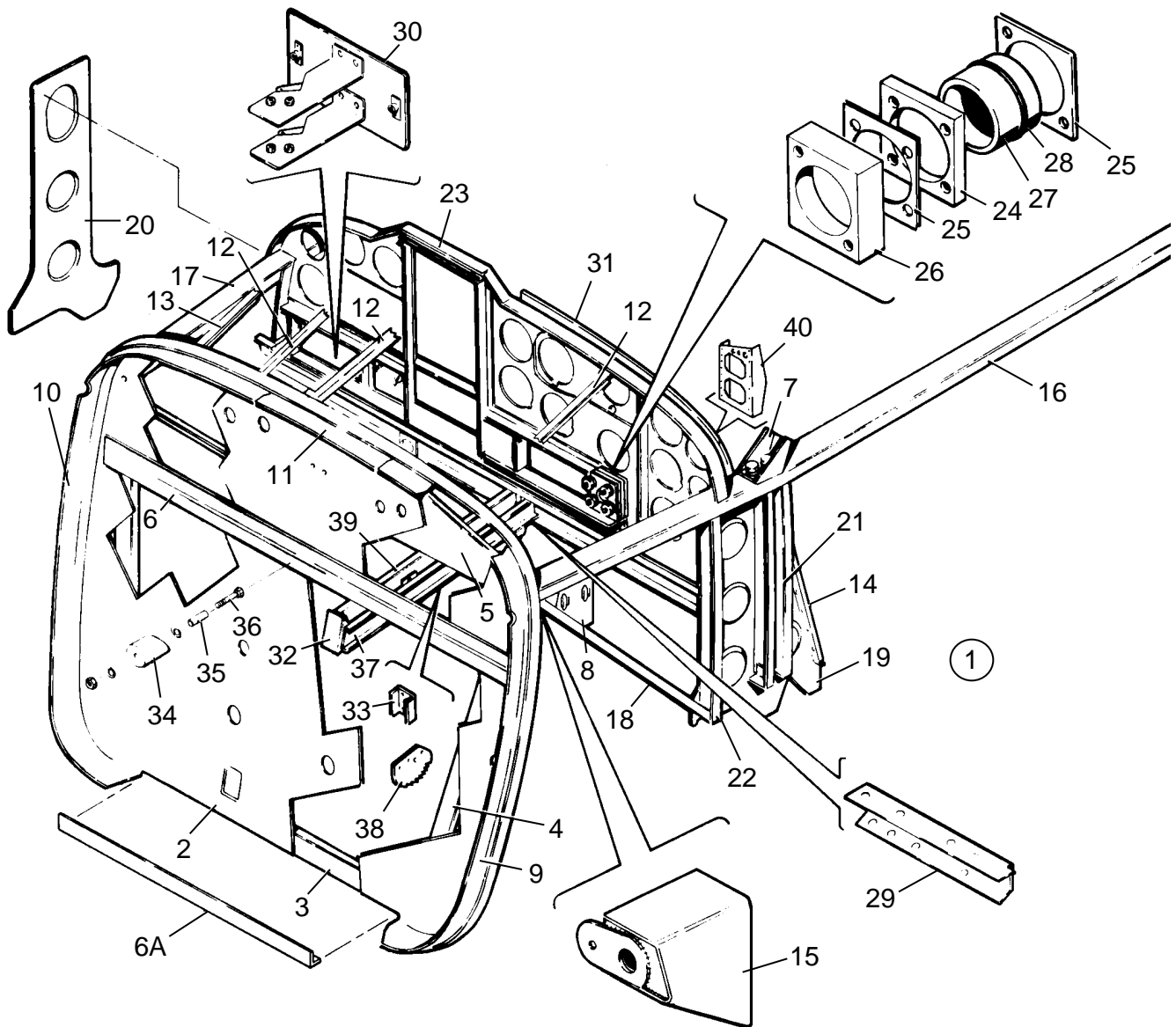


Figure 8. Fuselage Upper Forward Cockpit Assembly

**PIPER AIRCRAFT
PA-28-236 DAKOTA
AIRPLANE PARTS CATALOG**

CODE EXPLANATIONS FOR FIGURE 8

- A - Serial number of aircraft must be supplied when ordering this part.
- B - Used if Century 21 AutoPilot is installed.
- C - Used if King KAP 100/150 Autopilot is installed.

PIPER AIRCRAFT PA-28-236 DAKOTA AIRPLANE PARTS CATALOG

Figure and Index Number	Part Number	Code	Nomenclature	No. Req.	Serial Numbers Affected
8-1	76470-914	A	UPPER COCKPIT ASSEMBLY - Forward	1	
-2	69250-04		* FRAME ASSEMBLY - Firewall	1	
-3	62438-00		** CHANNEL - Upper cockpit assembly, firewall	1	
-4	63436-00		** CHANNEL - Upper cockpit firewall, left	1	
	63436-01		** CHANNEL - Upper cockpit firewall, right	1	
-5	67266-02		** BEAM - Upper cockpit, firewall	1	
-6	63423-04		** CHANNEL ASSEMBLY - Toe brake reinforcement	1	
-6a	63285-00		** ANGLE - Firewall	1	
-7	79553-00		* FITTING - Upper forward cockpit, Sta. 73.00, left	1	
	79553-01		* FITTING - Upper forward cockpit, Sta. 73.00, right	1	
-8	79655-02		* PLATE ASSEMBLY - Voltage regulator support, left	1	28-7911001 thru 28-8011161
	39769-02		* PLATE ASSEMBLY - Voltage regulator support, left	1	28-8111001 and up
-9	79795-04		* FLANGE - Nose cowl attaching, left	1	
-10	79795-03		* FLANGE - Nose cowl attaching, right	1	
-11	79795-02		* FLANGE - Nose cowl attaching, top	1	
-12	67259-02		* ANGLE - Stiffener, upper forward cockpit	2	
-13	67258-00		* ANGLE - Stiffener, upper forward cockpit	1	
-14	76137-02		* CHANNEL - Sta. 73.04	1	
-15	79739-02		* FITTING - Engine mount center, left	1	
	79739-03		* FITTING - Engine mount center, right	1	
-16	76489-02		* LONGERON - Upper, left	1	
-17	62473-02		* LONGERON - Upper, right, front	1	
	62473-03		* LONGERON - Upper, right, front	1	
-18	62485-00		* CHANNEL - Left	1	
	62485-01		* CHANNEL - Right	1	
-19	76136-00		* WEB - Fuselage, left side	1	
-20	62499-02		* WEB ASSEMBLY - Fuselage, right side	1	
-21	62653-06		* FRAME ASSEMBLY - Upper forward cockpit, left	1	
-22	62674-03		* ZEE - Upper forward cockpit, left	1	
	62674-01		* ZEE - Upper forward cockpit, right	1	
-23	79329-02		PANEL ASSEMBLY - Instrument	1	28-7911001 thru 28-8111018
	79329-07		PANEL ASSEMBLY - Instrument	1	28-8111019 and up
-24	68272-02		* PLATE - Control wheel	2	
-25	68272-03		* PLATE - Control wheel	4	
-26	68272-04		* PLATE - Control wheel	2	
-27	68273-02		* BUSHING - Control wheel	2	
-28	484 792		* "O" RING - Control wheel (MS28775-218)	2	
-29	67125-00		* CHANNEL - Hand brake	1	
-30	79873-03		* CONTROL ASSEMBLY - Heat and defrost	1	
-31	79567-03	B	PANEL - Instrument, upper left	1	28-8111019 and up
	39875-02	C	PANEL - Instrument, upper left	1	28-8311001 and up
-32	67139-00		CHANNEL - Brake support, forward	1	
-33	89300-02		CHANNEL ASSEMBLY - Brake support, aft	1	
-34	63927-00		BUMPER - Tee bar	1	
-35	63900-64		BUSHING - Tee bar bumper	1	
-36	400 444		BOLT - (AN3-13A)	1	
	407 564		WASHER - (AN960-10)	1	
	404 887		NUT - (MS20365-1032C)	1	
-37	67137-00		CHANNEL ASSEMBLY - Brake support, left	1	
-38	63354-00		* RATCHET - Brake handle	1	
-39	67138-03		CHANNEL ASSEMBLY - Brake support, right	1	
-40	39876-02		DOUBLER - Instrument panel, upper left	1	28-8311001 and up

When ordering, always specify Part Number, Description, and Serial Number of Aircraft

PIPER AIRCRAFT
PA-28-236 DAKOTA
AIRPLANE PARTS CATALOG

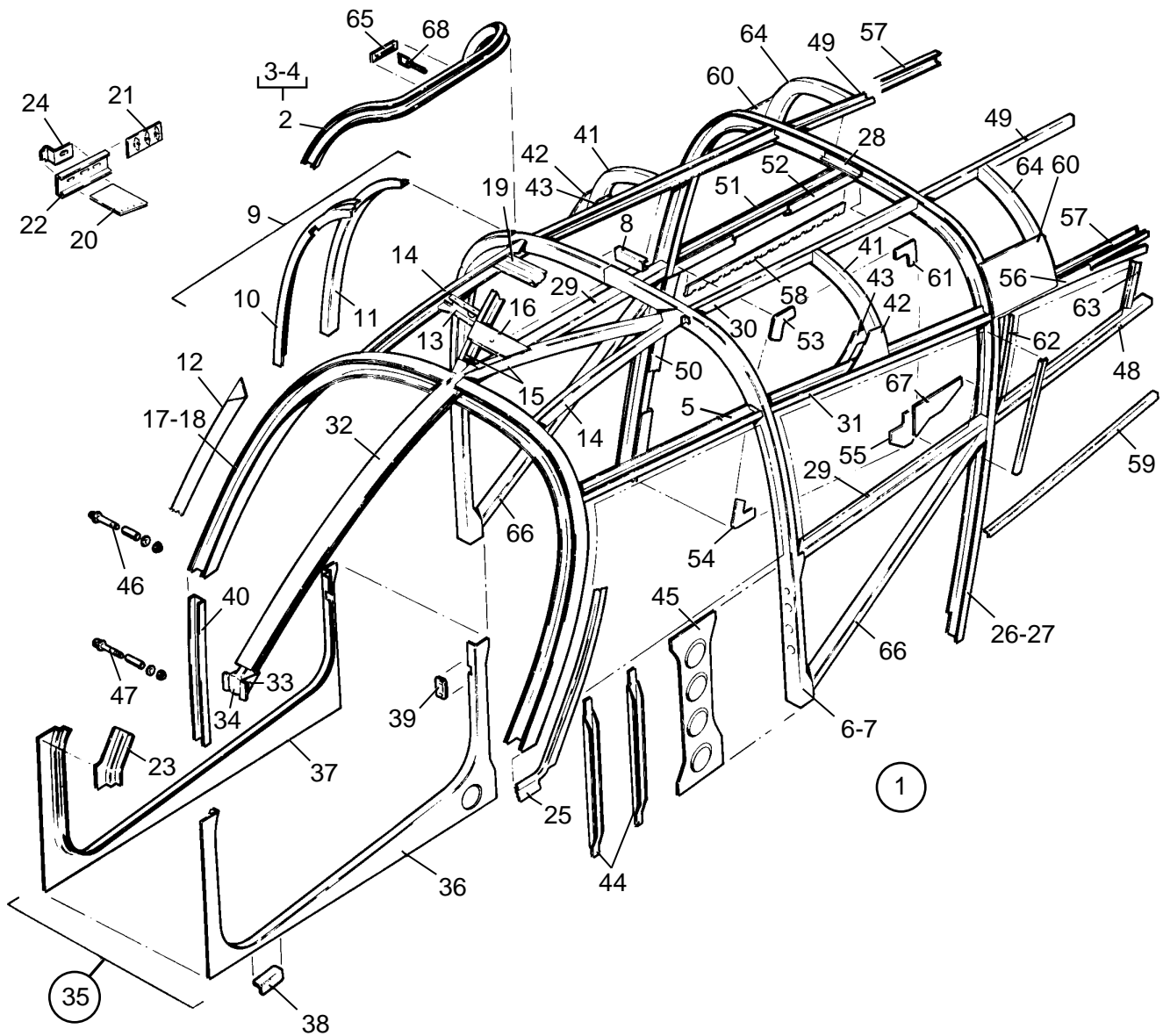


Figure 9. Fuselage Upper Center Cockpit Assembly

Reissued: June 1, 1990

**PIPER AIRCRAFT
PA-28-236 DAKOTA
AIRPLANE PARTS CATALOG**

CODE EXPLANATIONS FOR FIGURE 9

A - Used if 0.250 thick sound reduction windshield is installed.

PIPER AIRCRAFT PA-28-236 DAKOTA AIRPLANE PARTS CATALOG

Figure and Index Number	Part Number	Code	Nomenclature	No. Req.	Serial Numbers Affected
9-1	76470-910		UPPER COCKPIT ASSEMBLY - Center	1	
-2	79561-900		* PAN ASSEMBLY - Upper center	1	
-3	79561-09		** PAN - Outer	1	
-4	79561-10		** PAN - Inner	1	
-5	76132-03		* CHANNEL - Left front window, top	1	
-6	62426-06		* FRAME ASSEMBLY - Fuselage, Sta. 108.16	1	
-7	62427-00		** CHANNEL - Fuselage frame, left	1	
	62427-02		** CHANNEL - Fuselage frame, right	1	
-8	62429-00		** CHANNEL - Splice plate	1	
-9	79561-903		* PAN ASSEMBLY - Side	1	
-10	79561-08		** PAN - Inner	1	
-11	79561-07		** PAN - Outer	1	
-12	79561-04		* JAMB - Door, forward	1	
-13	63038-02		* CHANNEL - Support	1	
-14	76140-03		* CHANNEL - Upper center cockpit, left	1	
	76140-04		* CHANNEL - Upper center cockpit, right	1	
-15	66969-02		* CHANNEL - Upper center fuselage, left	1	
	66969-03		* CHANNEL - Upper center fuselage, right	1	
-16	79161-00		* DOUBLER - Antenna	1	
-17	76468-00		* FRAME ASSEMBLY - Canted fuselage, Sta. 85.60	1	
-18	76468-02		** CHANNEL - Left	1	
	76468-03		** CHANNEL - Right	1	
-19	76239-00		* CHANNEL - Upper cockpit	1	
-20	76365-00		* PLATE - Door latch	1	
-21	69738-00		* PLATE ASSEMBLY - Door latch	1	
-22	69740-02		* CHANNEL - Door latch	1	
-23	76467-04		* CHANNEL - Door frame splice	1	
-24	69739-00		* CLIP - Door latch	1	
-25	69891-10		RETAINER - Windshield, left, upper	1	
	69891-12	A	RETAINER - Windshield, left, upper	1	
	69891-02		RETAINER - Windshield, left, lower	1	
	69891-04	A	RETAINER - Windshield, left, lower	1	
	69891-11		RETAINER - Windshield, right, upper	1	
	69891-13	A	RETAINER - Windshield, right, upper	1	
	69891-03		RETAINER - Windshield, right, lower	1	
	69891-05	A	RETAINER - Windshield, right, lower	1	
-26	62412-02		FRAME ASSEMBLY - Fuselage, Sta. 128.737, upper	1	
-27	62410-00		* CHANNEL - Upper frame, left	1	
	62410-01		* CHANNEL - Upper frame, right	1	
-28	62430-00		* CHANNEL - Splice plate	1	
-29	65572-00		LONGERON - Upper center cockpit, left	1	
	65572-01		LONGERON - Upper center cockpit, right	1	
-30	62477-00		CHANNEL - Upper center cockpit, left	1	
	62477-01		CHANNEL - Upper center cockpit, right	1	
-31	67262-02		CHANNEL - Upper center cockpit, left	1	
	67262-03		CHANNEL - Upper center cockpit, right	1	
-32	62509-03		HAT ASSEMBLY - Windshield	1	
	62509-04	A	HAT ASSEMBLY - Windshield	1	
-33	62505-00		* BRACKET - Windshield	1	
-34	62423-00		* FITTING - Upper engine mount	1	
-35	76467-00		PAN ASSEMBLY - Lower, upper cockpit	1	
-36	76467-03		* PAN - Inboard	1	
-37	76467-02		* PAN - Outboard	1	
-38	62656-00		* ANGLE ASSEMBLY - Door holder	1	
-39	79639-02		* PLATE - Door latch	1	
-40	62483-02		CHANNEL - Right door, front, Sta. 72.60	1	
-41	99690-00		CHANNEL - Upper cockpit, left	1	
	99690-01		CHANNEL - Upper cockpit, right	1	

When ordering, always specify Part Number, Description, and Serial Number of Aircraft

Reissued: June 1, 1990

PIPER AIRCRAFT PA-28-236 DAKOTA AIRPLANE PARTS CATALOG

Figure and Index Number	Part Number	Code	Nomenclature	No. Req.	Serial Numbers Affected
9-42	99692-00		DOUBLER - Shoulder harness, left	1	
	99692-01		DOUBLER - Shoulder harness, right	1	
-43	99741-00		GUSSET - Headliner attachment, left	1	
	99741-01		GUSSET - Headliner attachment, right	1	
-44	99421-00		SUPPORT - Front, left	2	
-45	62644-00		WEB - Upper center fuselage, left	1	
-46	402 057		BOLT - Eye, upper door hinge attachment (AN44-17A)	1	
	407 586		WASHER - (AN960-516L)	1	
	404 837		NUT - (MS20364-524C)	1	
	63900-47		BUSHING - Upper door hinge	1	
-47	402 057		BOLT - Eye, upper door hinge attachment (AN44-17A)	1	
	407 586		WASHER - (AN960-516L)	1	
	404 837		NUT - (MS20364-524C)	1	
	63900-46		BUSHING - Lower door hinge	1	
-48	62637-00		CHANNEL - Fuselage rear, left	1	
-49	62639-00		CHANNEL - Upper center cockpit, left	1	
	62639-01		CHANNEL - Upper center cockpit, right	1	
-50	62636-00		CHANNEL - Baggage door frame, front	1	
-51	62635-00		CHANNEL - Baggage door frame, top, inner	1	
-52	62634-00		CHANNEL - Baggage door frame, top, outer	1	
-53	62632-00		GUSSET - Baggage door frame	1	
-54	62633-00		GUSSET - Baggage door frame, bottom, front	1	
-55	62571-00		GUSSET - Baggage door frame, bottom, rear	1	
-56	67267-00		CHANNEL - Support, left	1	
	67267-01		CHANNEL - Support, right	1	
-57	67291-00		STRINGER - Upper center cockpit, left	1	
	67291-01		STRINGER - Upper center cockpit, right	1	
-58	62419-11		HINGE HALF - Baggage door	1	
-59	62677-00		STIFFENER - Left side, rear	1	
-60	99693-00		DOUBLER - Shoulder harness, rear	2	
-61	76279-00		GUSSET - Baggage door frame, top, rear	1	
-62	76261-00		ANGLE - Support, left	1	
	76261-01		ANGLE - Support, right	1	
-63	76262-00		ANGLE - Support, left	1	
-64	99691-00		CHANNEL - Upper cockpit, rear, left	1	
	99691-01		CHANNEL - Upper cockpit, rear, right	1	
-65	79234-00		PLATE - Door latch	1	
-66	65570-00		CHANNEL - Upper center cockpit, left	1	
	65570-01		CHANNEL - Upper center cockpit, right	1	
-67	65117-00		GUSSET - Upper center cockpit, left	1	
	65116-00		GUSSET - Upper center cockpit, right	1	
-68	63037-00		LOOP ASSEMBLY - Door latch	1	

When ordering, always specify Part Number, Description, and Serial Number of Aircraft

PIPER AIRCRAFT
PA-28-236 DAKOTA
AIRPLANE PARTS CATALOG

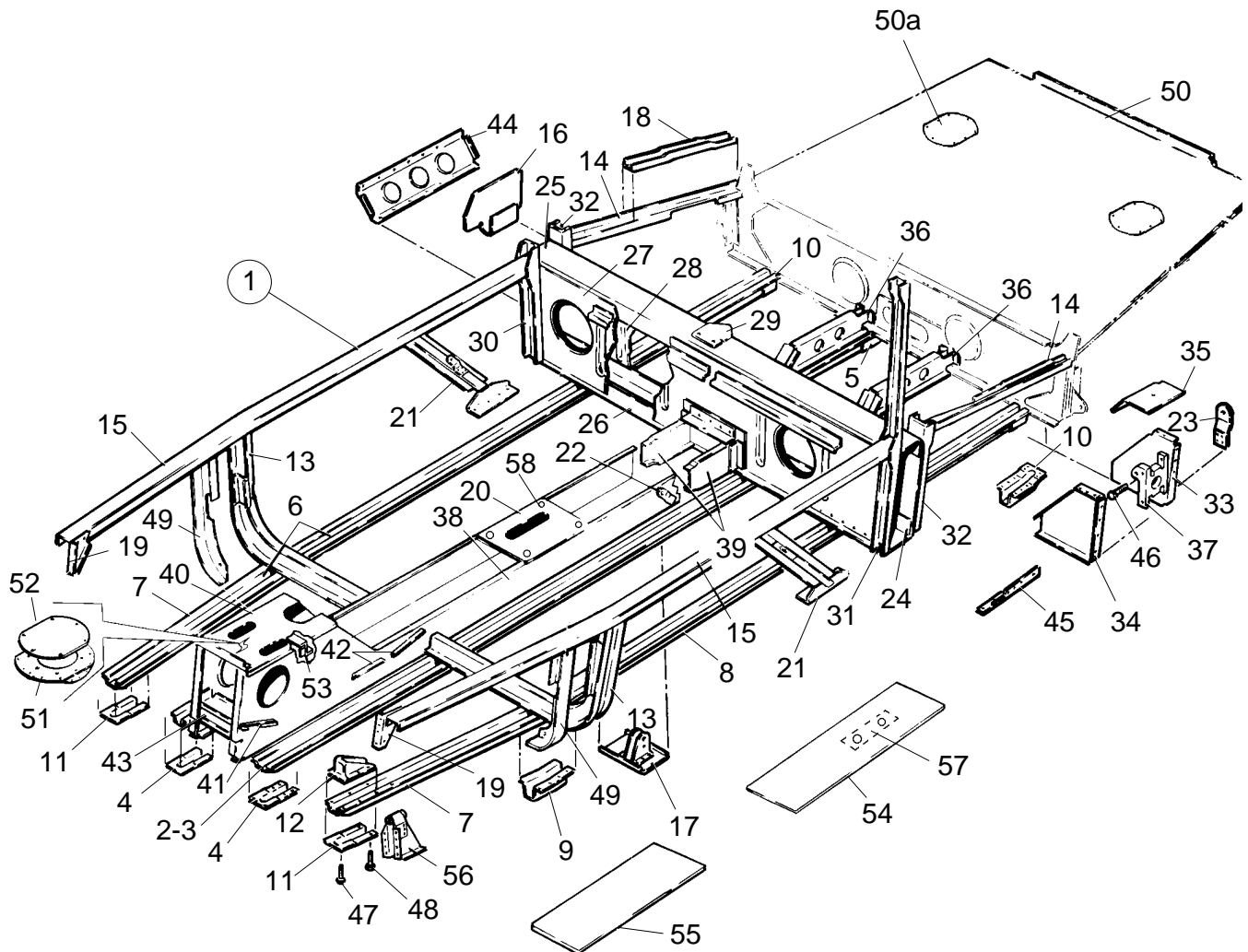


Figure 10. Fuselage Lower Forward Cockpit Assembly

Interim Revision: March 15, 1995

**PIPER AIRCRAFT
PA-28-236 DAKOTA
AIRPLANE PARTS CATALOG**

CODE EXPLANATIONS FOR FIGURE 10

- A - Used if air conditioning is installed.
- B - See figure 11 for component parts.
- C - See figure 32 for fire extinguisher and hardware.
- D - See latest revision of Piper Service Bulletin 977.

**PIPER AIRCRAFT
PA-28-236 DAKOTA
AIRPLANE PARTS CATALOG**

Figure and Index Number	Part Number	Code	Nomenclature	No. Req.	Serial Numbers Affected
10-1	76470-912		COCKPIT ASSEMBLY - Lower	1	
-2	76469-946		* HAT ASSEMBLY - Inboard	2	
-3	76114-00		** HAT	1	
-4	62543-00		** FAIRING - Front	1	
	62543-02	A	** FAIRING - Front, right	1	
-5	62554-00		** FAIRING - Rear	1	
-6	76469-947		* HAT ASSEMBLY - Outboard, left	1	
	76469-948		* HAT ASSEMBLY - Outboard, right	1	
-7	62528-00		** HAT - Front, left	1	
	62528-01		** HAT - Front, right	1	
-8	76115-00		** HAT - Rear, left	1	
	76115-01		** HAT - Rear, right	1	
-9	62558-00		** FAIRING - Center, left	1	
	62558-01		** FAIRING - Center, right	1	
-10	62554-00		** FAIRING - Rear, left and right	1	
-11	62544-00		** FAIRING - Front, left	1	
	62544-01		** FAIRING - Front, right	1	
-12	62441-00		* FITTING - Engine, lower, left	1	
	62441-01		* FITTING - Engine, lower, right	1	
-13	76126-00		* FRAME ASSEMBLY - Fuselage, Sta. 73.04	1	
-14	62525-00		* STRINGER - Rear of spar box, left	1	
	62525-01		* STRINGER - Rear of spar box, right	1	
-15	76490-02		* LONGERON - Lower cockpit, left	1	
	76490-03		* LONGERON - Lower cockpit, right	1	
-16	62542-00		* GUSSET - Lower cockpit, left	1	
	62542-01		* GUSSET - Lower cockpit, right	1	
-17	65636-00		* BRACKET ASSEMBLY - Pulley mounting	1	
-18	62551-00		* CHANNEL - Lower cockpit, left	1	
	62551-01		* CHANNEL - Lower cockpit, right	1	
-19	62581-00		* BRACKET - Lower cockpit, right	1	
	62581-01		* BRACKET - Lower cockpit, left	1	
-20	62598-00		* PLATE ASSEMBLY - Tunnel	1	
-21	96890-00		* HAT ASSEMBLY - Seat belt attachment, left	1	
	96890-01		* HAT ASSEMBLY - Seat belt attachment, right	1	
-22	96887-02		* BRACKET - Seat belt attachment, left	1	
	96887-00		* BRACKET - Seat belt attachment, right	1	
-23	79319-00		* BRACKET - Seat belt attachment	1	
-24	35744-04		* BOX ASSEMBLY - Spar, lower cockpit	1	
-25	35745-02		** CHANNEL - Spar box, top	1	
-26	62540-00		** CHANNEL - Spar box, bottom	1	
-27	35744-03		** WEB - Spar box, front	1	
-28	35921-02		** WEB - Spar box, rear	1	
-29	99045-00		** BRACKET - Flap return spring	1	
-30	67286-00		** CHANNEL - Spar box, right	1	
-31	62546-00		** CHANNEL - Spar box, left	1	
-32	62428-00		** CHANNEL - Spar box, left	1	
	62428-01		** CHANNEL - Spar box, right	1	
-33	62536-04		* SUPPORT - Rear seat bottom, left	1	
	62536-05		* SUPPORT - Rear seat bottom, right	1	
-34	62550-00		* SUPPORT - Rear seat bottom, left	1	
	62550-01		* SUPPORT - Rear seat bottom, right	1	
-35	62583-00		* PLATE - Flap torque tube support, left	1	
	62583-01		* PLATE - Flap torque tube support, right	1	
-36	62763-00		* SUPPORT - Torque shaft center	2	
-37	62421-00		* FITTING - Flap torque tube assembly, left	1	
	62421-01		* FITTING - Flap torque tube assembly, right	1	
-38	76218-00		* CHANNEL - Tunnel, side, left	1	
	76218-01		* CHANNEL - Tunnel, side, right	1	

When ordering, always specify Part Number, Description, and Serial Number of Aircraft

Reissued: June 1, 1990

**PIPER AIRCRAFT
PA-28-236 DAKOTA
AIRPLANE PARTS CATALOG**

Figure and Index Number	Part Number	Code	Nomenclature	No. Req.	Serial Numbers Affected
10-39	76119-00		* CHANNEL - Tunnel, side extension, left	1	
	76119-01		* CHANNEL - Tunnel, side extension, right	1	
-40	62601-03		* PLATE - Tunnel, top front	1	
-41	62603-00		* ANGLE - Tunnel, heat duct, left	1	
	62603-01		* ANGLE - Tunnel, heat duct, right	1	
-42	99417-00		* ANGLE - Tunnel, heat duct	4	
-43	62620-00		* BRACKET - Pulley	2	
-44	65126-00		* STIFFENER - Lower cockpit, right	1	
-45	65126-01		* STIFFENER - Lower cockpit, left	1	
-46	401 269		* BOLT - Top forward (AN3-10A)	2	
	401 266		* BOLT - Bottom forward and rear (AN3-5A)	6	
	407 564		* WASHER - (AN960-10)	10	
	407 584		* WASHER - (AN960-10L)	3	
	404 887		* NUT - (MS20365-1032C)	8	
-47	415 321		* BOLT - (MS27039-1-11)	4	
	407 694		* WASHER - (AN960-D10)	4	
	404 887		* NUT - (MS20365-1032C)	4	
-48	415 323		* BOLT - (MS27039-1-13)	8	
	407 694		* WASHER - (AN960-D10)	8	
	404 887		* NUT - (MS20365-1032C)	8	
-49	76120-00		* CHANNEL - Sta. 67.68, left	1	
	76120-01		* CHANNEL - Sta. 67.68, right	1	
-50	76470-907	B	* LOWER COCKPIT ASSEMBLY - Aft	1	
-50a	62109-00	D	* * COVER - Inspection access	2	
-51	36565-03		* DOUBLER ASSEMBLY - Transponder antenna access	1	
-52	36565-02		* PLATE - Transponder antenna access	1	
-53	62664-00		* ZEE ASSEMBLY - Tunnel	2	
-54	96684-00		FLOORBOARD	2	
-55	76123-04		FLOORBOARD - Left	1	
	76123-05		FLOORBOARD - Right	1	
-56	79258-00		BRACKET ASSEMBLY - Rudder pedal stop, left	1	
	79258-01		BRACKET ASSEMBLY - Rudder pedal stop, right	1	
-57	82227-02	C	BRACKET - Holder, fire extinguisher	1	2811032 and up
-58	406 810		NUT PLATE - (NAS 687-A08K)	4	

When ordering, always specify Part Number, Description, and Serial Number of Aircraft

PIPER AIRCRAFT
PA-28-236 DAKOTA
AIRPLANE PARTS CATALOG

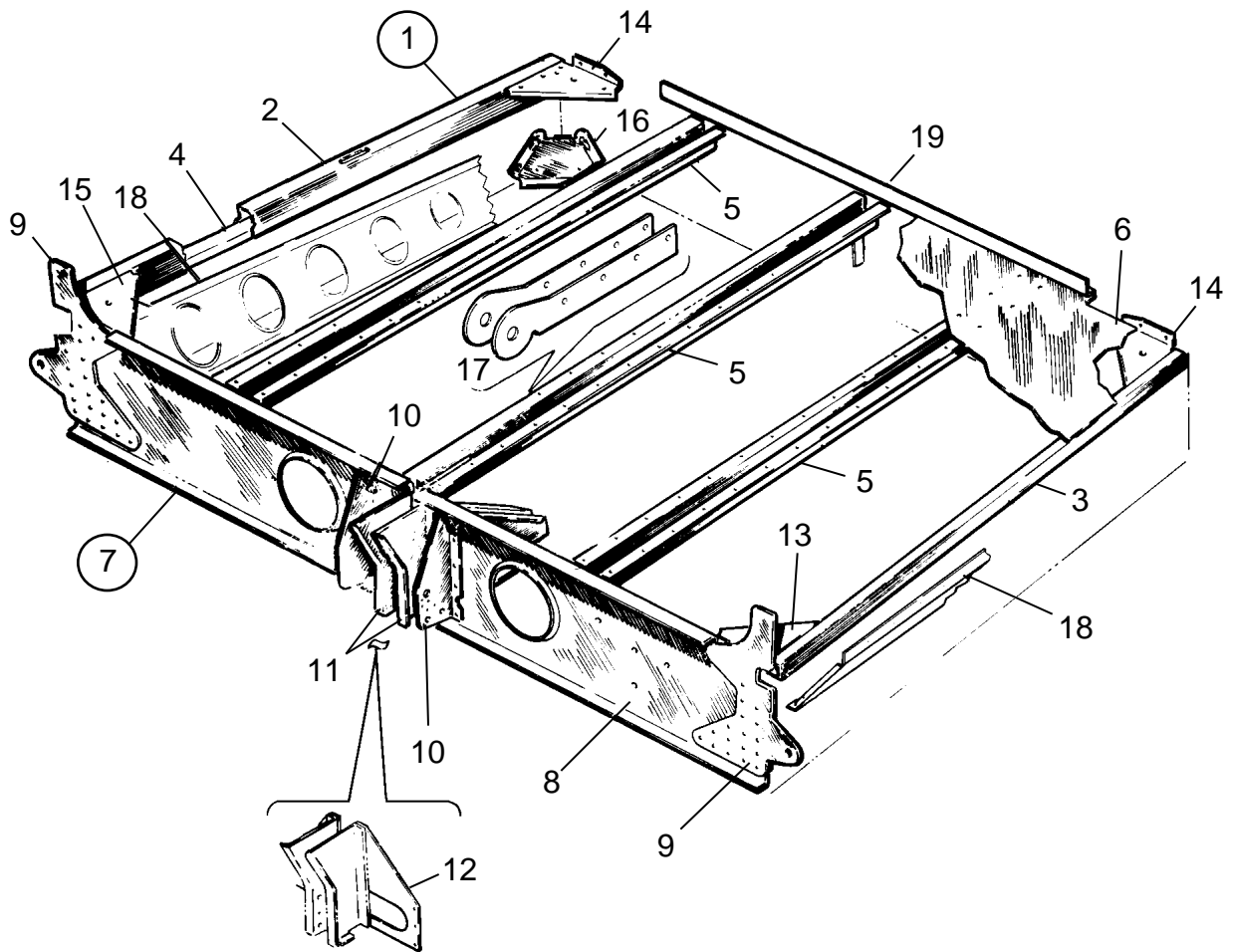


Figure 11. Fuselage Lower Aft Cockpit Assembly

Reissued: June 1, 1990

**PIPER AIRCRAFT
PA-28-236 DAKOTA
AIRPLANE PARTS CATALOG**

CODE EXPLANATIONS FOR FIGURE 11

A - See latest revision of Piper Service Bulletin 977.

**PIPER AIRCRAFT
PA-28-236 DAKOTA
AIRPLANE PARTS CATALOG**

Figure and Index Number	Part Number	Code	Nomenclature	No. Req.	Serial Numbers Affected
11-1	76470-907		LOWER COCKPIT ASSEMBLY - Aft	1	
-2	66796-00		* CHANNEL - Baggage compartment, right	1	
-3	62537-00		* STRINGER ASSEMBLY - Left	1	
-4	62534-00		* CHANNEL - Right	1	
-5	62531-00		* HAT - Baggage floor	3	
-6	66795-00	A	* FLOOR ASSEMBLY - Baggage compartment	1	
	66795-02	A	** FLOOR - Baggage compartment	1	
-7	62695-04		* FRAME ASSEMBLY - Lower, Sta. 128.737	1	
-8	62411-02		** CHANNEL - Lower cockpit	1	
-9	62448-02		** FITTING - Lower cockpit, left	1	
	62448-03		** FITTING - Lower cockpit, right	1	
-10	62563-02		** BRACKET - Lower cockpit, left	1	
	62563-01		** BRACKET - Lower cockpit, right	1	
-11	35142-00		** BRACKET - Rear seat belt support, left	1	
	35142-01		** BRACKET - Rear seat belt support, right	1	
-12	99701-00		** DOUBLER - Seat belt attachment	1	
-13	62529-00		* BRACKET - Baggage compartment	1	
-14	62618-00		* BRACKET - Baggage compartment, left	1	
	62618-01		* BRACKET - Baggage compartment, right	1	
-15	62619-00		* BRACKET - Baggage compartment, right	1	
-16	65383-00		* DOUBLER ASSEMBLY - Step	1	
-17	99699-00		* CHANNEL - Seat belt attachment	1	
-18	65128-00		* DOUBLER - Baggage compartment, left	1	
	65128-01		* DOUBLER - Baggage compartment, right	1	
-19	62859-00		ANGLE - Lower cockpit	1	

When ordering, always specify Part Number, Description, and Serial Number of Aircraft

Interim Revision: March 15, 1995

**PIPER AIRCRAFT
PA-28-236 DAKOTA
AIRPLANE PARTS CATALOG**

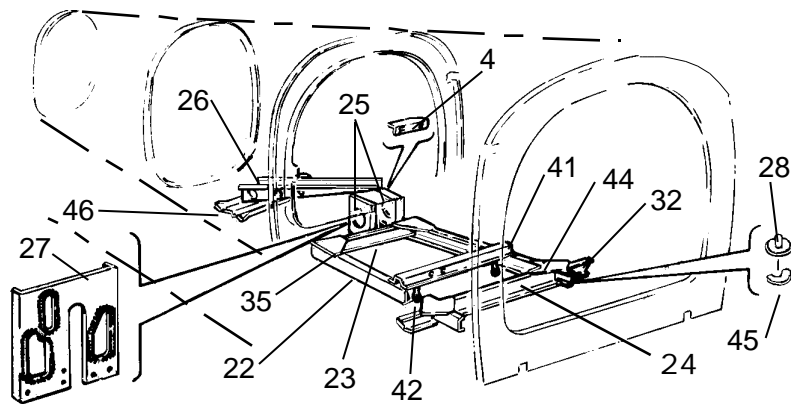
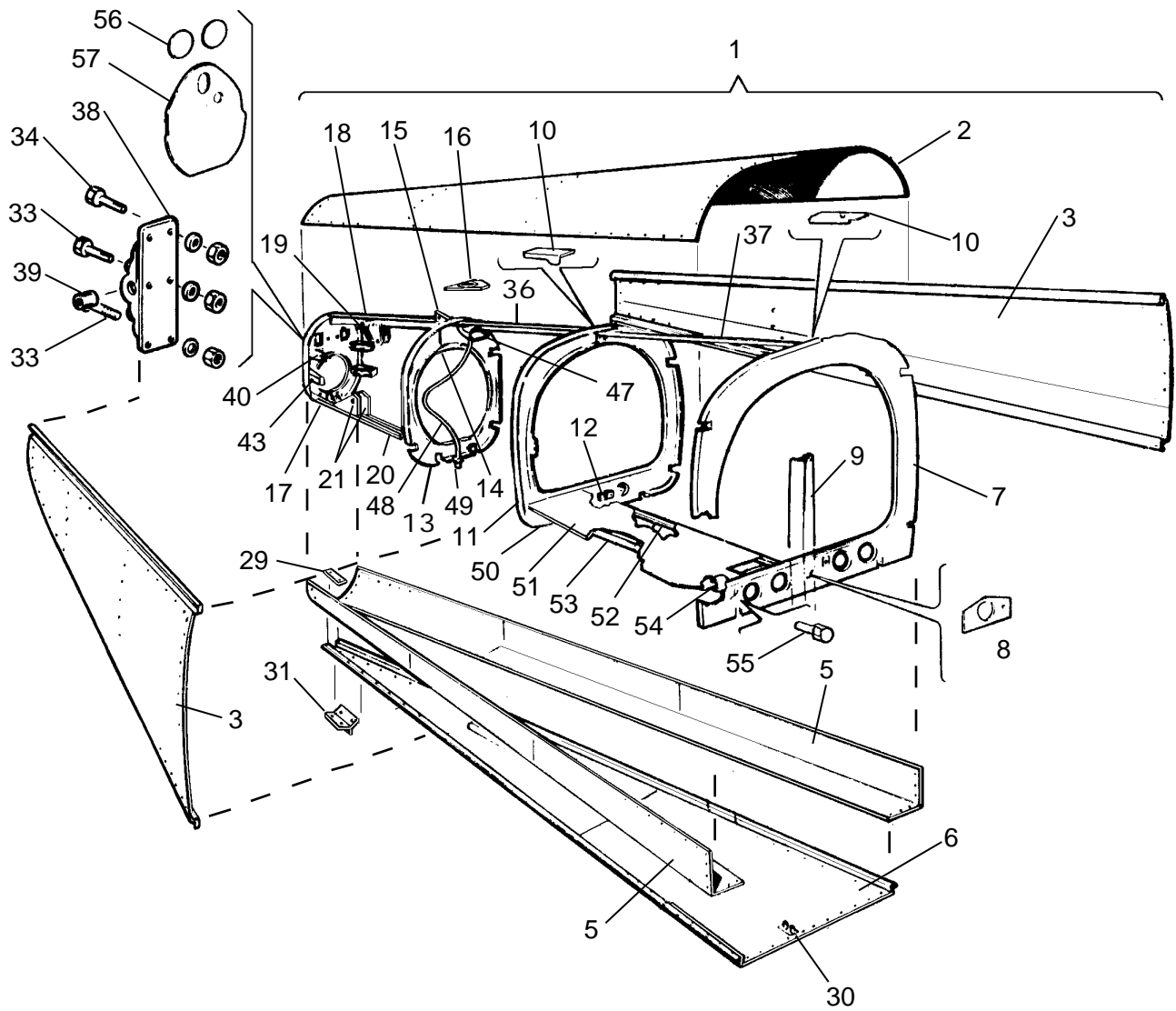


Figure 12. Fuselage Aft Section

**PIPER AIRCRAFT
PA-28-236 DAKOTA
AIRPLANE PARTS CATALOG**

CODE EXPLANATIONS FOR FIGURE 12

- A - Used if air conditioning is installed.
- B - When ordering for 1979 models, specify with or without provisions for air conditioning. When ordering for 1980 models and up, specify if air conditioning or fresh air ventilation system is installed.
- C - Used if fresh air ventilation system is installed.
- D - Also used on serial numbers 28-7911001 to 28-8211060 inclusive if Aft Fuselage Drain Kit 764 386 has been installed per Service Letter 951.

**PIPER AIRCRAFT
PA-28-236 DAKOTA
AIRPLANE PARTS CATALOG**

Figure and Index Number	Part Number	Code	Nomenclature	No. Req.	Serial Numbers Affected
12-	99466		DRAWING - Fuselage Assembly, Aft Section		
-1	76470-924	B	FUSELAGE ASSEMBLY - Aft section	1	
-2	99468-03		* SKIN - Upper	1	
-3	99470-00		* SKIN ASSEMBLY - Side, left	1	
	99470-800	C	* SKIN ASSEMBLY - Side left	1	28-8011001 and up
	99470-01		* SKIN ASSEMBLY - Side, right	1	
-4	99555-00	A	* BRACKET - Support	1	
-5	99471-02		* SKIN - Lower side, left	1	
	99471-03		* SKIN - Lower side, right	1	
-6	99469-04		* SKIN ASSEMBLY - Lower center	1	
	99549-10	A	* SKIN ASSEMBLY - Lower center	1	
-7	65640-00		* BULKHEAD ASSEMBLY - Fuselage, Sta. 156.00	1	
-8	62665-02		** FAIRLEAD	4	
-9	62630-00		* CHANNEL - Baggage door, right	1	
-10	99813-02		* DOUBLER - Antenna mount, forward	1	
	99805-03		* DOUBLER - Antenna mount, aft	1	
-11	62443-00		* BULKHEAD ASSEMBLY - Fuselage, Sta. 191.00	1	
-12	62662-00		** FAIRLEAD	1	
-13	62444-05		* BULKHEAD ASSEMBLY - Fuselage, Sta. 228.30	1	
-14	62753-00		** BRACKET - Stabilator trim	1	
-15	62453-00		** FITTING - Frame, Sta. 228.30	1	
-16	79272-00		** DOUBLER - Frame, top, Sta. 228.30	1	
-17	62445-00		* BULKHEAD ASSEMBLY - Fuselage, Sta. 255.125	1	
-18	62451-00		* STRINGER ASSEMBLY - Hat section	1	
-19	62452-00		** BRACKET - Stabilator pulley, left	1	
	62452-01		** BRACKET - Stabilator pulley, right	1	
-20	62455-00		* STRINGER ASSEMBLY - Hat section	1	
-21	62457-00		** BRACKET - Stabilator pulley, left	1	
	62457-01		** BRACKET - Stabilator pulley, right	1	
-22	99272-00	A	* CHANNEL - Condenser door frame	2	
-23	99273-00	A	* STIFFENER - Condenser door frame	1	
-24	99278-03	A	* ZEE ASSEMBLY - Condenser door frame	1	
-25	99552-02	A	* BRACKET ASSEMBLY - Condenser door bellcrank, left	1	
	99552-00	A	* BRACKET ASSEMBLY - Condenser door bellcrank, right	1	
-26	99558-00	A	* BRACKET - Motor mount, condenser actuator	1	
-27	76497-02	A	* PANEL ASSEMBLY - Fairlead	1	
-28	99609-00	A	* VENT ASSEMBLY - Evaporator	1	
-29	62471-00		* SPACER - Tail skid	2	
-30	63947-00		* VENT ASSEMBLY - Battery	1	
-31	66769-00		* SKID ASSEMBLY - Tail	1	
-32	99487-00	A	* BRACE - Condenser frame, left	1	
	99487-01	A	* BRACE - Condenser frame, right	1	
-33	402 897		* BOLT - (NAS464P3A-4)	8	
	407 564		* WASHER - (AN960-10)	12	
	407 584		* WASHER - (AN960-10L)	8	
	404 556		* NUT - (MS21045-L3)	8	
-34	402 890		* BOLT - (NAS464P3A-5)	4	
	407 564		* WASHER - (AN960-10)	4	
	407 584		* WASHER - (AN960-10L)	4	
	404 556		* NUT - (MS21045-L3)	4	
-35	99280-00	A	* GUSSET - Condenser frame, aft, left	1	
	99280-01	A	* GUSSET - Condenser frame, aft, right	1	
-36	79267-00		* STRINGER - Top, Sta. 191 to Sta. 228.30	1	
-37	65114-00		* STRINGER - Top, Sta. 156 to Sta. 191.00	1	
-38	62645-04		* FITTING ASSEMBLY - Stabilator attachment	2	
-38a	553 266		** BOLT - (NKN 428-3-7)	1	

When ordering, always specify Part Number, Description, and Serial Number of Aircraft

PIPER AIRCRAFT PA-28-236 DAKOTA AIRPLANE PARTS CATALOG

Figure and Index Number	Part Number	Code	Nomenclature	No. Req.	Serial Numbers Affected
12-39	452 394		* * BEARING - (DW4K2)	2	
-40	62413-00		* FITTING ASSEMBLY - Upper, left	1	
	62413-01		* FITTING ASSEMBLY - Upper, right	1	
-41	99496-00	A	* BRACKET ASSEMBLY - Condenser door actuation	1	
-42	99561-00	A	* * BEARING ASSEMBLY - Condenser door actuation	2	
-43	62414-00		* FITTING ASSEMBLY - Lower, left	1	
	62414-01		* FITTING ASSEMBLY - Lower, right	1	
-44	99488-00	A	* GUSSET - Condenser frame, forward	2	
-45	22482-00	A	* SCOOP - Evaporator vent	1	
-46	99545-00	A	* BRACKET ASSEMBLY - Motor support	1	
-47	86711-06	D	* FITTING ASSEMBLY - Water drain	1	28-8311001 and up
-48	63904-89	D	* HOSE - Water drain (36.00" L.)	1	28-8311001 and up
-49	79290-00	D	* TUBE ASSEMBLY - Drain	1	28-8311001 and up
-50	67367-00		SHELF ASSEMBLY - Battery	1	
-51	79453-00		* WEB - Battery shelf	1	
-52	62463-00		* CHANNEL - Battery shelf, inboard	1	
-53	62464-00		* CHANNEL - Battery shelf, outboard	1	
-54	62465-00		* CHANNEL - Battery shelf, front mount	2	
-55	400 438		BOLT - (AN3-4A)	4	
	407 694		WASHER - (AN960-D10)	4	
-56	63078-06		DISC - Closeout	2	
-57	65494-00		PLATE ASSEMBLY - Aft fuselage closeout	1	

When ordering, always specify Part Number, Description, and Serial Number of Aircraft

Reissued: June 1, 1990

PIPER AIRCRAFT
PA-28-236 DAKOTA
AIRPLANE PARTS CATALOG

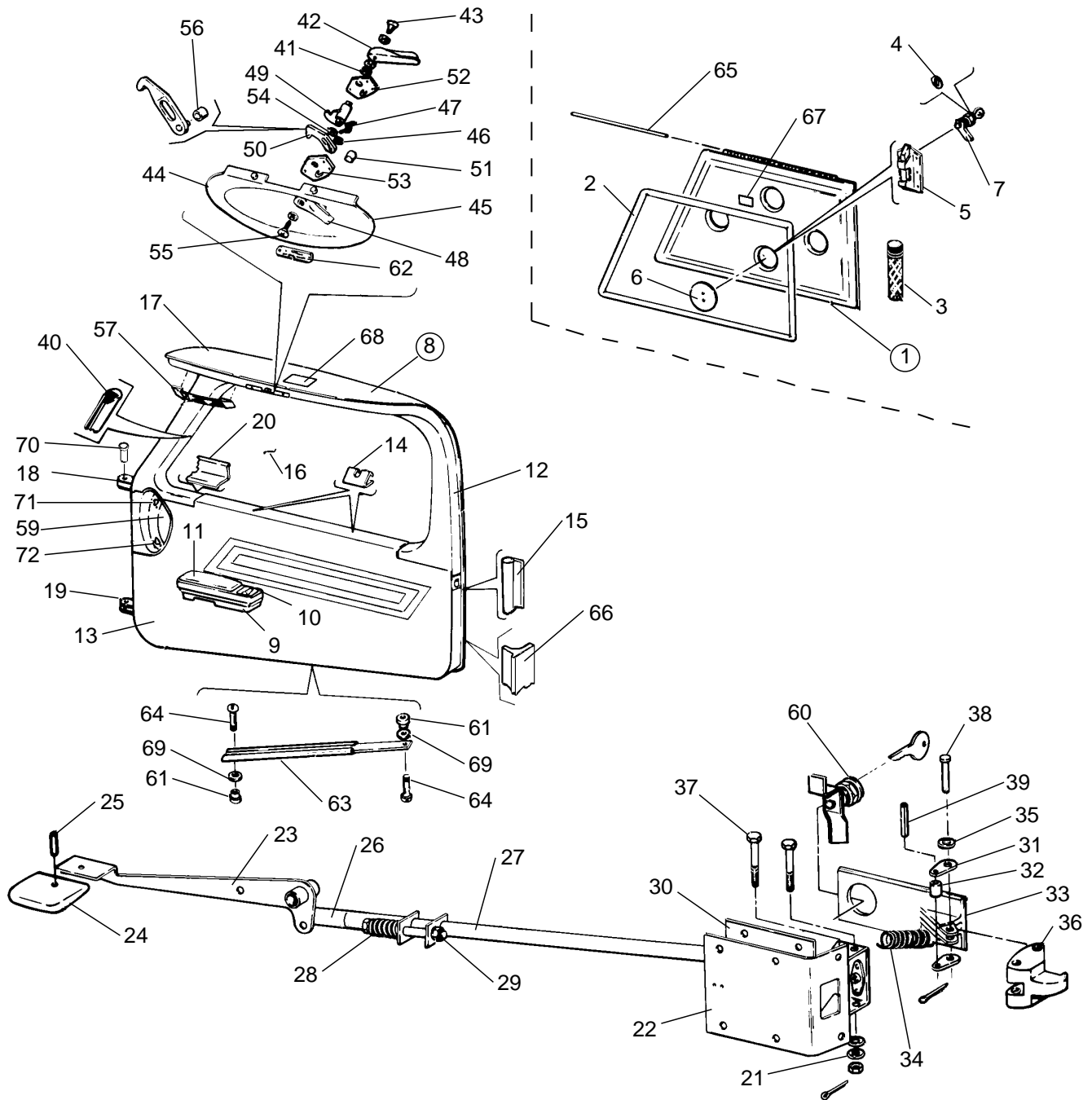


Figure 13. Fuselage Cabin and Baggage Door Installation

**PIPER AIRCRAFT
PA-28-236 DAKOTA
AIRPLANE PARTS CATALOG**

CODE EXPLANATIONS FOR FIGURE 13

- A - If matching cabin door lock, baggage door lock and ignition switch are desired, order Kit 87329-03.
- B - Complete door assembly not available. Order component parts.
- C - When ordering, specify color "bark II" or black.
- D - Used with door latch assembly that has a O.D. welded stud.
- E - Used with door latch hook assembly that has a O.D. welded stud and O.D. removable roller.

PIPER AIRCRAFT PA-28-236 DAKOTA AIRPLANE PARTS CATALOG

Figure and Index Number	Part Number	Code	Nomenclature	No. Req.	Serial Numbers Affected
13-	79546		DRAWING - Doors Installation		
	36722		DRAWING - Door Snubber Installation		28-8011101 and up
-1	66793-18		DOOR ASSEMBLY - Baggage compartment (bonded) (less lock assembly)	1	
-2	19063-02		* MOULDING - Baggage door (quarter-round type)	9	
	189 139		* MOULDING - Baggage door (bulb type)	9	
-3	65440-07		* STRAP ASSEMBLY - Baggage door	1	
-4	21176-00		* SPACER - Door lock	1	
-5	472 010		* LATCH - Push button (H38-.064-.460)	1	
-6	12761-02		* COVER ASSEMBLY - Lock access (4.75 dia.)	1	
	79452-00		* COVER - Lock access (5.75 dia.)	1	
-7	87329-08	A	LOCK ASSEMBLY - Baggage door	1	
-8	79545-02	B	DOOR ASSEMBLY - Complete (less lock assembly)	1	
-9	66710-17		* HOLDER ASSEMBLY - Armrest	1	
-10	763 003		* * BOX ASSEMBLY - Ash tray (S-25-AR-C)	1	
-11	580 731		* PAD - Armrest, camel	1	28-7911001 thru 28-8211060
	579 507		* PAD - Armrest, olivetone	1	28-7911001 thru 28-7911395
	579 508		* PAD - Armrest, midnight blue	1	28-7911001 thru 28-7911198
	579 474		* PAD - Armrest, dark blue (velour)	1	28-7911199 and up
	579 228		* PAD - Armrest, dark blue (vinyl)	1	28-8111001 thru 28-8211060
	559 758		* PAD - Armrest, dark blue (leather)	1	28-8311001 and up
	680 002		* PAD - Armrest, blue (vinyl)	1	28-8311001 and up
	579 509		* PAD - Armrest, black	1	28-7911001 thru 28-7911395
	579 510		* PAD - Armrest, tan	1	28-7911001 thru 28-7911395
	579 472		* PAD - Armrest, firethorn red (velour)	1	28-8011001 and up
	579 227		* PAD - Armrest, firethorn red (vinyl)	1	28-8111001 thru 28-8211060
	559 793		* PAD - Armrest, firethorn red (leather)	1	28-8311001 and up
	680 001		* PAD - Armrest, red (vinyl)	1	28-8311001 and up
	579 473		* PAD - Armrest, buckskin (velour)	1	28-8011001 thru 28-8211060
	680 003		* PAD - Armrest, light buckskin (vinyl)	1	28-8311001 and up
	559 805		* PAD - Armrest, light buckskin (leather)	1	28-8311001 and up
	579 226		* PAD - Armrest, dark cedar (knit)	1	28-8111001 and up
	579 115		* PAD - Armrest, dark cedar (velour)	1	28-8211001 thru 28-8211060
	559 782		* PAD - Armrest, dark cedar (leather)	1	28-8311001 and up
	579 113		* PAD - Armrest, dark carmine (velour)	1	28-8211001 thru 28-8211060
	579 114		* PAD - Armrest, sandalwood (fabric)	1	28-8211001 and up
	680 131		* PAD - Armrest, patrician sandalwood (fabric)	1	28-8311001 and up
	680 000		* PAD - Armrest, dark saddle (knit)	1	28-8311001 and up
	559 770		* PAD - Armrest, dark saddle (leather)	1	28-8311001 and up
-12	79542-04		* COVER - Cabin door, upper	1	
-13	579 410		* PANEL ASSEMBLY - Cabin door trim, white/camel/black	1	28-7911001 thru 28-8211060
	579 559		* PANEL ASSEMBLY - Cabin door trim, olivetone	1	28-7911001 thru 28-7911395
	579 560		* PANEL ASSEMBLY - Cabin door trim, midnight blue	1	28-7911001 thru 28-7911198
	579 316		* PANEL ASSEMBLY - Cabin door trim, dark blue (velour)	1	28-7911199 and up
	579 263		* PANEL ASSEMBLY - Cabin door trim, dark blue (vinyl)	1	28-8111001 thru 28-8211060
	680 117		* PANEL ASSEMBLY - Cabin door trim, light blue (velour)	1	28-8311001 and up
	680 049		* PANEL ASSEMBLY - Cabin door trim, blue (vinyl)	1	28-8311001 and up
	579 561		* PANEL ASSEMBLY - Cabin door trim, raspberry	1	28-7911001 thru 28-7911395
	579 562		* PANEL ASSEMBLY - Cabin door trim, tan/seal	1	28-7911001 thru 28-7911395
	579 338		* PANEL ASSEMBLY - Cabin door trim, firethorn red (velour)	1	28-8011001 and up
	579 262		* PANEL ASSEMBLY - Cabin door trim, firethorn red (vinyl)	1	28-8111001 thru 28-8211060
	680 048		* PANEL ASSEMBLY - Cabin door trim, red (vinyl)	1	28-8311001 and up
	579 339		* PANEL ASSEMBLY - Cabin door trim, buckskin	1	28-8011001 thru 28-8211060
	680 050		* PANEL ASSEMBLY - Cabin door trim, light buckskin (vinyl)	1	28-8311001 and up

When ordering, always specify Part Number, Description, and Serial Number of Aircraft

**PIPER AIRCRAFT
PA-28-236 DAKOTA
AIRPLANE PARTS CATALOG**

Figure and Index Number	Part Number	Code	Nomenclature	No. Req.	Serial Numbers Affected
13-13	579 261	*	PANEL ASSEMBLY - Cabin door trim, dark cedar (knit)	1	28-8111001 and up
	579 082	*	PANEL ASSEMBLY - Cabin door trim, dark cedar (velour)	1	28-8211001 and up
	579 080	*	PANEL ASSEMBLY - Cabin door trim, dark carmine	1	28-8211001 and up
	579 081	*	PANEL ASSEMBLY - Cabin door trim, sandalwood	1	28-8211001 and up
	680 047	*	PANEL ASSEMBLY - Cabin door trim, dark saddle (fabric)	1	28-8311001 and up
-14	99943-00	*	RETAINER - Side panel	2	
-15	189 139	*	MOULDING - Cabin door (bulb type)	13	
-16	79475-20	*	WINDOW - Cabin door (.080 thick) clear	1	
	79475-59	*	WINDOW - Cabin door (.125 thick) clear	1	
	79475-58	*	WINDOW - Cabin door (.080 thick) tinted	1	
	79475-60	*	WINDOW - Cabin door (.125 thick) tinted	1	
-17	79475-16	*	DOOR ASSEMBLY - Cabin (less window and lock assembly)	1	
-18	79475-07	**	HINGE - Cabin door, upper	1	
-19	79475-08	**	HINGE - Cabin door, lower	1	
-20	79475-22	**	RETAINER - Window	1	
-21	407 582	**	WASHER - (AN960-6L)	2	
-22	79515-35	**	COVER - Cabin door latch	1	
-23	79515-13	**	HANDLE - Cabin clear	1	
-24	79647-02	**	KNOB - Door handle	1	
-25	416 369	**	SCREW - Set (AN565DC416-H4)	1	
-26	79515-04	**	LATCH ASSEMBLY - Door	1	
-27	79515-06	***	TUBE ASSEMBLY - Door latch	1	
-28	587 398	****	SPRING - Door latch tube (PS10087-2-1)	1	
-29	400 112	****	BOLT - (AN4-17)	1	
	407 565	****	WASHER - (AN960-416)	3	
	404 101	****	NUT - (AN310-4)	1	
	424 051	****	COTTER PIN - (MS24665-132)	1	
-30	79515-07	***	BOX ASSEMBLY - Door latch	1	
-31	79515-08	***	LINK - Door latch mechanism	2	
-32	79515-15	***	BUSHING - Door latch mechanism	1	
-33	79530-02	***	HANDLE - Door latch mechanism	1	
-34	587 381	***	SPRING - (EO240-037-175OS)	1	
-35	62833-105	***	WASHER - Door latch mechanism	1	
-36	79532-02	***	LATCH - Cabin door	1	
-37	400 665	**	BOLT - (AN21-31)	2	
	407 562	**	WASHER - (AN960-6)	2	
	404 391	**	NUT - (AN320-1)	2	
	424 041	**	COTTER PIN - (MS24665-5)	2	
-38	424 178	**	PIN - (MS20392-2C-19)	1	
	424 041	**	COTTER PIN - (MS24665-5)	1	
-39	480 800	**	PIN - Spring (MS9048-111)	1	
-40	99997-00	*	EXTRUSION - Vinyl	7	
-41	62833-21	*	WASHER - Neoprene	1	
-42	63039-00	*	HANDLE - Door, auxiliary latch	1	
-43	519 853	*	SCREW - (MS24622-43)	1	
	62833-107	*	WASHER - Teflon	1	
	407 680	*	WASHER - (AN960-C816)	1	
-44	36598-02	*	LATCH ASSEMBLY - Door, auxiliary	1	
-45	79475-34	**	PAN - Door latch, white	1	
-46	407 683	**	WASHER - (AN960C-416L)	1	
-47	63045-00	**	SPRING - Door latch	1	
-48	36590-02	**	HANDLE - Door, auxiliary	1	
-49	63042-03	**	CAM - Door latch	1	
-50	63036-03	**	HOOK ASSEMBLY - Door latch (with O.D. welded stud)	1	
	63036-04	**	HOOK ASSEMBLY - Door latch (with O.D. welded stud)	1	

When ordering, always specify Part Number, Description, and Serial Number of Aircraft

Reissued: June 1, 1990

PIPER AIRCRAFT PA-28-236 DAKOTA AIRPLANE PARTS CATALOG

Figure and Index Number	Part Number	Code	Nomenclature	No. Req.	Serial Numbers Affected
13-51	63900-50		** BUSHING	3	
-52	68179-00	D	** PLATE - Door latch	1	
	68179-07	E	** PLATE - Door latch	1	
-53	68179-02	D	** PLATE - Door latch	1	
	68179-08	E	** PLATE - Door latch	1	
-54	407 680		** WASHER - (AN960C816)	1	
-55	519 853		** SCREW - (MS24622-43)	1	
	407 586		** WASHER - (AN960-516L)	1	
	62833-107		** WASHER - Teflon	1	
-56	36572-03		** ROLLER - Door latch	1	
-57	464 412		* HANDLE - Door assist (PS10091-1)	1	
-58	419 594		* SCREW - (AN530-10R36)	2	
-59	79542-06	C	* PAN - Door latch	1	
-60	87329-07	A	LOCK ASSEMBLY - Cabin door	1	
-61	63020-02		BUSHING - Door holder	2	
-62	68555-05		PLACARD - Door lock	1	
-63	65727-00		DOOR HOLDER ASSEMBLY	1	
-64	400 862		BOLT - (AN23-10A)	2	
-65	62400-02		PIN - Baggage door hinge	2	
-66	36722-04		SEAL - Door snubber (150" long)	1	28-8011101 and up
-67	87341-05		PLACARD - Max. baggage	1	
-68	87334-02		PLACARD - Door release	1	
-69	62833-39		WASHER - Door holder (neoprene)	2	
-70	424 204		PIN - (MS20392-3C13)	2	
	407 585		WASHER - (AN960-416L)	4	
	424 051		COTTER PIN - (MS24665-132)	2	
-71	69669-117		PLACARD - Open	1	
-72	69669-118		PLACARD - Latch	1	

When ordering, always specify Part Number, Description, and Serial Number of Aircraft

PIPER AIRCRAFT
PA-28-236 DAKOTA
AIRPLANE PARTS CATALOG

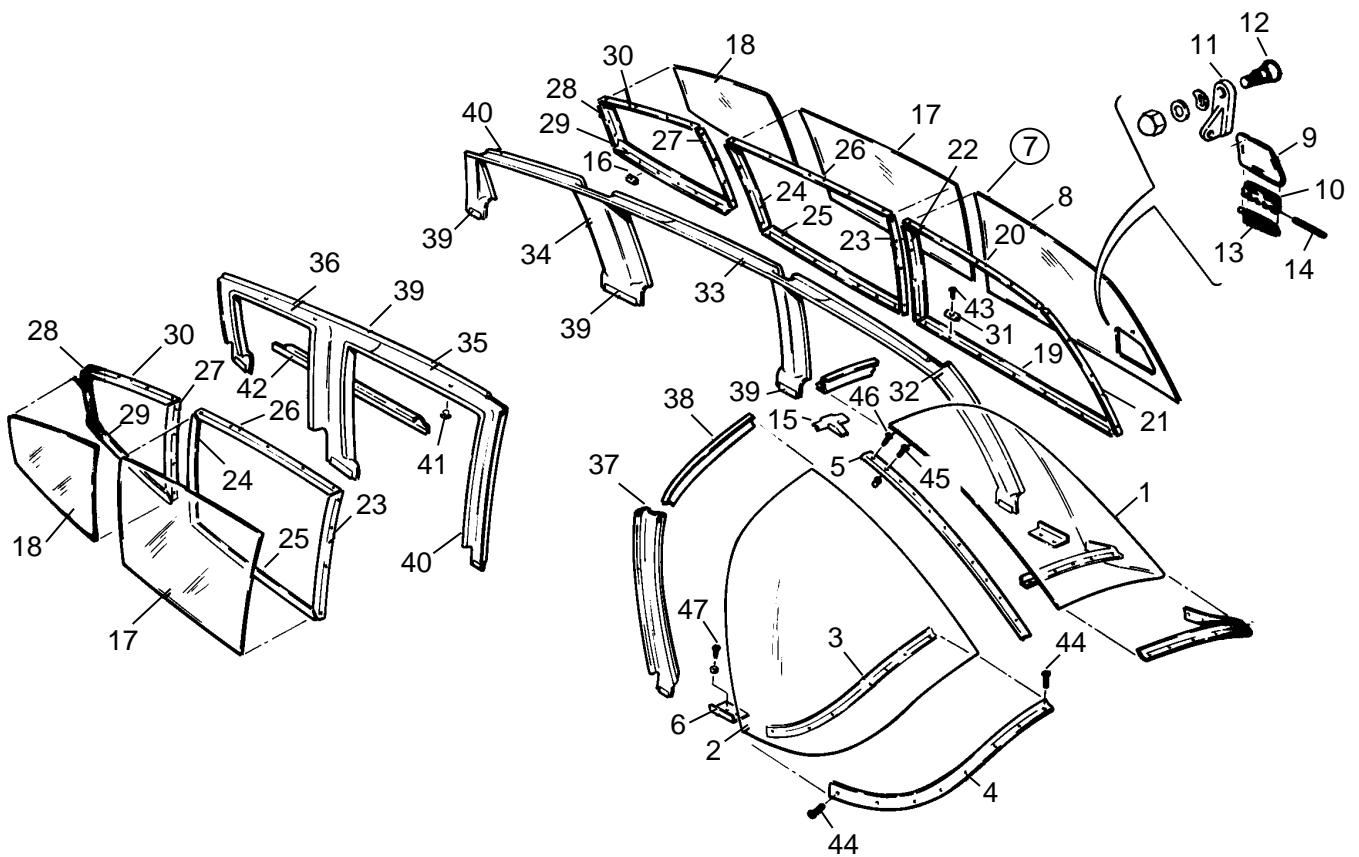


Figure 14. Fuselage Enclosure Installation

Reissued: June 1, 1990

**PIPER AIRCRAFT
PA-28-236 DAKOTA
AIRPLANE PARTS CATALOG**

CODE EXPLANATIONS FOR FIGURE 14

- A - Used if gray tinted windshield and windows are installed.
- B - Used if .250 thick sound reduction windshield is installed.

PIPER AIRCRAFT PA-28-236 DAKOTA AIRPLANE PARTS CATALOG

Figure and Index Number	Part Number	Code	Nomenclature	No. Req.	Serial Numbers Affected
14-	63070		DRAWING - Wmdshield Installation		
	76361		DRAWING - Window Installation		
	79171		DRAWING - Window Frame Installation		
-1	63070-46		WINDSHIELD - Left (.125 thick)	1	
	79296-16		WINDSHIELD - Left (.250 thick)	1	
	63072-42	A	WINDSHIELD - Left (.125 thick)	1	
	79296-18	A	WINDSHIELD - Left (.250 thick)	1	
-2	63070-45		WINDSHIELD - Right (.125 thick)	1	
	79296-17		WINDSHIELD - Right (.250 thick)	1	
	63070-41	A	WINDSHIELD - Right (.125 thick)	1	
	79296-19	A	WINDSHIELD - Right (.250 thick)	1	
-3	63070-43		COLLAR - Inside, left	1	
	63070-44		COLLAR - Inside, right	1	
-4	63070-11		COLLAR - Outside, left	1	
	63070-05		COLLAR - Outside, right	1	
-5	79557-00		TRIM STRIP - Windshield, center	1	
-6	79154-00		RETAINER - Windshield moulding, left	1	
	79155-00		RETAINER - Windshield moulding, right	1	
-7	65826-05		WINDOW ASSEMBLY - Front, left	1	
	65826-06	A	WINDOW ASSEMBLY - Front, left	1	
-8	65798-03		* WINDOW - Front, left	1	
	65798-04	A	* WINDOW - Front, left	1	
-9	65896-00		* WINDOW ASSEMBLY - Storm	1	
	65896-02	A	* WINDOW ASSEMBLY - Storm	1	
-10	65895-00		** HINGE - Half	1	
-11	65742-00		* LATCH ASSEMBLY - Storm window	1	
-12	79572-00		* SCREW - Storm window attachment	1	
	408 826		* WASHER - Shakeproof (3502-10-71)	1	
	407 041		* WASHER - (MS35338-41)	1	
	477 696		* NUT - Dome (8061 -NP)	1	
-13	65782-00		* HINGE - Half	1	
-14	63744-09		* PIN - Hinge	1	
-15	67556-04		TRIM - Windshield, white	1	
-16	78086-00		RETAINER - Side panel	2	
-17	76275-00		WINDOW - Center, left (.80 thick)	1	
	76275-03		WINDOW - Center, left (.125 thick)	1	
	76275-02	A	WINDOW - Center, left (.080 thick)	1	
	76275-04	A	WINDOW - Center, left (.125 thick)	1	
	76276-00		WINDOW - Center, right (.080 thick)	1	
	76276-03		WINDOW - Center, right (.125 thick)	1	
	76276-02	A	WINDOW - Center, right (.080 thick)	1	
	76276-04	A	WINDOW - Center, right (.125 thick)	1	
-18	76277-00		WINDOW - Rear, left (.080 thick)	1	
	76277-03		WINDOW - Rear, left(.125 thick)	1	
	76277-02	A	WINDOW - Rear, left (.080 thick)	1	
	76277-04	A	WINDOW - Rear, left(.125 thick)	1	
	76278-00		WINDOW - Rear, right (.080 thick)	1	
	76278-03		WINDOW - Rear, right (.125 thick)	1	
	76278-02	A	WINDOW - Rear, right (.080 thick)	1	
	76278-04	A	WINDOW - Rear, right (125 thick)	1	
-19	76197-00		RETAINER - Front window, bottom, left	1	
-20	76143-00		RETAINER - Front window, top, left	1	
-21	79562-00		RETAINER - Front window, front, left	1	
-22	63071-12		RETAINER - Front window, rear, left	1	
-23	76264-00		RETAINER - Center window, front, left	1	
	63071-18		RETAINER - Center window, front, right	1	

When ordering, always specify Part Number, Description, and Serial Number of Aircraft

Reissued: June 1, 1990

PIPER AIRCRAFT PA-28-236 DAKOTA AIRPLANE PARTS CATALOG

Figure and Index Number	Part Number	Code	Nomenclature	No. Req.	Serial Numbers Affected
14-24	76267-00		RETAINER - Center window, rear, left	1	
	76267-01		RETAINER - Center window, rear, right	1	
-25	76268-00		RETAINER - Center window, bottom, left	1	
	76269-00		RETAINER - Center window, bottom, right	1	
-26	76265-00		RETAINER - Center window, top, left	1	
	76266-00		RETAINER - Center window, top, right	1	
-27	76270-00		RETAINER - Rear window, front, left	1	
	76270-01		RETAINER - Rear window, front, right	1	
-28	76272-00		RETAINER - Rear window, rear, left	1	
	76272-01		RETAINER - Rear window, rear, right	1	
-29	76273-00		RETAINER - Rear window, bottom, left	1	
	76274-00		RETAINER - Rear window, bottom, right	1	
-30	76271-00		RETAINER - Rear window, top	2	
-31	99943-00		RETAINER - Side panel	9	
-32	79171-14		COVER - Window frame, front, left	1	
-33	79171-11		COVER - Window frame, center, left	1	
-34	79171-10		COVER - Window frame, rear, left	1	
-35	79171-08		COVER - Window frame, center, right	1	
-36	79171-09		COVER - Window frame, rear, right	1	
-37	79171-13		COVER - Windshield bow, lower, right	1	
-38	63149-20		COVER - Windshield bow, upper, left	1	
	63149-21		COVER - Windshield bow, upper, right	1	
-39	78057-00		RETAINER - Window frame, extrusion	12	
-40	99997-00		EXTRUSION - Vinyl	33	
-41	581 928		PLUG - (207-200201-00-0103)	10	
-42	556 119		COVER ASSEMBLY - Window sill, camel	1	28-7911001 thru 28-8211060
	556 266		COVER ASSEMBLY - Window sill, olivetone	1	28-7911001 thru 28-7911395
	556 267		COVER ASSEMBLY - Window sill, midnight blue	1	28-7911001 thru 28-7911198
	556 713		COVER ASSEMBLY - Window sill, dark blue (velour)	1	28-7911199 and up
	556 941		COVER ASSEMBLY - Window sill, dark blue (vinyl)	1	28-8111001 thru 28-8211060
	559 759		COVER ASSEMBLY - Window sill, dark blue (leather)	1	28-8311001 and up
	557 200		COVER ASSEMBLY - Window sill, blue (vinyl)	1	28-8311001 and up
	556 268		COVER ASSEMBLY - Window sill, raspberry	1	28-7911001 thru 28-7911395
	556 269		COVER ASSEMBLY - Window sill, tan	1	28-7911001 thru 28-7911395
	556 693		COVER ASSEMBLY - Window sill, firethorn red (velour)	1	28-8011001 and up
	556 940		COVER ASSEMBLY - Window sill, firethorn red (vinyl)	1	28-8111001 thru 28-8211060
	559 794		COVER ASSEMBLY - Window sill, firethorn red (leather)	1	28-8311001 and up
	557 199		COVER ASSEMBLY - Window sill, red (vinyl)	1	28-8311001 and up
	556 694		COVER ASSEMBLY - Window sill, buckskin (velour)	1	28-8011001 thru 28-8211060
	557 201		COVER ASSEMBLY - Window sill, light buckskin (vinyl)	1	28-8311001 and up
	559 806		COVER ASSEMBLY - Window sill, light buckskin (leather)	1	28-8311001 and up
	556 939		COVER ASSEMBLY - Window sill, dark cedar (knit)	1	28-8111001 and up
	557 059		COVER ASSEMBLY - Window sill, dark cedar (velour)	1	28-8211001 thru 28-8211060
	559 783		COVER ASSEMBLY - Window sill, dark cedar (leather)	1	28-8311001 and up
	557 057		COVER ASSEMBLY - Window sill, dark carmine	1	28-8211001 thru 28-8211060
	557 058		COVER ASSEMBLY - Window sill, sandalwood	1	28-8211001 and up
	556 315		COVER ASSEMBLY - Window sill, white	1	28-8111001 thru 28-8211060
	557 198		COVER ASSEMBLY - Window sill, dark saddle (knit)	1	28-8311001 and up
	559 771		COVER ASSEMBLY - Window sill, dark saddle (leather)	1	28-8311001 and up
-43	419 641		SCREW - (4 x L.) Type "A" Truss	90	
-44	486 286		SCREW - (NAS601-8P)	26	
-45	415 536		SCREW - (MS35206-246)	8	
	415 537	B	SCREW - (MS35206-247)	8	
	406 863		RIVNUT - (A8K-75)	8	
-46	415 544		SCREW - (MS35206-244)	1	
	415 535	B	SCREW - (MS35206-245)	1	
-47	494 001		WASHER - (PS10016-4)	4	

When ordering, always specify Part Number, Description, and Serial Number of Aircraft

PIPER AIRCRAFT
PA-28-236 DAKOTA
AIRPLANE PARTS CATALOG

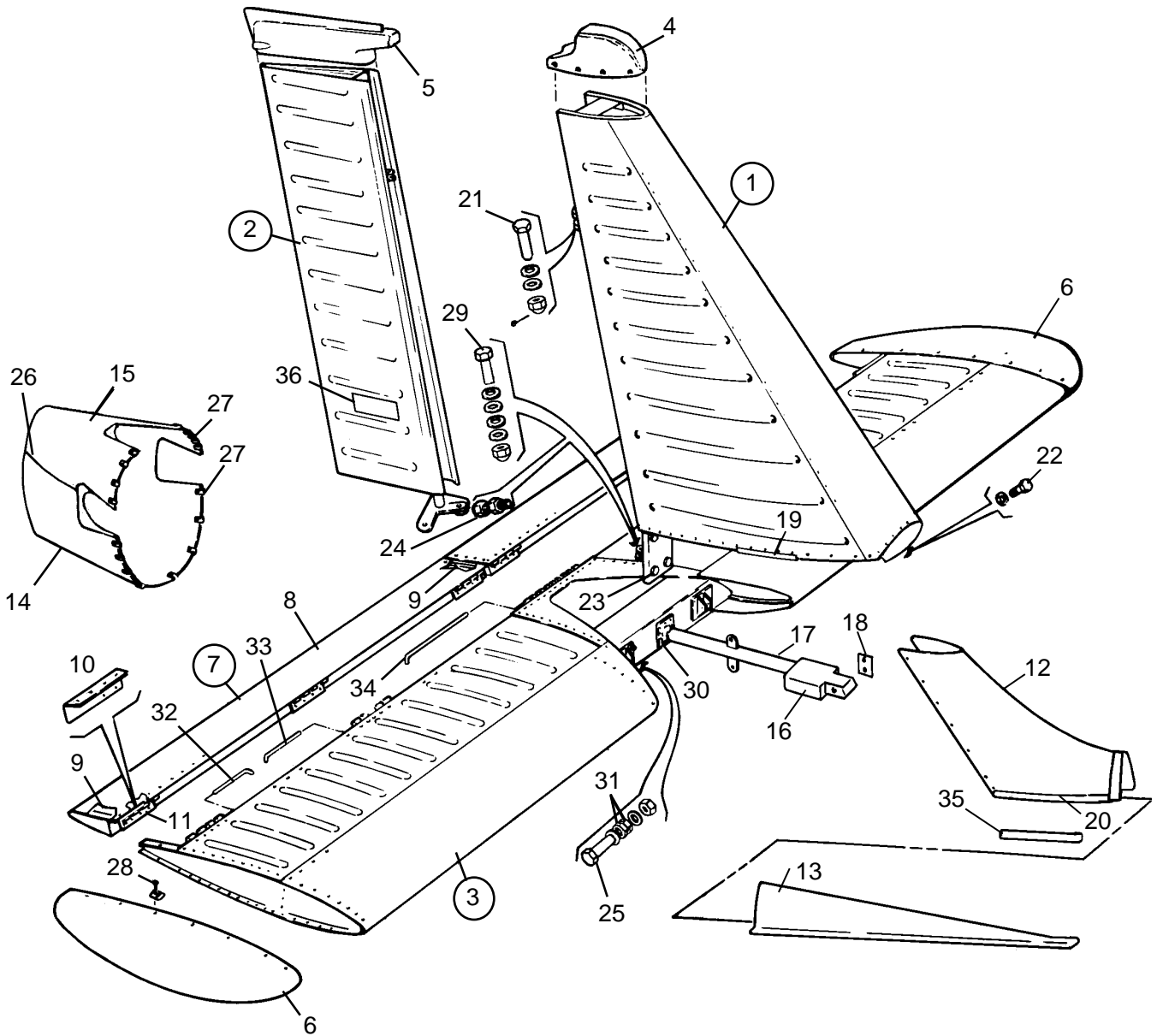


Figure 15. Tail Surfaces Installation

Reissued: June 1, 1990

**PIPER AIRCRAFT
PA-28-236 DAKOTA
AIRPLANE PARTS CATALOG**

CODE EXPLANATIONS FOR FIGURE 15

- A - See Figure 17 for component parts.
- B - See Figure 18 for component parts.
- C - See Figure 16 for component parts.
- D - Used if rotating beacon is installed.

PIPER AIRCRAFT PA-28-236 DAKOTA AIRPLANE PARTS CATALOG

Figure and Index Number	Part Number	Code	Nomenclature	No. Req.	Serial Numbers Affected
15-	62002		DRAWING - Tail Surfaces Installation		
-1	66975-03	A	FIN ASSEMBLY	1	28-7911001 thru 28-7911395
	66975-05	A	FIN ASSEMBLY	1	28-8011001 and up
-2	65342-02	B	RUDDER ASSEMBLY	1	
-3	68426-00	C	STABILATOR ASSEMBLY	1	
-4	99032-02		TIP ASSEMBLY - Fin	1	
	38222-03		TIP - Fin	1	
	65345-03	D	TIP - Fin	1	28-7911065 and up
-5	99868-00		TIP ASSEMBLY - Rudder (with provisions for tail light)	1	
	36706-02		TIP ASSEMBLY - Rudder (without provisions for tail light)	1	
-6	63584-14		TIP - Stabilator	2	
-7	63585-00		TAB ASSEMBLY - Stabilator, left	1	
	63585-01		TAB ASSEMBLY - Stabilator, right	1	
-8	63586-00		* SKIN - Stabilator trim tab, left	1	
	63586-01		* SKIN - Stabilator trim, right	1	
-9	63587-00		* RIB - Outboard	2	
	63587-01		* RIB - Inboard	2	
-10	63588-00		* DOUBLER - Tab assembly	3	
-11	63560-02		* HINGE - Half, stabilator tab	3	
-12	99619-04		FAIRING ASSEMBLY - Fin, aft	1	
-13	99621-02		FAIRING - Fin, forward	1	
-14	66822-09		FAIRING ASSEMBLY - Tailcone, lower	1	
-15	66822-10		FAIRING ASSEMBLY - Tailcone, upper	1	
-16	99803-03		BALANCE WEIGHT ASSEMBLY - Stabilator	1	
-17	69624-02		* TUBE ASSEMBLY - Stabilator	1	
-18	96564-00		PLATE - Stabilator balance	AR	
-19	63186-02		MOULDING - Extruded	2	
-20	63186-21		MOULDING - Extruded	2	
-21	400 056		BOLT - (AN3-11)	1	
	404 100		NUT - Castle (AN310-3)	1	
	424 051		COTTER PIN - (MS24665-132)	1	
	407 584		WASHER - (AN960-10L)	2	
-22	400 003		BOLT - (AN4-6A)	1	
	407 565		WASHER - (AN960-416)	2	
-23	400 003		BOLT - (AN4-6A)	4	
	407 565		WASHER - (AN960-416)	8	
	404 888		NUT - (MS20365-428C)	4	
-24	553 266		SCREW - Adjusting crowned hex head (NKN 428-3-7)	2	
	404 224		NUT - (AN315-3R)	2	
-25	402 680		BOLT - (NAS1104-17)	2	
	407 565		WASHER - (AN960-416)	6	
	406 637		NUT - (H-10-4)	2	
-26	410 054		SCREW - (MS24694-C5)	10	
	494 101		WASHER - (TIN A3135SS-017-24A)	10	
	477 640		NUT - (PS10062-5-3)	10	
-27	415 378		SCREW - (MS51957-45)	16	
	477 640		NUT - (PS10062-5-3)	16	
-28	410 054		SCREW - (MS24694-C5)	24	
	494 101		WASHER - (PS10092-1-2C)	24	
	477 672		NUT - (PS10062-5-1)	24	
-29	401 269		BOLT - (AN3-10A)	1	
	407 564		WASHER - (AN960-10)	3	
	407 584		WASHER - (AN960-10L)	1	
	404 887		NUT - (MS20365-1032C)	1	

When ordering, always specify Part Number, Description, and Serial Number of Aircraft

Reissued: June 1, 1990

**PIPER AIRCRAFT
PA-28-236 DAKOTA
AIRPLANE PARTS CATALOG**

Figure and Index Number	Part Number	Code	Nomenclature	No. Req.	Serial Numbers Affected
15-30	400 450		BOLT - (AN3-17A)	2	
	407 564		WASHER - (AN960-10)	6	
	404 887		NUT - (MS20365-1032C)	2	
-31	407 585		WASHER - (AN960-416L)	2	
-32	62002-02		PIN - Hinge	2	
-33	62002-03		PIN - Hinge	2	
-34	62002-04		PIN - Hinge	1	
-35	79277-00		ANGLE - Dorsal fin fitting, left	1	
	79277-01		ANGLE - Dorsal fin fitting, right	1	
-36	87341-02		PLACARD - Do Not Push	2	

When ordering, always specify Part Number, Description, and Serial Number of Aircraft

PIPER AIRCRAFT
PA-28-236 DAKOTA
AIRPLANE PARTS CATALOG

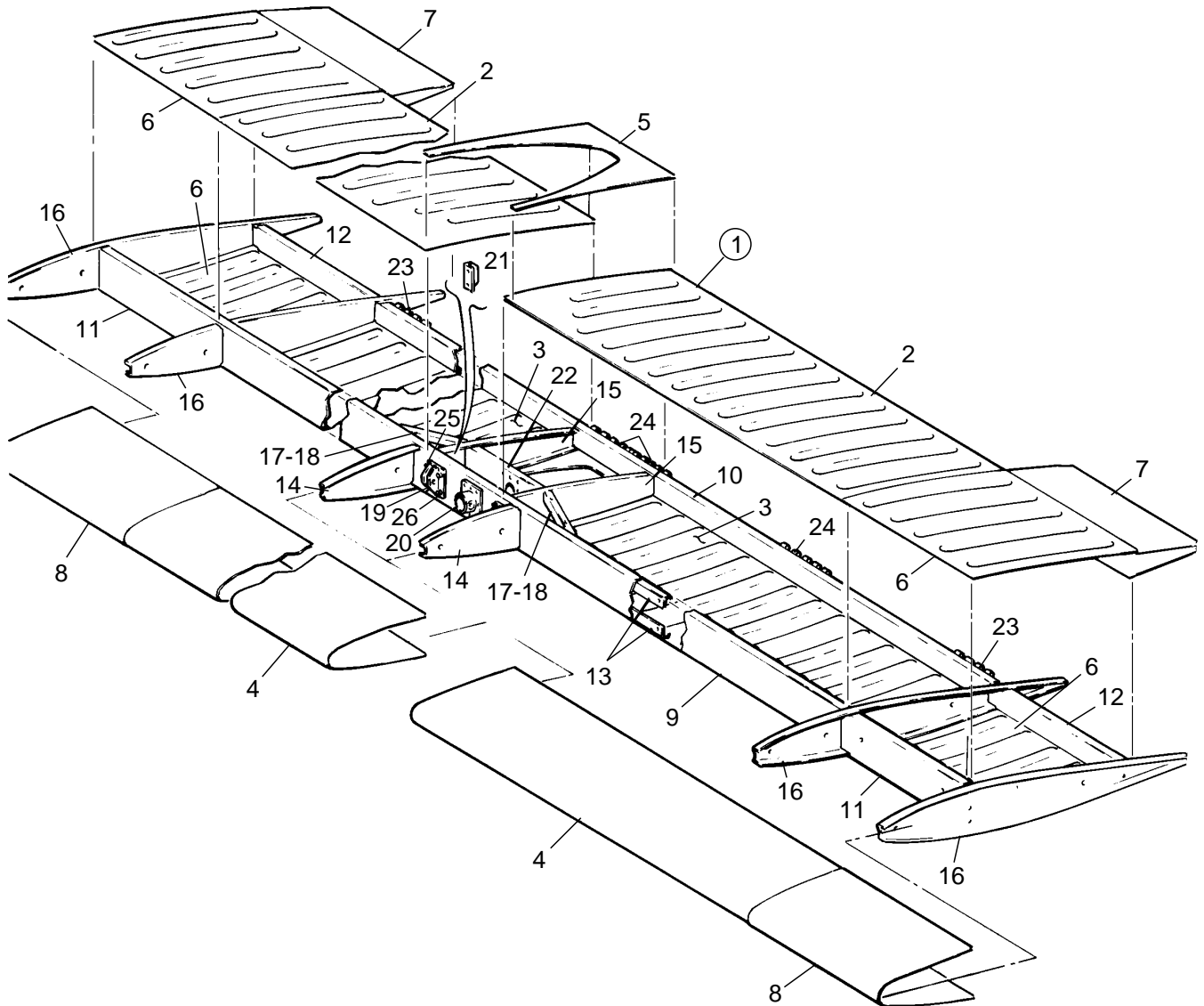


Figure 16. Stabilator Assembly

Reissued: June 1, 1990

**PIPER AIRCRAFT
PA-28-236 DAKOTA
AIRPLANE PARTS CATALOG**

CODE EXPLANATIONS FOR FIGURE 16

**PIPER AIRCRAFT
PA-28-236 DAKOTA
AIRPLANE PARTS CATALOG**

Figure and Index Number	Part Number	Code	Nomenclature	No. Req.	Serial Numbers Affected
16-1	68426-00		STABILATOR ASSEMBLY	1	
-2	63392-00		* SKIN - Stabilator, aft top, left	1	
	63392-01		* SKIN - Stabilator, aft top, right	1	
-3	63393-00		* SKIN - Stabilator, aft bottom, left	1	
	63393-01		* SKIN - Stabilator, aft bottom, right	1	
-4	63573-00		* SKIN - Stabilator, leading edge, left	1	
	63573-01		* SKIN - Stabilator, leading edge, right	1	
-5	63575-00		* SKIN - Stabilator, center, top	1	
	63575-02		* SKIN - Stabilator, center, bottom	1	
-6	68430-00		* SKIN - Stabilator, top and bottom, left	2	
	68430-01		* SKIN - Stabilator, top and bottom, right	2	
-7	68431-00		* SKIN - Stabilator, top left, bottom right	2	
	68431-01		* SKIN - Stabilator, top right, bottom left	2	
-8	68429-00		* SKIN - Stabilator, leading edge, left	1	
	68429-01		* SKIN - Stabilator, leading edge, right	1	
-9	63561-05		* SPAR - Stabilator, main	1	
-10	63572-00		* SPAR - Stabilator, rear	1	
-11	68427-00		* SPAR - Stabilator, outboard, forward	2	
-12	68428-00		* SPAR - Stabilator, outboard, aft	2	
-13	63562-00		* CAP - Stabilator spar	2	
-14	63569-00		* RIB - Stabilator, nose	2	
-15	63570-00		* RIB - Stabilator, aft	2	
-16	63571-00		* RIB - Stabilator, outboard	4	
-17	63566-02		* STIFFENER - Stabilator, top right	1	
	63566-03		* STIFFENER - Stabilator, top left	1	
-18	63566-03		* STIFFENER - Stabilator, bottom right	1	
	63566-02		* STIFFENER - Stabilator, bottom left	1	
-19	63563-00		* FITTING - Stabilator hinge	2	
-20	63567-00		* FITTING - Balance weight attachment	1	
-21	63564-00		* ANGLE - Stabilator	2	
-22	63560-05		* CLOSURE ASSEMBLY	1	
-23	63560-02		* HINGE - Extruded, outboard	2	
-24	63560-03		* HINGE - Extruded, inboard and center	4	
-25	400 003		* BOLT - (AN4-6A)	4	
	407 565		* WASHER - (AN960-416)	8	
	404 888		* NUT - (MS20365-428)	4	
-26	400 004		* BOLT - (AN4-7A)	4	
	407 565		* WASHER - (AN960-416)	8	
	404 888		* NUT - (MS20365-428)	4	

When ordering, always specify Part Number, Description, and Serial Number of Aircraft

PIPER AIRCRAFT
PA-28-236 DAKOTA
AIRPLANE PARTS CATALOG

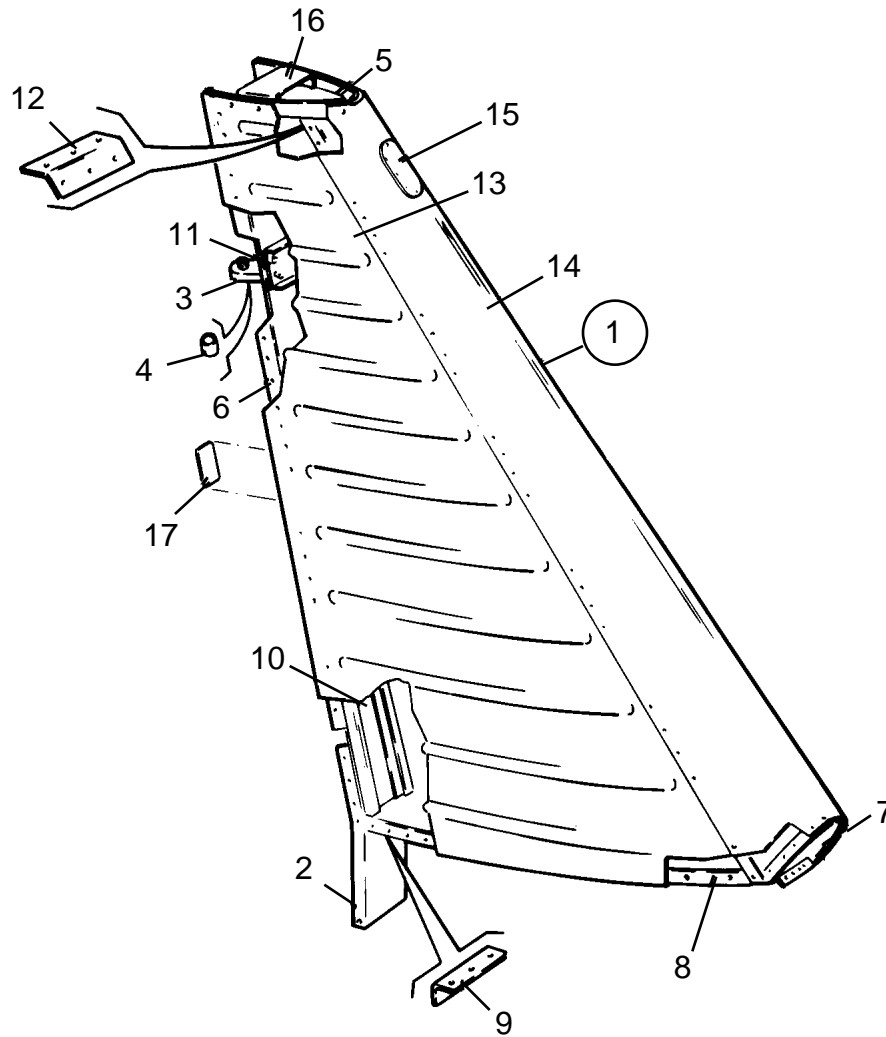


Figure 17. Fin Assembly

Reissued: June 1, 1990

**PIPER AIRCRAFT
PA-28-236 DAKOTA
AIRPLANE PARTS CATALOG**

CODE EXPLANATIONS FOR FIGURE 17

**PIPER AIRCRAFT
PA-28-236 DAKOTA
AIRPLANE PARTS CATALOG**

Figure and Index Number	Part Number	Code	Nomenclature	No. Req.	Serial Numbers Affected
17-1	66975-03		FIN ASSEMBLY	1	28-7911001 thru 28-7911395
	66975-05		FIN ASSEMBLY	1	28-8011001 and up
-2	63501-03		* FITTING - Fin root	1	
-3	63502-00		* HINGE ASSEMBLY - Fin	1	
-4	452 387		** BEARING - (KP3A)	1	
-5	66972-00		* RIB ASSEMBLY - Fin tip	1	
-6	63504-00		* SPAR - Fin rear	1	
-7	79268-00		* RIB ASSEMBLY - Fin nose	1	
-8	63506-00		* RIB ASSEMBLY - Root	1	
-9	63508-00		** ANGLE - Fin rib attachment	1	
-10	65034-00		* STIFFENER - Fin spar, left	1	
	65034-01		* STIFFENER - Fin spar, right	1	
-11	63509-00		* DOUBLER ASSEMBLY - Fin	1	
-12	63510-00		* CLIP - Fin	1	
-13	63398-00		* SKIN - Fin, left	1	
	63398-01		* SKIN - Fin, right	1	
-14	66964-00		* SKIN ASSEMBLY - Fin nose	1	28-7911001 thru 28-7911395
	66964-05		* SKIN ASSEMBLY - Fin nose	1	28-8011001 and up
-15	66964-02		** COVER - Air vent	1	28-7911001 thru 28-7911395
-16	63515-00		* BRACKET - Fin antenna	1	
-17	581 760		* PLATE - (PS10006-1)	1	

When ordering, always specify Part Number, Description, and Serial Number of Aircraft

PIPER AIRCRAFT
PA-28-236 DAKOTA
AIRPLANE PARTS CATALOG

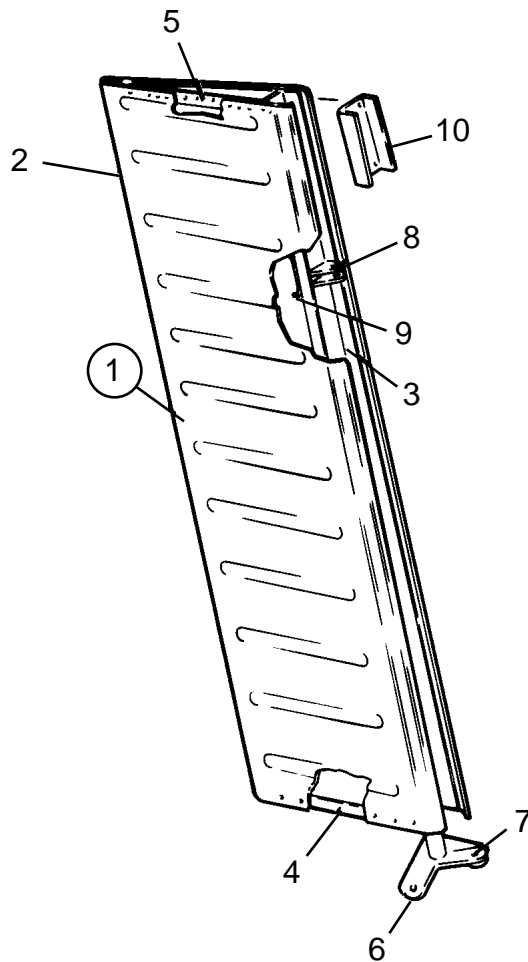


Figure 18. Rudder Assembly

Reissued: June 1, 1990

**PIPER AIRCRAFT
PA-28-236 DAKOTA
AIRPLANE PARTS CATALOG**

CODE EXPLANATIONS FOR FIGURE 18

**PIPER AIRCRAFT
PA-28-236 DAKOTA
AIRPLANE PARTS CATALOG**

Figure and Index Number	Part Number	Code	Nomenclature	No. Req.	Serial Numbers Affected
18-1	65342-02		RUDDER ASSEMBLY	1	
-2	63396-02		* SKIN - Rudder	1	
-3	63543-00		* SPAR - Rudder	1	
-4	63544-00		* RIB - Rudder root, bottom	1	
-5	63545-00		* RIB - Rudder tip, top	1	
-6	63546-00		* WELD ASSEMBLY - Rudder	1	
-7	452 387		** BEARING - (KP3A)	1	
-8	63550-00		* FITTING - Rudder hinge	1	
-9	63395-00		* DOUBLER ASSEMBLY - Rudder hinge	1	
-10	65341-00		* DOUBLER - Rudder, top	1	

When ordering, always specify Part Number, Description, and Serial Number of Aircraft

PIPER AIRCRAFT
PA-28-236 DAKOTA
AIRPLANE PARTS CATALOG

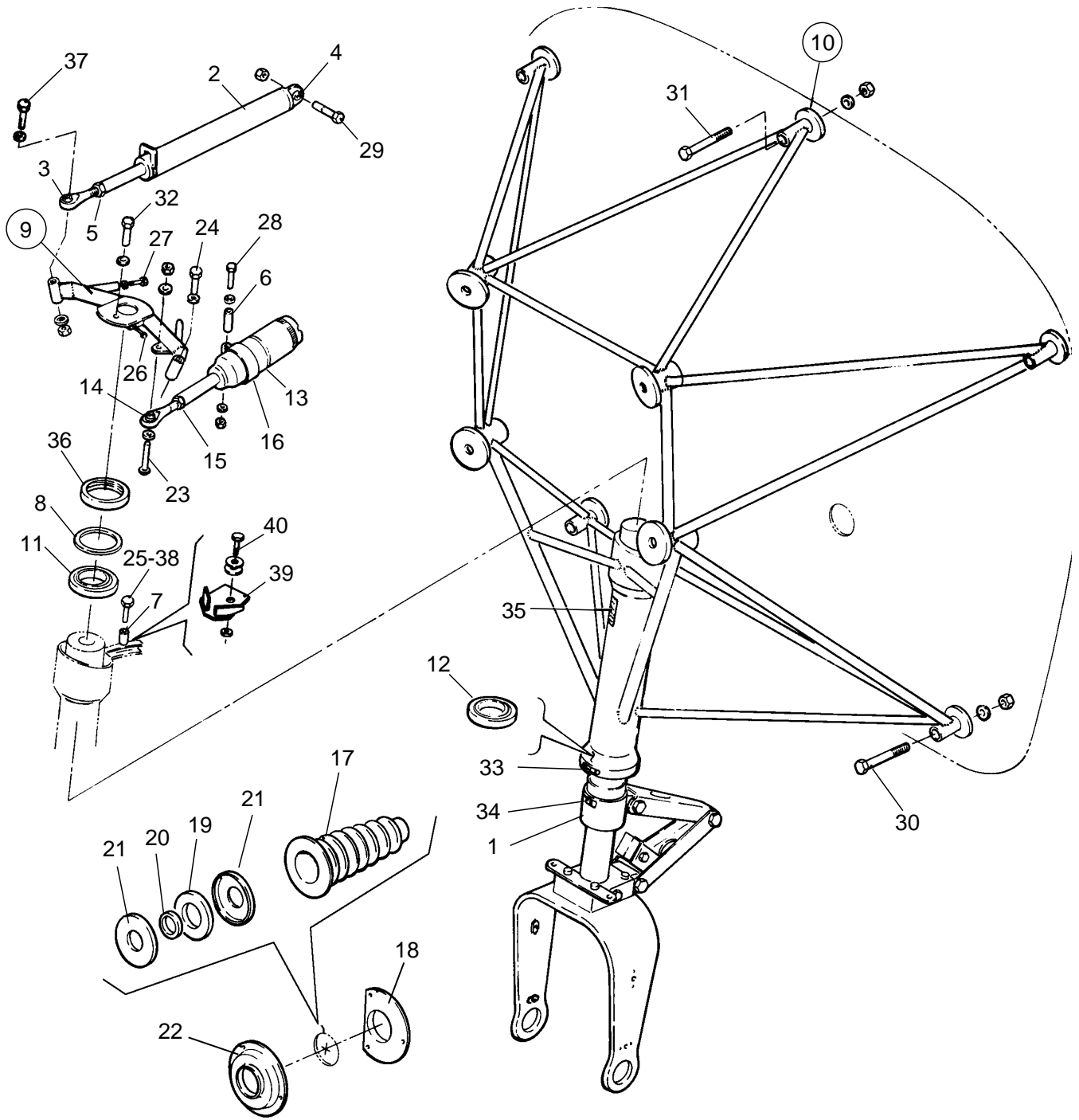


Figure 19. Nose Gear Installation

Reissued: June 1, 1990

**PIPER AIRCRAFT
PA-28-236 DAKOTA
AIRPLANE PARTS CATALOG**

CODE EXPLANATIONS FOR FIGURE 19

- A - See Figure 20 for component parts.
- B - Used if shock absorber is stamped with Monroe part number 18756.
- C - Used on serial numbers 28-7911001 thru 28-7911052, 28-7911054 thru 28-7911114, and 28-7911116 thru 28-8311025 if Nose Gear Steering Modification Kit 764 957V has not been installed.
- D - Used on serial numbers 28-7911053, 28-7911115, 28-8411001 and up. Also used on serial numbers 28-7911001 thru 28-7911052, 28-7911054 thru 28-7911114, and 28-7911116 thru 28-8311025, if Nose Gear Steering Modification Kit 764 975 has been installed.

PIPER AIRCRAFT PA-28-236 DAKOTA AIRPLANE PARTS CATALOG

Figure and Index Number	Part Number	Code	Nomenclature	No. Req.	Serial Numbers Affected
19-	76412		DRAWING - Nose Landing Gear Installation		
-1	65010-08	A	STRUT ASSEMBLY - Nose gear (less tire, tube and wheel assembly)	1	
-2	35262-02	C	BUNGEE ASSEMBLY - Nose wheel	2	
	87468-02	D	ROD ASSEMBLY - Nose wheel	2	
-3	452 605	C	* BEARING - (NAS659-3-5) (5/16" male thread)	1	
	452 607	D	* BEARING - (PS10020-14-2)	1	
-4	452 341		* BEARING - (PS10020-9-3)	1	
-5	404 323		* NUT - (AN316-5R)	1	
	407 137		* WASHER - (AN936-A516)	1	
-6	63900-41		BUSHING	1	
-7	63900-138	C	BUSHING	1	
-8	85012-72		WASHER - Nose gear strut	1	
-9	35948-06		HORN ASSEMBLY - Nose wheel steering	1	28-7911001 thru 83-11025
	35948-07		* BRACKET	1	28-7911001 thru 83-11025
	35948-08		** BRACKET	1	28-7911001 thru 83-11025
-10	35943-02		MOUNT ASSEMBLY - Engine	1	
-11	452 419		BEARING - Nose gear upper (15266-00)	1	
-12	452 332		BEARING - Nose gear lower (KP33B)	1	
-13	456 017		DAMPENER ASSEMBLY - Shimmy (PS50152-7)	1	
-14	452 334		* BEARING - Rod end (PS10020-1-6RX)	1	
-15	407 136		* WASHER - (AN936-A416)	1	
	404 225		* NUT - (AN315-4R)	1	
-16	66750-00	B	CLAMP ASSEMBLY - Shimmy dampener	1	
-17	35270-00		BOOT - Nose wheel bungee	2	
-18	35281-00		PLATE - Bungee seal	2	
-19	35282-04		RING - Bungee seal	2	
-20	63656-02		RING - Seal	2	
-21	35283-00		HOUSING - Bungee seal	4	
-22	35284-03		HOUSING - Bungee seal	2	
-23	400 446		BOLT - (AN3-16A)	1	
	407 564		WASHER - (AN960-10)	1	
	62833-101		WASHER	1	
	404 887		NUT - (MS20365-1032C)	1	
-24	400 446		BOLT - (AN3-16A)	2	
	407 584		WASHER - (AN960-10L)	2	
	404 887		NUT - (MS20365-1032C)	2	
	407 564		WASHER - (AN960-10)	2	
-25	424 226	C	PIN - (MS20392-3C59)	1	
	407 585	C	WASHER - (AN960-416L)	1	
	424 051	C	COTTERPIN - (MS24665-132)	1	
-26	402 324		PIN - (AN174-25A)	1	
	407 565		WASHER - (AN960-416)	1	
	404 888		NUT - (MS20365-428C)	1	
-27	402 775		BOLT - (NAS 428-4-12)	2	
	404 322		NUT - (AN316-4R)	2	
-28	400 058	C	BOLT - (AN3-13)	1	
	400 059	D	BOLT - (AN3-14)	1	
	407 584	C	WASHER - (AN960-10L)	2	
	407 564	D	WASHER - (AN960-10)	3	
	404 100		NUT - (AN310-3)	1	
	424 051		COTTER PIN - (MS24665-132)	1	
-29	400 440		BOLT - (AN3-6A)	2	
	404 887		NUT - (MS20365-1032C)	2	

When ordering, always specify Part Number, Description, and Serial Number of Aircraft

PIPER AIRCRAFT PA-28-151/161 WARRIOR AIRPLANE PARTS CATALOG

Figure and Index Number	Part Number	Code	Nomenclature	No. Req.	Serial Numbers Affected
19-30	401 405		BOLT - (AN6-25A)	4	
	407 567		WASHER - (AN960-616)	4	
	401 406		BOLT - (AN6-26A)	1	2811001 and up
	407 587		WASHER - (AN960-616L)	5	2811001 and up
	477 887		NUT - (PS10062-8-624C)	4	
-31	401 410		BOLT - (AN6-31A)	1	
	407 567		WASHER - (AN960-616)	1	
	401 418		BOLT - (AN6-32A)	1	2811001 and up
	407 587		WASHER - (AN960-616L)	5	2811001 and up
	477 887		NUT - (PS10062-8-624C)	1	
-32	401 918		BOLT - (AN74A-3)	1	
-33	35669-10		PLACARD - Turn limit	1	
-34	35669-05		PLACARD - Turn center mark	1	
-35	65368-00		PLACARD - Oleo service instructions	1	
-36	13071-00		NUT - Nose gear	1	
-37	400 446		BOLT - (AN3-16A)	2	
	407 584		WASHER - (AN960-10L)	2	
	62833-101		WASHER	2	
	404 887		NUT - (MS20365-1032C)	2	
-38	400 059	D	BOLT - (AN3-14)	1	
	407 564	D	WASHER - (AN960-10)	1	
	407 584	D	WASHER - (AN960-10L)	1	
	63900-41	D	BUSHING	1	
	404 100	D	NUT - (AN310-3)	1	
	424 051	D	COTTER PIN - (MS24665-132)	1	
-39	87469-02	D	STOP ASSEMBLY - Nose wheel	1	
-40	400 002	D	BOLT - (AN4-5A)	1	
	407 565	D	WASHER - (AN960-416)	1	
	407 585	D	WASHER - (AN960-416L)	1	
	404 888	D	NUT - (MS20365-428C)	1	

When ordering, always specify Part Number, Description, and Serial Number of Aircraft

PIPER AIRCRAFT
PA-28-236 DAKOTA
AIRPLANE PARTS CATALOG

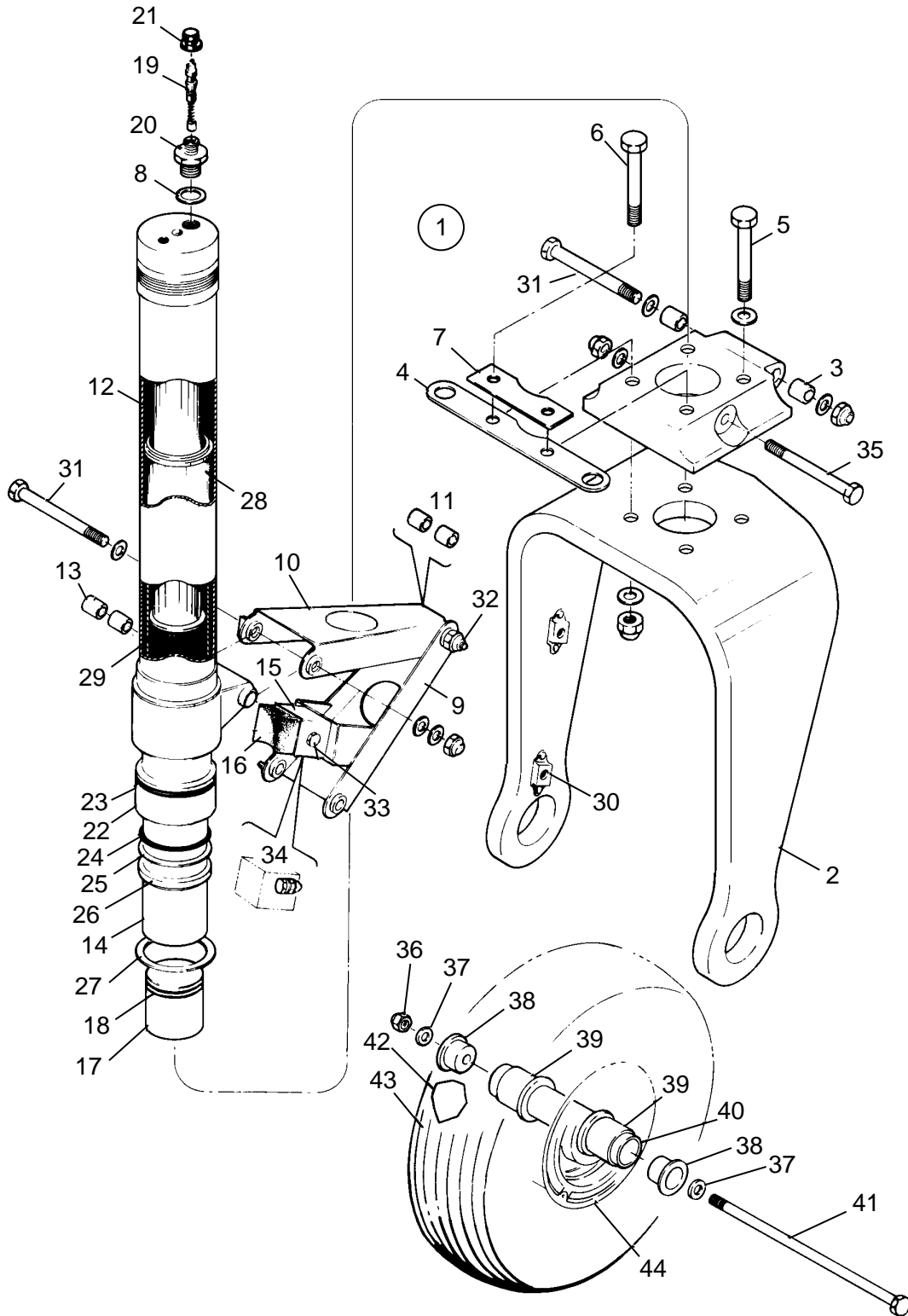


Figure 20. Nose Gear Strut Assembly

Reissued: June 1, 1990

**PIPER AIRCRAFT
PA-28-236 DAKOTA
AIRPLANE PARTS CATALOG**

CODE EXPLANATIONS FOR FIGURE 20

- A - Used with Cleveland Wheel Assembly 40-76F.
- B - Used with McCauley Wheel Assembly D-30665.
- C - See Figure 21 for component parts.
- D - See Figure 22 for component parts.
- E - Before ordering tube assembly, ascertain if the tip of the sleeve bearing (item no. 22) incorporates a .20 inch long by .028 inch deep chamfer in the outer diameter. If the chamfer does not exist, also order a new sleeve bearing P/N 66843-02.

PIPER AIRCRAFT PA-28-236 DAKOTA AIRPLANE PARTS CATALOG

Figure and Index Number	Part Number	Code	Nomenclature	No. Req.	Serial Numbers Affected
20-1	65010-08		STRUT ASSEMBLY - Nose gear (less tire, tube and wheel assembly)	1	
-2	76410-00		* FORK ASSEMBLY - Nose wheel	1	
-3	452 766		** BEARING - Block assembly (P32-4)	2	
-4	65276-00		** LINK - Tow bar	1	
-5	401 400		** BOLT - (AN6-20A)	2	
	407 587		** WASHER - (AN960-616L)	4	
	404 890		** NUT - (MS20365-624C)	2	
-6	401 403		** BOLT - (AN6-23A)	2	
	407 587		** WASHER - (AN960-616L)	2	
	404 890		** NUT - (MS20365-624C)	2	
-7	65432-00		** SPACER - Tow bar	1	
-8	462 024		* GASKET - Air valve (AN901-5A)	1	
-9	65413-00		* LINK ASSEMBLY - Nose wheel, lower	1	
-10	13074-02		* LINK ASSEMBLY - Nose wheel, upper	1	
-11	452 766		** BEARING - (P32-4)	2	
-12	65007-04	E	* TUBE ASSEMBLY - Outer, upper	1	
-13	452 766		** BUSHING - (P32-4)	2	
-14	65280-00		* TUBE - Inner, lower	1	
-15	79071-00		* BRACKET ASSEMBLY - Bumper block	1	
-16	79072-00		* BLOCK - Bumper	1	
-17	15206-02		* PLUG - Nose wheel oleo piston tube	1	
-18	484 733		* "O" RING - Piston tube (15207-00)	1	
-19	455 124		* CORE - Air valve (AN809-1)	1	
-20	453 124		* VALVE - Air valve (AN812-1)	1	
-21	454 053		* CAP - Air valve (AN813-1B)	1	
-22	66843-02		* BEARING - Sleeve	1	
-23	462 050		* PACKING - O-RING (AN6230-2)	1	
-24	484 770		* PACKING - Quad ring (4222)	1	
-25	494 025		* WASHER - Back-up (AN6246-27)	1	
-26	187 625		* STRIP - Wiper (10V70) 5 1/4" L	1	
-27	484 705		* RING - Retaining (5000-200)	1	
-28	484 720		* SNAP RING - (3478)	1	
-29	484 683		* RING - Piston (1 1/4" dia. x 3/32" R19046)	1	
-30	406 830		* NUT - Anchor (NAS 686A4)	4	
-31	401 370		* BOLT - (AN5-31A)	2	
	407 566		* WASHER - (AN960-516)	2	
	404 889		* NUT - (MS20365-524C)	2	
-32	401 359		* BOLT - (AN5-20A)	1	
	407 566		* WASHER - (AN960-516)	1	
	404 889		* NUT - (MS20365-524C)	1	
-33	401 273		* BOLT - (AN3-14A)	1	
	407 564		* WASHER - (AN960-10)	2	
	404 887		* NUT - (MS20365-1032C)	1	
-34	400 438		* BOLT - (AN3-4A)	1	
	407 564		* WASHER - (AN960-10)	1	
	404 887		* NUT - (MS20365-1032C)	1	
-35	401 330		* BOLT - (AN4-32A)	1	
	407 565		* WASHER - (AN960-416)	1	
	404 888		* NUT - (MS20365-428C)	1	
-36	404 838		NUT - (MS20365-624C)	1	
-37	407 567		WASHER - (AN960-616)	2	
-38	35158-02		PLUG - Axle	2	
-39	66618-02	B	TUBE - Spacer	2	
	66618-03	A	TUBE - Spacer	2	
-40	86062-56		TUBE - Axle	1	
-41	401 456		BOLT - Axle (AN6-76A)	1	
-42	451 735		TUBE - (6.00 x 6)	1	

When ordering, always specify Part Number, Description, and Serial Number of Aircraft

**PIPER AIRCRAFT
PA-28-236 DAKOTA
AIRPLANE PARTS CATALOG**

Figure and Index Number	Part Number	Code	Nomenclature	No. Req.	Serial Numbers Affected
20-43	761 972		TIRE - (6.00 x 6, 6 ply) B.F. Goodrich	1	
	761 995		TIRE - (6.00 x 6, 6 ply) McCreary Airhawk	1	
-44	551 785	C	WHEEL ASSEMBLY - Nose (Cleveland 40-56B)	1	
	551 779	D	WHEEL ASSEMBLY - Nose (McCauley D-30665)	1	

When ordering, always specify Part Number, Description, and Serial Number of Aircraft

PIPER AIRCRAFT
PA-28-236 DAKOTA
AIRPLANE PARTS CATALOG

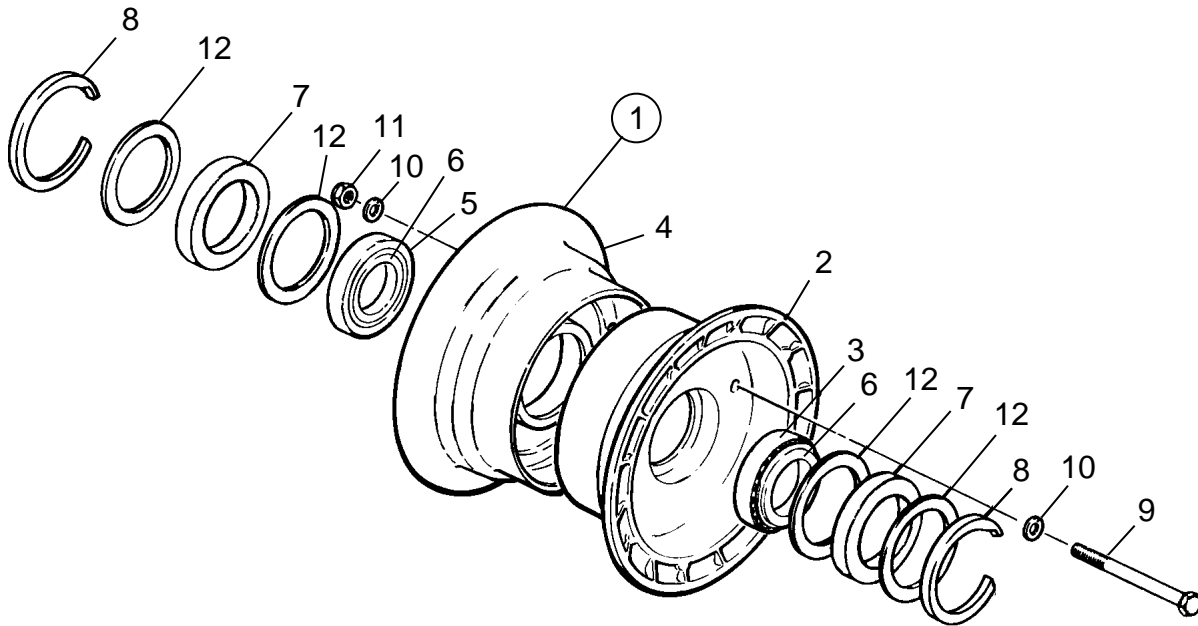


Figure 21. Nose Wheel Assembly (Cleveland)

Reissued: June 1, 1990

**PIPER AIRCRAFT
PA-28-236 DAKOTA
AIRPLANE PARTS CATALOG**

CODE EXPLANATIONS FOR FIGURE 21

**PIPER AIRCRAFT
PA-28-236 DAKOTA
AIRPLANE PARTS CATALOG**

Figure and Index Number	Part Number	Code	Nomenclature	No. Req.	Serial Numbers Affected
21-1	551 785		WHEEL ASSEMBLY - Nose (Cleveland 40-56)	1	
-2	763 718		WHEEL HALF ASSEMBLY - Outer (162-69) (with valve hole)	1	
-3	763 287		CUP - Bearing (LM29710)	1	
-4	763 719		WHEEL HALF ASSEMBLY - Inner (161-74)	1	
-5	763 287		CUP - Bearing (LM29710)	1	
-6	753 448		BEARING - Cone (LM29749)	2	
-7	751 819		FELT - Grease seal (154-14)	2	
-8	752 830		RING - Snap (3023)	2	
-9	758 456		BOLT - Wheel (AN5-34A)	3	
-10	407 566		WASHER - Wheel bolt (AN960-516)	6	
-11	404 889		NUT - Wheel bolt (AN365-524)	3	
-12	755 964		RING - Grease seal (153-9)	4	

When ordering, always specify Part Number, Description, and Serial Number of Aircraft

PIPER AIRCRAFT
PA-28-236 DAKOTA
AIRPLANE PARTS CATALOG

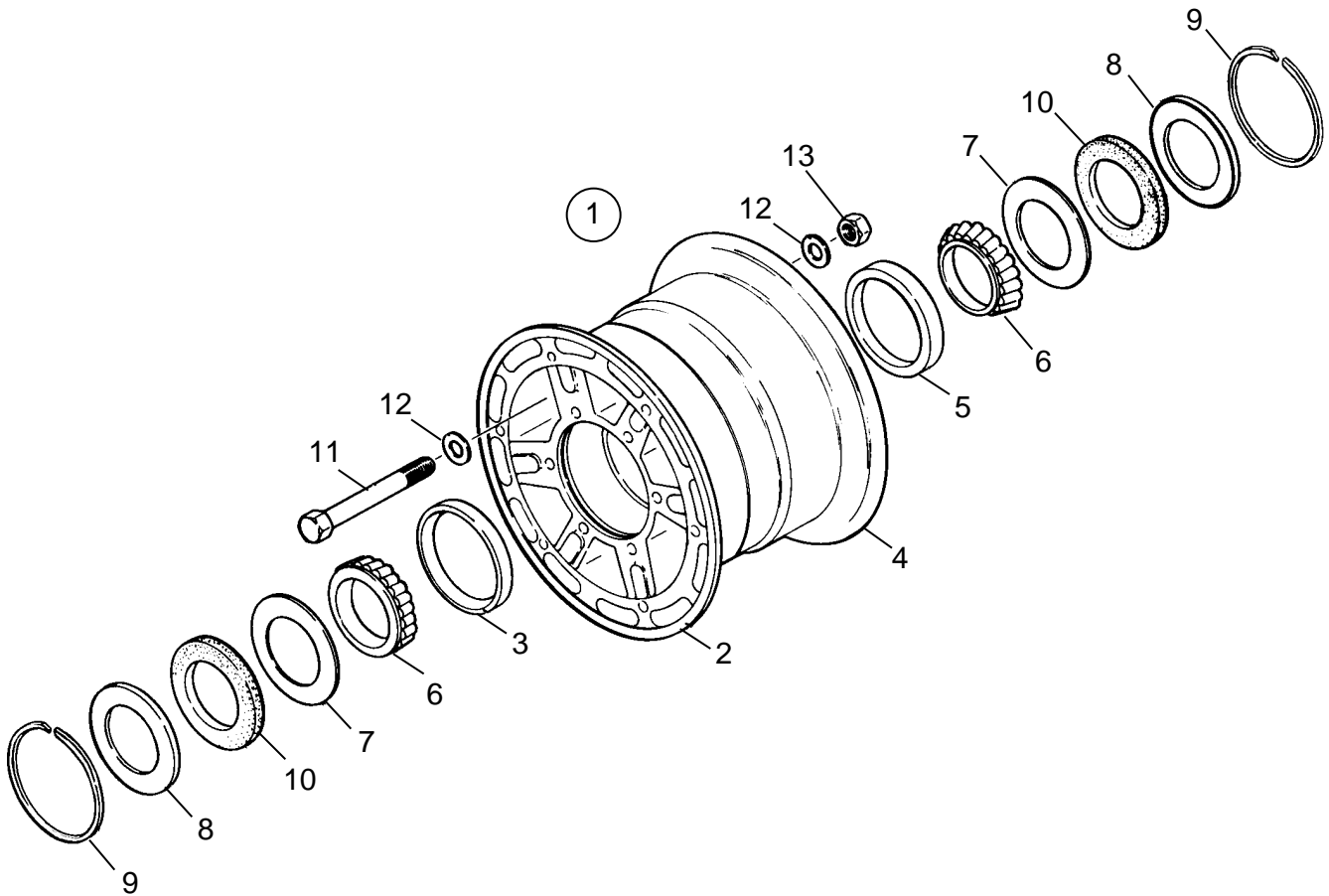


Figure 22. Nose Wheel Assembly (McCauley)

Reissued: June 1, 1990

**PIPER AIRCRAFT
PA-28-236 DAKOTA
AIRPLANE PARTS CATALOG**

CODE EXPLANATIONS FOR FIGURE 22

**PIPER AIRCRAFT
PA-28-236 DAKOTA
AIRPLANE PARTS CATALOG**

Figure and Index Number	Part Number	Code	Nomenclature	No. Req.	Serial Numbers Affected
22-1	551 779		WHEEL ASSEMBLY - Nose (D-30665)	1	
-2	763 712		* WHEEL - Half, inner (D-30667)	1	
-3	763 216		** CUP - Bearing (A-30079-1)	1	
-4	763 713		* WHEEL - Half, outer (D-30657)	1	
-5	763 216		** CUP - Bearing (A-30079-1)	1	
-6	758 392		* BEARING - Cone (A-30079-2)	2	
-7	762 559		* RETAINER - (A-30015)	2	
-8	762 558		* RETAINER - (A-30014)	2	
-9	762 562		* RING - Retaining (A-1636-24)	2	
-10	754 855		* FELT - Retainer (A-30010)	2	
-11	758 394		* BOLT - (A-2513-75)	3	
-12	756 685		* WASHER - (A-1638-1)	6	
-13	752 571		* NUT - (A-1639-1)	3	

When ordering, always specify Part Number, Description, and Serial Number of Aircraft

PIPER AIRCRAFT
PA-28-236 DAKOTA
AIRPLANE PARTS CATALOG

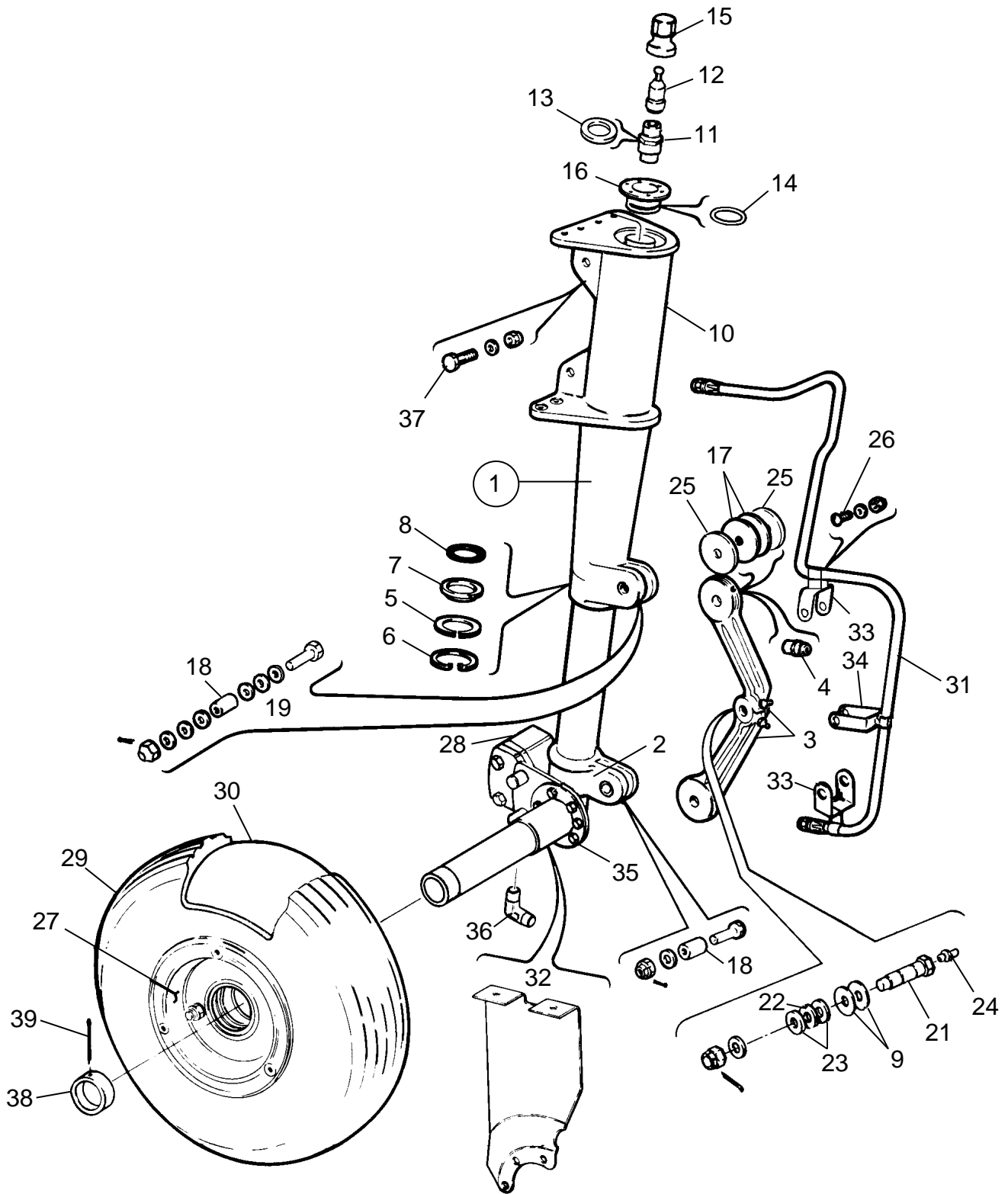


Figure 23. Main Gear Installation

Reissued: June 1, 1990

**PIPER AIRCRAFT
PA-28-236 DAKOTA
AIRPLANE PARTS CATALOG**

CODE EXPLANATIONS FOR FIGURE 23

- A - See Figure 24 for component parts.
- B - See Figure 25 for component parts.
- C - See Figure 24A for component parts.
- D - See Figure 26 for component parts.
- E - Used if heavy duty brakes, wheels and tires are installed.

PIPER AIRCRAFT PA-28-236 DAKOTA AIRPLANE PARTS CATALOG

Figure and Index Number	Part Number	Code	Nomenclature	No. Req.	Serial Numbers Affected
23-	63318		DRAWING - Main Gear Installation		
-1	65493-10		GEAR ASSEMBLY - Main, left (less tire, tube, wheel and brake assembly)	1	
	65493-11		GEAR ASSEMBLY - Main, right (less tire, tube, wheel and brake assembly)	1	
-2	78738-04		* STUB AXLE ASSEMBLY - Left	1	
	78738-05		* STUB AXLE ASSEMBLY - Right	1	
-3	78033-00		* LINK ASSEMBLY - Torque	2	
-4	460 691		** FITTING - Lubricator (AN944-101)	2	
-5	63307-00		* RING - Piston spacer	1	
-6	63314-00		* RETAINING RING - Piston	1	
-7	486 188		* RING - Scraper (AN6231-18)	1	
-8	484 769		* PACKING - Quad ring (4326)	1	
-9	62833-27		* WASHER - Torque link bolt	2	
-10	65489-00		* CYLINDER	1	
-11	453 124		** VALVE - (AN812-1) Air	1	
-12	455 124		** CORE - (AN809-1) Air valve	1	
-13	462 024		** GASKET - Air valve (AN901-5A)	1	
-14	484 789		** O-RING - (MS28775-116)	1	
-15	454 053		** CAP - (AN813-1B) Air valve	1	
-16	65485-00		** CYLINDER HEAD	1	
	462 036		** O-RING - (AN6230-9)	2	
-17	63311-00		* WASHER - Bearing (.063 thick)	4	
-18	63310-00		* SPACER - Torque link	2	
-19	400 166		* BOLT - (AN5-23)	1	
	407 586		* WASHER - (AN960-516L)	AR	
	407 566		* WASHER - (AN960-516)	4	
	404 122		* NUT - (AN310-C5)	1	
	424 095		* COTTER PIN - (MS24665-151)	1	
-20	400 165		* BOLT - (AN5-22)	1	
	407 586		* WASHER - (AN960-516L)	AR	
	407 566		* WASHER - (AN960-516)	4	
	404 122		* NUT - (AN310-C5)	1	
	424 095		* COTTER PIN - (MS24665-151)	1	
-21	400 302		* BOLT - (AN8-21)	1	
	407 569		* WASHER - (AN960-816)	AR	
	407 589		* WASHER - (AN960-816L)	2	
	404 105		* NUT - (AN310-8)	1	
	424 059		* COTTER PIN - (MS24665-283)	1	
-22	63312-00		* WASHER - Torque link spacer	1	
-23	63312-02		* WASHER - Torque link bolt	2	
-24	460 691		* FITTING - Lubricator (AN944-101)	1	
-25	63311-03		* WASHER - Bearing (.005 thick)	AR	
-26	415 518		SCREW - (MS35206-228)	3	
	407 562		WASHER - (AN960-6)	6	
	404 909		NUT - (MS20365-632C)	3	
-27	551 764	A	WHEEL ASSEMBLY - (40-86C)	1	
	551 765	C,E	WHEEL ASSEMBLY - (40-90C) (heavy duty)	1	28-8111001 and up
-28	551 705	B	BRAKE ASSEMBLY - (30-55)	1	
	551 706	D,E	BRAKE ASSEMBLY - (30-65) (heavy duty)	1	28-8111001 and up
-29	451 724		TIRE - (6.00 x 6, 6 ply) Type III McCreary	1	
	761 972		TIRE - (6.00 x 6, 6 ply) B. F. Goodrich	1	
	761 995		TIRE - (6.00 x 6, 6 ply) McCreary Airhawk	1	
	761 957	E	TIRE - (6.00 x 6, 8 ply) B. F. Goodrich (heavy duty)	2	28-8111001 and up
	761 996	E	TIRE - (6.00 x 6, 8 ply) McCreary Airhawk (heavy duty)	2	28-8111001 and up

When ordering, always specify Part Number, Description, and Serial Number of Aircraft

**PIPER AIRCRAFT
PA-28-236 DAKOTA
AIRPLANE PARTS CATALOG**

Figure and Index Number	Part Number	Code	Nomenclature	No. Req.	Serial Numbers Affected
23-30	451 735		TUBE - (6.00 x 6)	1	
-31	63901-17		HOSE - Brake line	1	
-32	37880-02		BRACKET ASSEMBLY - Wheel fairing, left	1	
	37880-03		BRACKET ASSEMBLY - Wheel fairing, right	1	
-33	63332-03		CLIP - Hose, top and bottom	2	
-34	63332-06		CLIP - Hose, center	1	
-35	400 003		BOLT - (AN4-6A)	6	
	407 565		WASHER - (AN960-416)	12	
	404 888		NUT - (MS20365-428C)	6	
-36	458 894		ELBOW - (AN822-4D)	1	
-37	400 003		BOLT - (AN4-6A)	2	
	407 565		WASHER - (AN960-416)	2	
	404 888		NUT - (MS20365-428C)	2	
-38	66820-00		NUT - Wheel retainer	1	
-39	424 071		COTTER PIN - (MS24665-360)	1	

When ordering, always specify Part Number, Description, and Serial Number of Aircraft

PIPER AIRCRAFT
PA-28-236 DAKOTA
AIRPLANE PARTS CATALOG

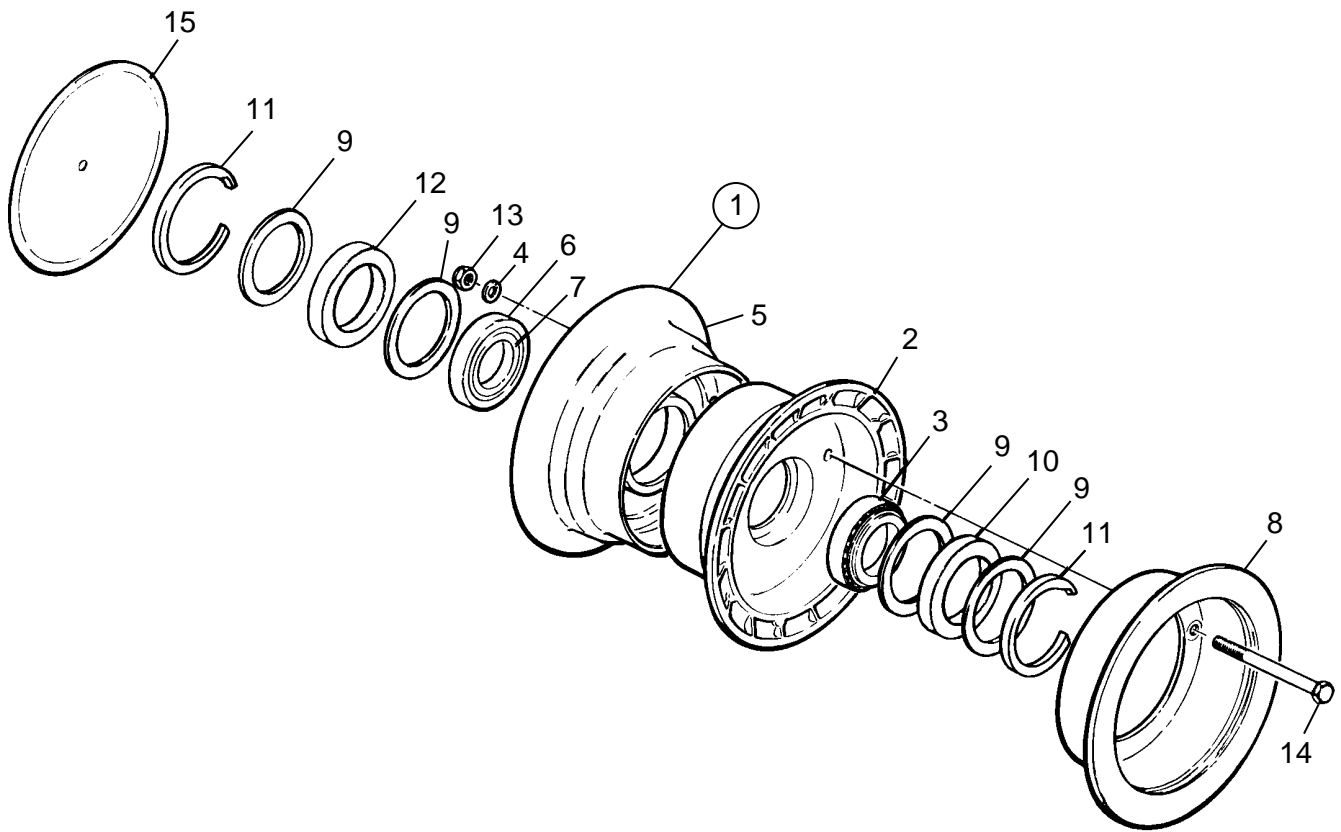


Figure 24. Main Wheel Assembly

Reissued: June 1, 1990

**PIPER AIRCRAFT
PA-28-236 DAKOTA
AIRPLANE PARTS CATALOG**

CODE EXPLANATIONS FOR FIGURE 24

**PIPER AIRCRAFT
PA-28-236 DAKOTA
AIRPLANE PARTS CATALOG**

Figure and Index Number	Part Number	Code	Nomenclature	No. Req.	Serial Numbers Affected
24-1	551 764		WHEEL ASSEMBLY - Main (40-86B)	2	
-2	756 666		* WHEEL HALF ASSEMBLY - Inner (161-47)	1	
-3	751 494		** CUP - Bearing (13836)	1	
-4	407 566		* WASHER - Wheel bolt (AN960-516)	3	
-5	756 665		* WHEEL HALF ASSEMBLY - Outer (162-45)	1	
-6	751 494		** CUP - Bearing (13836)	1	
-7	751 489		* BEARING - Cone, Timken (13889)	2	
-8	754 535		* DISC ASSEMBLY - Brake (164-20)	1	
-9	755 999		* RING - Grease seal (153-4)	4	
-10	751 772		* FELT - Grease seal (3021)	1	
-11	752 830		* RING - Snap (3023)	2	
-12	751 772		* FELT - Grease seal (3021)	1	
-13	404 889		* NUT - Wheel bolt (AN365-524)	3	
-14	751 405		* BOLT - Wheel (AN5-35A)	3	
-15	83710-02		* WHEEL COVER	2	
	407 120		* WASHER - (AN936-B8)	6	
	415 531		* SCREW - (MS35206-241)	6	

When ordering, always specify Part Number, Description, and Serial Number of Aircraft

PIPER AIRCRAFT
PA-28-236 DAKOTA
AIRPLANE PARTS CATALOG

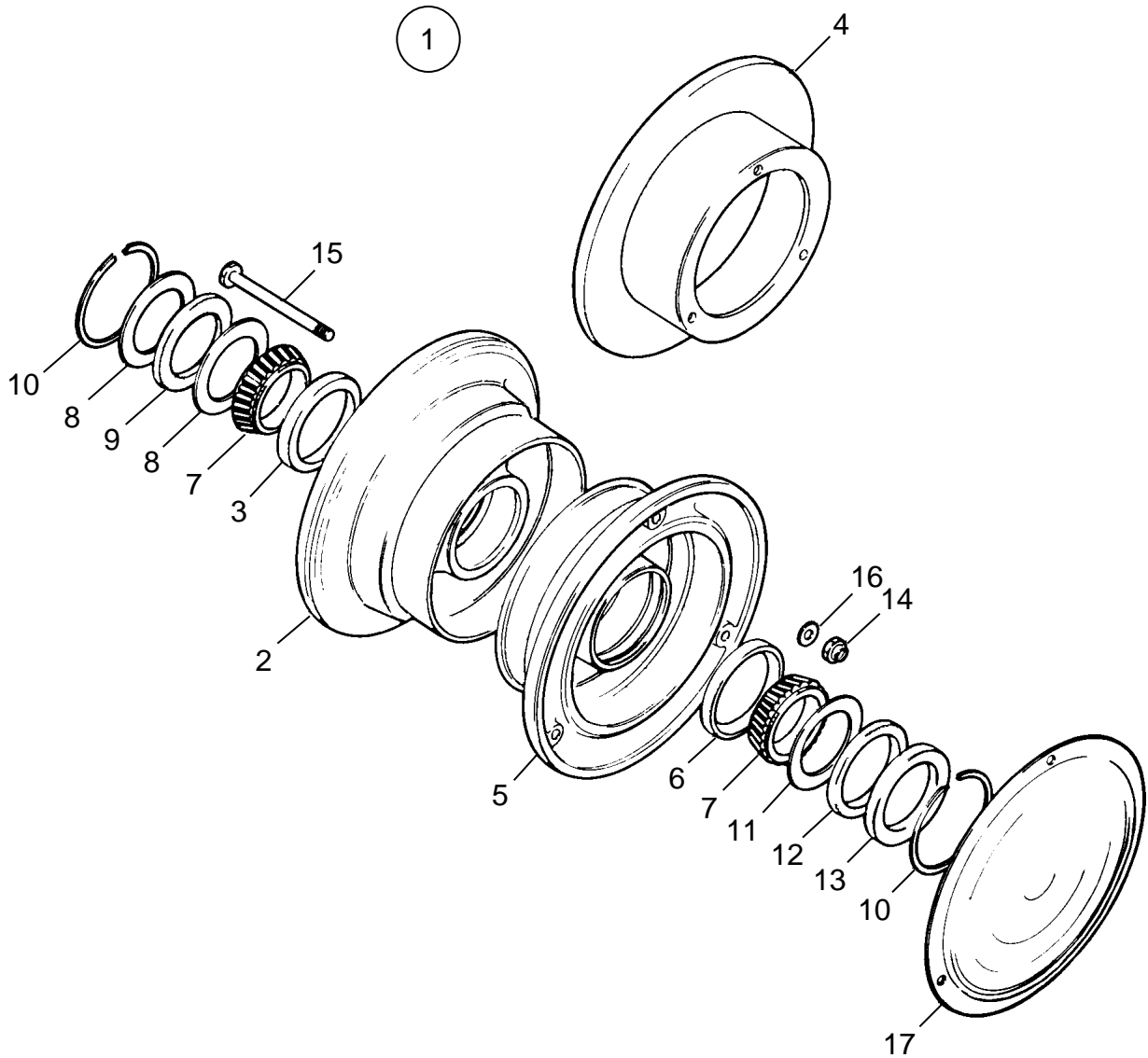


Figure 24A. Main Wheel Assembly (Heavy Duty)
(Serial Nos. 28-8111001 and up)

Reissued: June 1, 1990

**PIPER AIRCRAFT
PA-28-236 DAKOTA
AIRPLANE PARTS CATALOG**

CODE EXPLANATIONS FOR FIGURE 24A

**PIPER AIRCRAFT
PA-28-236 DAKOTA
AIRPLANE PARTS CATALOG**

Figure and Index Number	Part Number	Code	Nomenclature	No. Req.	Serial Numbers Affected
24A-1	551 765		WHEEL ASSEMBLY - Main (Cleveland 40-90A) (heavy duty)	2	
-2	756 666		* WHEEL - Half, inner (161-47)	1	
-3	751 494		** CUP - Bearing (13836)	1	
-4	754 643		* DISC ASSEMBLY - Brake (164-23)	1	
-5	756 665		* WHEEL - Half, outer (162-45)	1	
-6	751 494		** CUP - Bearing (13836)	1	
-7	751 489		* BEARING - Cone, Timken (13889)	2	
-8	755 999		* RING - Grease seal (153-4)	2	
-9	751 772		* FELT - Grease seal (154-3)	1	
-10	752 830		* RING - Snap (155-1)	2	
-11	755 929		* RING - Grease seal (153-3)	1	
-12	751 810		* FELT - Grease seal (154-13)	1	
-13	755 930		* RING - Grease seal (153-15)	1	
-14	404 889		* NUT - Wheel bolt (AN365-524)	3	
-15	753 473		* BOLT - Wheel (AN5-36A)	3	
-16	407 566		* WASHER - Wheel bolt (AN960-516)	9	
-17	83710-02		* WHEEL COVER	2	
	407 120		* WASHER - (AN936-B8)	6	
	415 531		* SCREW - (MS35206-241)	6	

When ordering, always specify Part Number, Description, and Serial Number of Aircraft

PIPER AIRCRAFT
PA-28-236 DAKOTA
AIRPLANE PARTS CATALOG

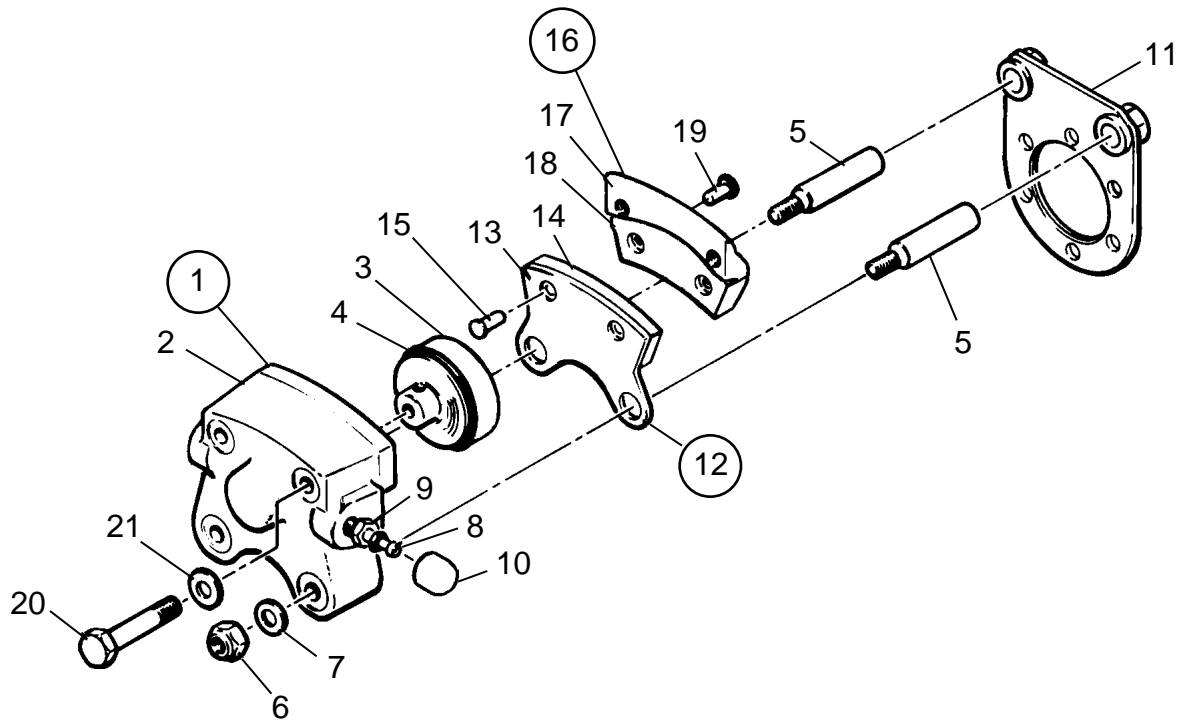


Figure 25. Brake Assembly

Reissued: June 1, 1990

**PIPER AIRCRAFT
PA-28-236 DAKOTA
AIRPLANE PARTS CATALOG**

CODE EXPLANATIONS FOR FIGURE 25

**PIPER AIRCRAFT
PA-28-236 DAKOTA
AIRPLANE PARTS CATALOG**

Figure and Index Number	Part Number	Code	Nomenclature	No. Req.	Serial Numbers Affected
25-1	551 705		BRAKE ASSEMBLY - (30-55)	2	
-2	753 920		* CYLINDER - Brake (61-21)	1	
-3	755 887		* PISTON - (62-15)	1	
-4	484 698		* O-RING - (AN6227-27)	1	
-5	753 407		* BOLT - Anchor (69-4)	2	
-6	404 836		* NUT - Anchor bolt (MS20364-428C)	2	
-7	407 585		* WASHER - Anchor bolt (AN960-416L)	2	
-8	752 965		* SCREW - Bleeder (FC6446)	1	
-9	752 966		* SEAT - Bleeder (37-206)	1	
-10	753 850		* CAP - Bleeder (183-1)	1	
-11	755 818		* TORQUE PLATE ASSEMBLY - (75-16)	1	
-12	755 883		* PLATE ASSEMBLY - Pressure (73-11)	1	
-13	755 884		** PLATE - Pressure (63-12)	1	
-14	752 342		** LINING - (66-105)	1	
-15	752 826		** RIVET - (561)	2	
-16	755 885		* PLATE ASSEMBLY - Back (74-10)	1	
-17	755 886		** PLATE - Back (64-15)	1	
-18	752 342		** LINING - (66-30)	1	
-19	752 826		** RIVET - (561)	2	
-20	753 408		* BOLT - Through (LP4-17AM)	2	
-21	407 585		* WASHER - Through bolt (AN960-416L)	2	

When ordering, always specify Part Number, Description, and Serial Number of Aircraft

PIPER AIRCRAFT
PA-28-236 DAKOTA
AIRPLANE PARTS CATALOG

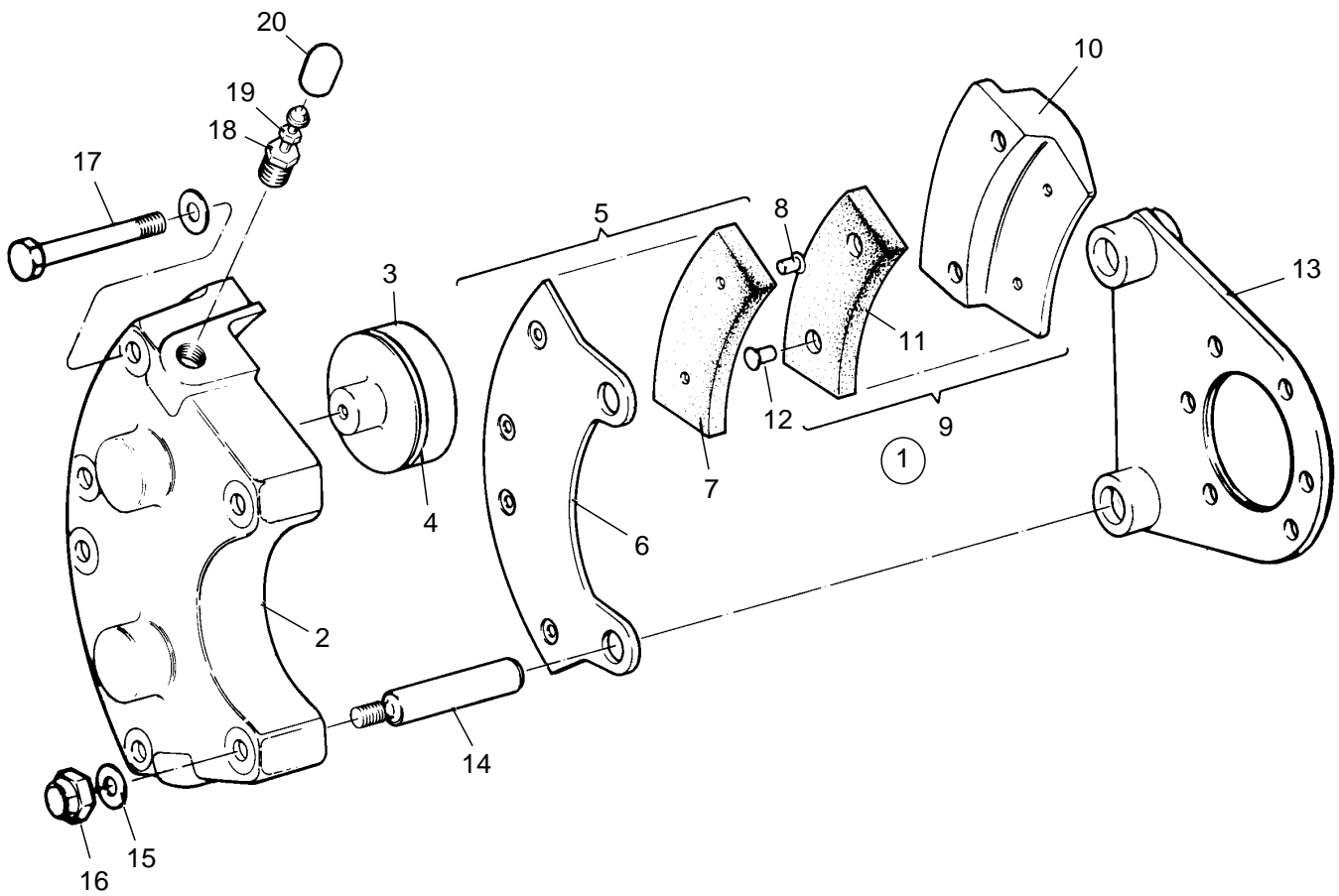


Figure 26. Brake Assembly (Heavy Duty)
(Serial Nos. 28-8111001 and up)

**PIPER AIRCRAFT
PA-28-236 DAKOTA
AIRPLANE PARTS CATALOG**

CODE EXPLANATIONS FOR FIGURE 26

PIPER AIRCRAFT PA-28-236 DAKOTA AIRPLANE PARTS CATALOG

Figure and Index Number	Part Number	Code	Nomenclature	No. Req.	Serial Numbers Affected
26-1	551 706		BRAKE ASSEMBLY - (30-65) (heavy duty)	2	
-2	753 936		* CYLINDER - Brake (61-18)	1	
-3	755 887		* PISTON - (62-15)	2	
-4	484 698		* O-RING - (AN6227-27)	2	
-5	757 207		* PLATE ASSEMBLY - Pressure (73-10)	1	
-6	757 208		** PLATE - Pressure (63-11)	1	
-7	752 342		** LINING - Pressure plate (66-30)	2	
-8	752 826		** RIVET - Pressure plate lining (561)	4	
-9	755 885		* PLATE ASSEMBLY - Back (74-10)	2	
-10	755 886		** PLATE - Back (64-15)	2	
-11	752 342		** LINING - Back plate (66-30)	2	
-12	752 826		** RIVET - Back plate lining (561)	4	
-13	451 786		* TORQUE PLATE ASSEMBLY - (75-39)	1	
-14	753 407		* BOLT - Anchor (69-4)	2	
-15	407 585		* WASHER - (AN960-416L)	6	
-16	404 888		* NUT - (AN365-328) (MS20365-428C)	2	
-17	753 430		* BOLT - (LP4-20AM)	4	
-18	752 966		* SEAT - Bleeder (37-206)	1	
-19	752 965		* SCREW - Bleeder (FC-6446)	1	
-20	753 850		* CAP - Bleeder (183-1)	1	

When ordering, always specify Part Number, Description, and Serial Number of Aircraft

PIPER AIRCRAFT
PA-28-236 DAKOTA
AIRPLANE PARTS CATALOG

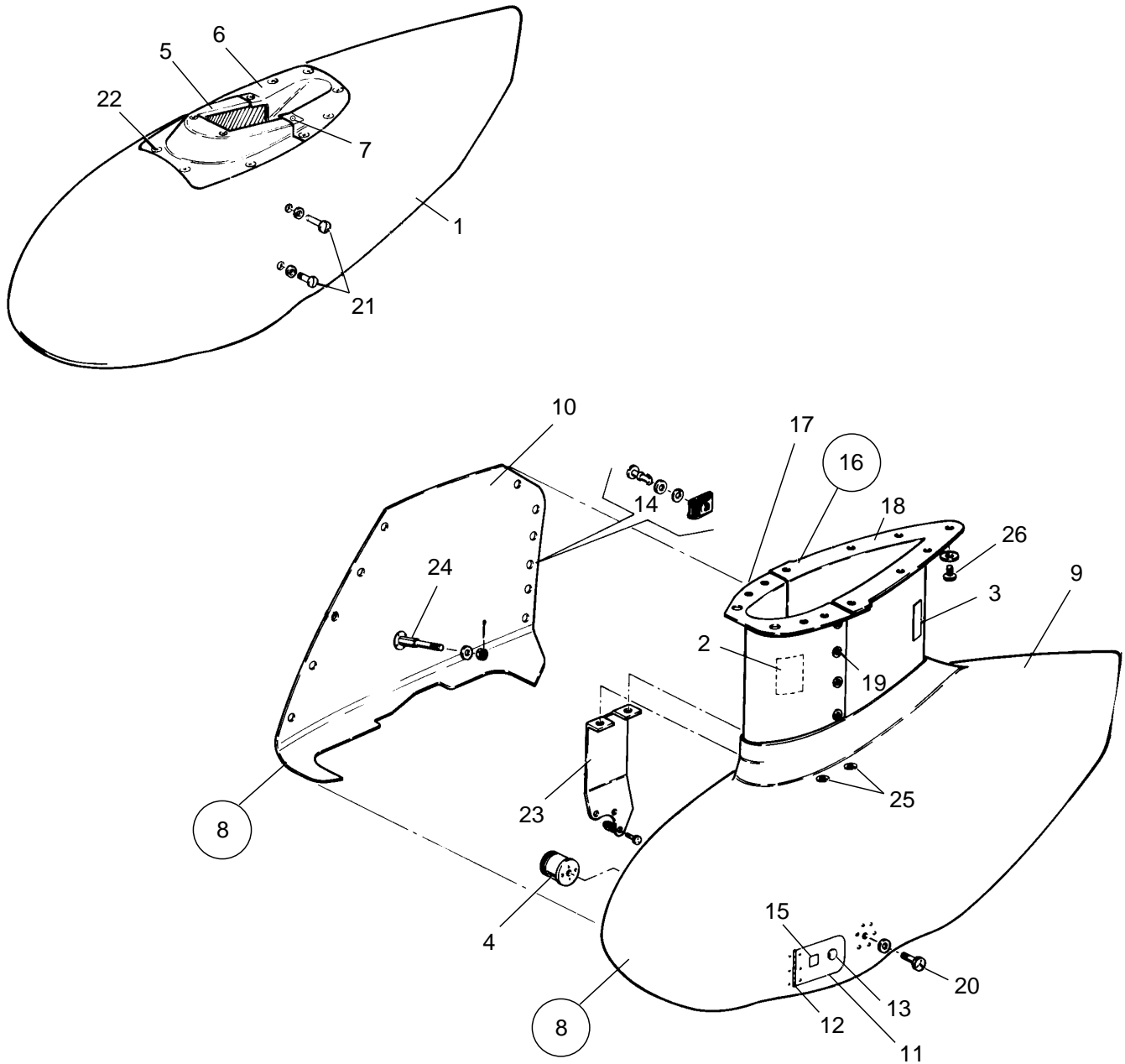


Figure 27. Main and Nose Wheel Fairing Installation

Reissued: June 1, 1990

**PIPER AIRCRAFT
PA-28-236 DAKOTA
AIRPLANE PARTS CATALOG**

CODE EXPLANATIONS FOR FIGURE 27

- A - Ascertain if Main Landing Gear Fiberglass Wheel and Strut Fairing Replacement Kit 763 918 has been installed on serial numbers 28-7911001 thru 28-7911079 per Service Letter 862. (New fiberglass fairings are identified by camloc fasteners attaching inner and outer fairing halves together. Obsolete cycolac fairings are identified by screws, washers and nuts attaching inner and outer fairing halves together). If Kit 963 918 has been installed per Service Letter 862, order individual items listed for serial numbers 28-7911080 and up as desired. If Kit 763 918 has not been installed on serial numbers 28-7911001 thru 28-7911079, and individual items are desired for a particular wheel, one of the following Main Landing Gear Fiberglass Wheel and Strut Fairing Kits must be ordered as a replacement: 763 956 for left wheel or 763 957 for right wheel. After above listed Kit/Kits has been installed on aircraft, order individual fiberglass items listed for serial numbers 28-7911080 and up.
- B - Used with cycolac fairing assemblies only.
- C - Used with fiberglass fairing assemblies only.

PIPER AIRCRAFT PA-28-236 DAKOTA AIRPLANE PARTS CATALOG

Figure and Index Number	Part Number	Code	Nomenclature	No. Req.	Serial Numbers Affected
27-	37896 79893		DRAWING - Nose Wheel Fairing Installation DRAWING - Main Wheel Fairing Installation (Fiberglass)		
-1	35944-02		FAIRING ASSEMBLY - Nose wheel (fiberglass)	1	
-2	65369-00	C	PLACARD - Oleo service instructions	2	
-3	35669-23		PLACARD - Gear	1	
-4	66821-04	B	SUPPORT ASSEMBLY - Wheel fairing, main (1.44 long)	1	
	66821-05	C	SUPPORT ASSEMBLY - Wheel fairing, main (1.62 long)	1	
-5	37926-03		COVER - Nose wheel fairing, forward	1	
-6	35946-02		COVER - Nose wheel fairing, aft	1	
-7	486 218		SCREW - (PS10015-F8-16BL)	2	
	494 037		WASHER - (PS10092-1-3C)	2	
	477 640		NUT - (PS10062-5-3)	2	
-8	79890-900	A	FAIRING ASSEMBLY - Main wheel, left, complete (fiberglass)	1	28-7911080 and up
	79890-901	A	FAIRING ASSEMBLY - Main wheel, right, complete (fiberglass)	1	28-7911080 and up
-9	79890-43	A	* SHELL ASSEMBLY - Main, outboard, left (fiberglass)	1	28-7911080 and up
	79890-44	A	* SHELL ASSEMBLY - Main, outboard, right (fiberglass)	1	28-7911080 and up
-10	79890-45	A	* ACCESS ASSEMBLY - Main, inboard, left (fiberglass)	1	28-7911080 and up
	79890-46	A	* ACCESS ASSEMBLY - Main, inboard, right (fiberglass)	1	
-11	37882-02		* DOOR ASSEMBLY - Wheel fairing	1	
-12	37882-04		** HINGE ASSEMBLY - Door	1	
-13	472 017		** LATCH - Door (KM610-32)	1	
-14	414 793	B	* SCREW - (MS24693-S50)	26	
	494 101	B	* WASHER - (PS10092-1-2C)	26	
	477 640	B	* NUT - (PS10062-5-3)	26	
	587 594	C	* STUD - (PS10077-1-9)	15	
	594 003	C	* SEAL - Washer (85-43-201-38)	15	
	584 140	C	* RETAINER - (PS10077-1-66)	15	
	484 198	C	* RECEPTACLE - (PS10077-1-63)	15	
-15	35669-44	B	* PLACARD - Tire pressure	1	
-16	79892-02	A	FAIRING ASSEMBLY - Main gear, strut, L, comp. (fiberglass)	1	28-7911080 and up
	79892-03	A	FAIRING ASSEMBLY - Main gear, strut, R, comp. (fiberglass)	1	28-7911080 and up
-17	79892-04	A	* FAIRING ASSEMBLY - Main gear strut, fwd, left (fiberglass)	1	28-7911080 and up
	79892-05	A	* FAIRING ASSEMBLY - Main gear, strut, fwd, right (fiberglass)	1	28-7911080 and up
-18	79892-10		* FAIRING ASSEMBLY - Main gear strut, aft, left (fiberglass)	1	28-7911080 and up
	79892-09		* FAIRING ASSEMBLY - Main gear strut, aft, right (fiberglass)	1	28-7911080 and up
-19	486 218	B	* SCREW - (PS10015-F8-16BL)	8	
	494 037	B	* WASHER - (PS10092-1-3C)	8	
	477 816	B	* NUT - (PS10062-5-9)	8	
	587 593	C	* STUD - (PS10077-1-8)	8	
	594 003	C	* SEAL - Washer (85-43-201-38)	8	
	584 140	C	* RETAINER - (PS10077-1-66)	8	
	484 198	C	* RECEPTACLE - (PS10077-1-63)	8	
-20	400 004		BOLT - (AN4-7A)	1	
	407 565		WASHER - (AN960-416)	1	
-21	401 312		BOLT - (AN4-12A)	4	
	407 565		WASHER - (AN960-416)	8	
-22	414 762		SCREW - (MS24693-S51)	10	
	494 101		WASHER - (PS10092-1-2C)	10	
-23	37880-02		BRACKET ASSEMBLY - Wheel fairing, left	1	
	37880-03		BRACKET ASSEMBLY - Wheel fairing, right	1	
-24	37881-02	B	BOLT - Main wheel fairing attachment (3.96 long)	2	
	37881-03	C	BOLT - Main wheel fairing attachment (4.22 long)	2	
	407 565		WASHER - (AN960-416)	AR	
	404 888		NUT - (MS20365-428C)	2	
-25	416 633		SCREW - (MS24693-S273)	2	
	494 037		WASHER - (PS10092-1-3C)	2	
-26	414 762		SCREW - (MS24693-S51)	13	
	494 101		WASHER - (PS10092-1-2C)	13	

When ordering, always specify Part Number, Description, and Serial Number of Aircraft

PIPER AIRCRAFT
PA-28-236 DAKOTA
AIRPLANE PARTS CATALOG

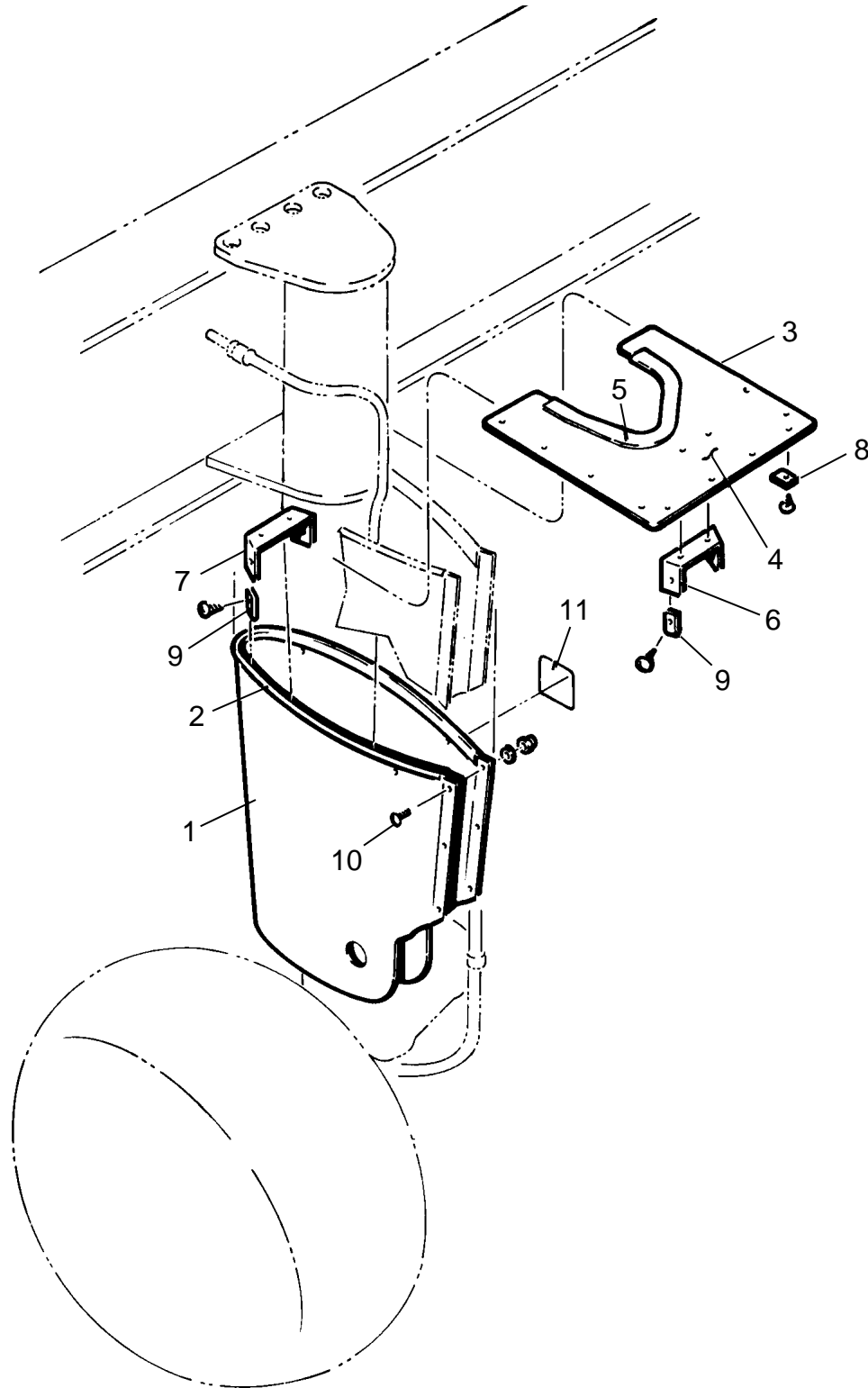


Figure 28. Main Landing Gear Strut Fairing Installation

**PIPER AIRCRAFT
PA-28-236 DAKOTA
AIRPLANE PARTS CATALOG**

CODE EXPLANATIONS FOR FIGURE 28

A - Refer to Figure 27 for main gear strut fairings when main wheel fairings are installed.

**PIPER AIRCRAFT
PA-28-236 DAKOTA
AIRPLANE PARTS CATALOG**

Figure and Index Number	Part Number	Code	Nomenclature	No. Req.	Serial Numbers Affected
28-	65693		DRAWING - Strut Fairing Installation, Main Landing Gear		
-1	63338-00		FAIRING ASSEMBLY - Main gear	2	
-2	63186-04		* MOULDING - Extruded	1	
-3	65688-00		PLATE ASSEMBLY - Fairing, left	1	
	65688-01		PLATE ASSEMBLY - Fairing, right	1	
-4	65688-02		* PLATE - Fairing, left	1	
	65688-03		* PLATE - Fairing, right	1	
-5	63186-33		* MOULDING - Extruded	1	
-6	63341-00		* CLIP - Fairing	2	
-7	63342-00		CLIP - Fairing	2	
-8	415 449		SCREW - (AN526-832R8)	10	
-9	419 920		SCREW - (8 x 1/2)	4	
	406 373		NUT - (NAS395-17-1)	4	
-10	415 171		SCREW - (AS526C-632-5)	3	
	407 562		WASHER - (AN960-6)	3	
	404 909		NUT - (MS20365-632C)	3	
-11	65369-00		PLACARD - Main gear oleo service instructions	1	

When ordering, always specify Part Number, Description, and Serial Number of Aircraft

PIPER AIRCRAFT
PA-28-236 DAKOTA
AIRPLANE PARTS CATALOG

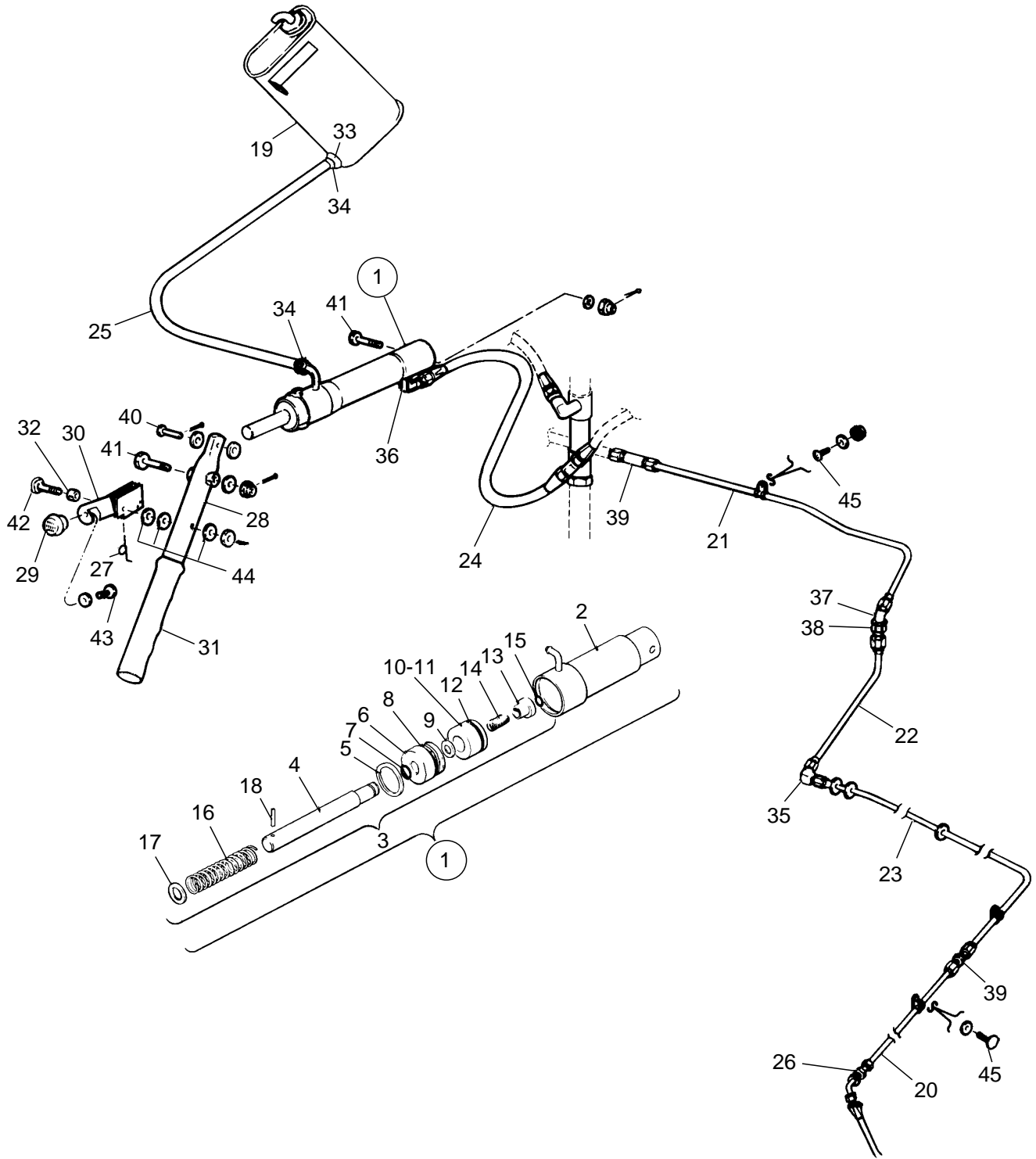


Figure 29. Hand Brake Installation

Reissued: June 1, 1990

**PIPER AIRCRAFT
PA-28-236 DAKOTA
AIRPLANE PARTS CATALOG**

CODE EXPLANATIONS FOR FIGURE 29

PIPER AIRCRAFT PA-28-236 DAKOTA AIRPLANE PARTS CATALOG

Figure and Index Number	Part Number	Code	Nomenclature	No. Req.	Serial Numbers Affected
29-	65842		DRAWING - Hand Brake Installation		
-1	455 938		CYLINDER ASSEMBLY - Master (10-22)	1	
-2	753 956		* HYDRAULIC CYLINDER ASSEMBLY - (189-9)	1	
-3	755 948		* PISTON ROD ASSEMBLY - (182-7)	1	
-4	755 949		** ROD - Piston (142-9)	1	
-5	755 950		** RING - Snap (155-10)	1	
-6	751 889		** GLAND - Packing (141-10)	1	
-7	484 701		** PACKING - O-Ring (AN6227-7)	1	
-8	484 727		** PACKING - O-Ring (AN6227-12)	1	
-9	753 172		** WASHER - Dyna-seal (110 x 3/16)	1	
-10	757 216		** PISTON ASSEMBLY - (92-19)	1	
-11	757 217		*** PISTON - (48-10)	1	
-12	484 706		*** PACKING - O-Ring (AN6227-11)	1	
-13	753 381		** BUSHING - (145-15)	1	
-14	756 117		** SPRING - (82-8)	1	
-15	752 855		** RING - Snap (155-5)	1	
-16	756 118		** SPRING - (82-9)	1	
-17	407 567		** WASHER - (AN960-616)	1	
-18	755 882		** ROLL PIN - (223-1)	1	
-19	63355-09		RESERVOIR ASSEMBLY - Brake Cylinder	1	
-20	63325-00		LINE ASSEMBLY	2	
-21	63466-00		LINE ASSEMBLY - Right	1	
-22	67700-58		LINE ASSEMBLY	2	
-23	68467-00		LINE ASSEMBLY	2	
-24	63901-30		HOSE ASSEMBLY - Flexible	1	
-25	63913-10		HOSE - Flexible	1	
-26	477 618		NUT - (AN924-4D)	2	
	458 910		ELBOW - (AN837-4D)	2	
-27	63356-00		SPRING - Brake handle	1	
-28	63357-00		HANDLE ASSEMBLY - Brake	1	
-29	63914-07		KNOB ASSEMBLY - Parking brake	1	
-30	67135-03		LATCH ASSEMBLY - Brake handle	1	
-31	463 380		GRIP - (3/4" x 4 1/2 L)	1	
-32	63900-131		BUSHING - Brake handle	1	
-33	63915-06		DISC - Firewall seal	1	
-34	554 861		CLAMP - (SAE TYF-4)	2	
-35	458 881		ELBOW - (AN821-4D)	2	
-36	458 894		ELBOW - (AN822-4D)	1	
-37	458 910		ELBOW - (AN837-4D) left	1	
	491 060		UNION - (AN832-4D) right	1	
-38	477 618		NUT - (AN924-4D)	2	
-39	491 050		UNION - (AN815-4D)	2	
-40	424 178		PIN - (AN393-19)	1	
	407 584		WASHER - (AN960-10L)	2	
	424 051		COTTERPIN - (MS24665-132)	1	
-41	400 113		BOLT - (AN4-20)	2	
	407 565		WASHER - (AN960-416)	6	
	404 101		NUT - (AN310-4)	2	
	424 051		COTTERPIN - (MS24665-132)	2	
-42	400 876		BOLT - (AN23-24A)	1	
	404 887		NUT - (MS20365-1032C)	1	
-43	416 994		SCREW - (AN526-1032R6)	1	
	407 124		WASHER - (AN935-10L)	1	
-44	407 564		WASHER - (AN960-10)	3	
-45	417 775		SCREW - (AN520-10R8)	5	
	407 584		WASHER - (AN960-10L)	5	

When ordering, always specify Part Number, Description, and Serial Number of Aircraft

PIPER AIRCRAFT
PA-28-236 DAKOTA
AIRPLANE PARTS CATALOG

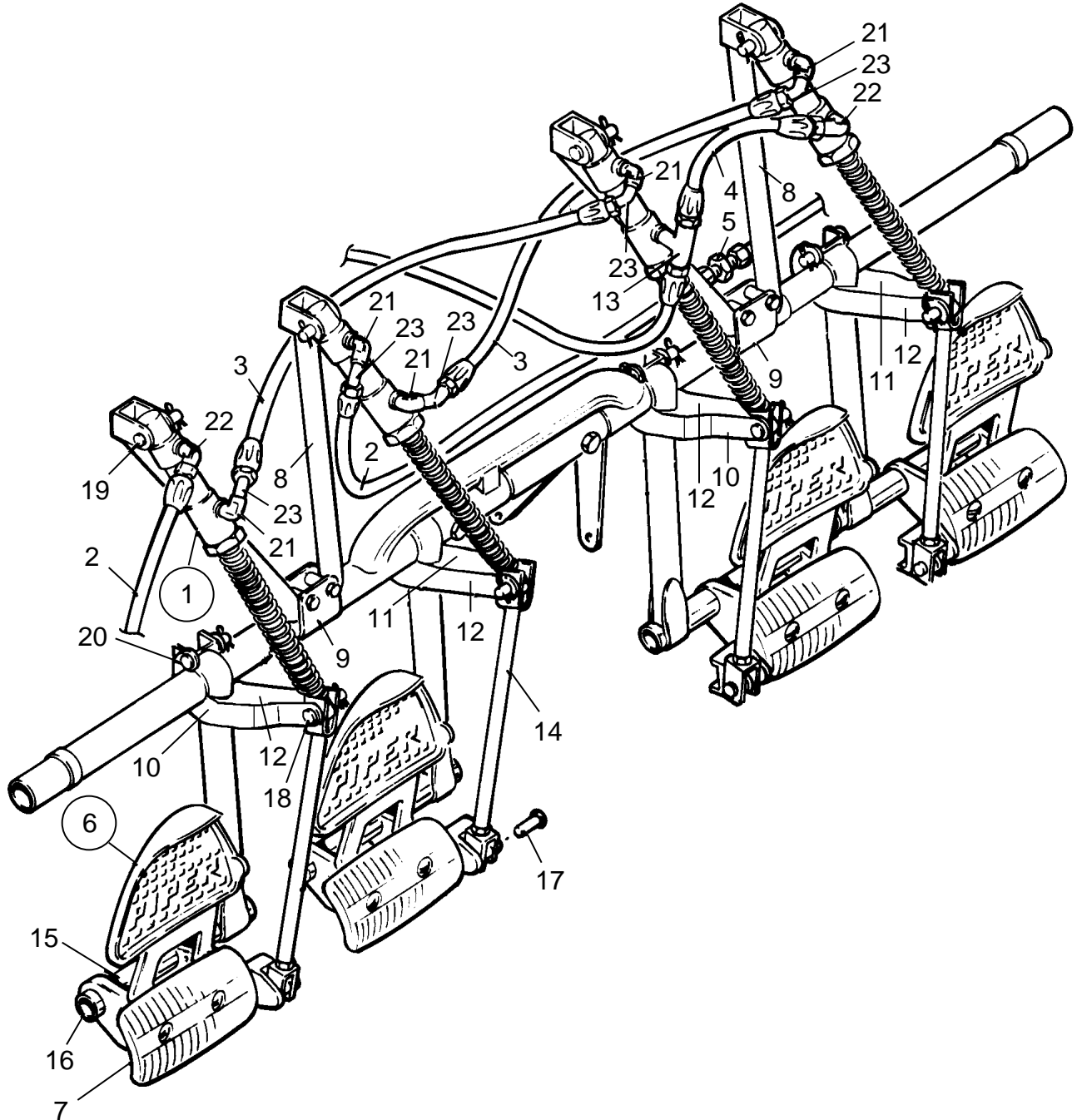


Figure 30. Toe Brake Installation

**PIPER AIRCRAFT
PA-28-236 DAKOTA
AIRPLANE PARTS CATALOG**

CODE EXPLANATIONS FOR FIGURE 30

A - See Figure 31 for component parts.

PIPER AIRCRAFT PA-28-236 DAKOTA AIRPLANE PARTS CATALOG

Figure and Index Number	Part Number	Code	Nomenclature	No. Req.	Serial Numbers Affected
30-	35135 63476		DRAWING - Control System Installation DRAWING - Dual Toe Brake Line Installation		
-1	455 968	A	CYLINDER ASSEMBLY - Master (10-30) Cleveland	4	
	455 944	A	CYLINDER ASSEMBLY - Master (17000) Gar-Kenyon	4	
-2	63901-09		HOSE ASSEMBLY - Flexible	2	
-3	63901-21		HOSE ASSEMBLY - Flexible	2	
-4	63901-22		HOSE ASSEMBLY - Flexible	1	
-5	491 050		UNION - (AN815-4D)	1	
-6	63485-00		PEDAL ASSEMBLY - Toe brake, left inboard	1	
	63485-02		PEDAL ASSEMBLY - Toe brake, left, outboard	1	
	63485-01		PEDAL ASSEMBLY - Toe brake, right inboard	1	
	63485-03		PEDAL ASSEMBLY - Toe brake, right outboard	1	
-7	62867-02		* PAD ASSEMBLY - Brake pedal	1	
-8	63464-00		BRACE ASSEMBLY - Toe brake	2	
-9	63468-00		BRACKET - Toe brake	2	
-10	63469-00		ARM - Toe brake	2	
-11	63469-01		ARM - Toe brake	2	
-12	63470-00		ARM - Toe brake	4	
-13	488 499		TEE - (MS20825-4D)	1	
-14	79430-00		CLEVIS ASSEMBLY - Toe brake	4	
-15	63478-00		SPACER - Toe pedal	4	
-16	453 714		BEARING - Brake pedal (PS10065-37)	8	
-17	424 175		PIN - Flat head (MS20392-2C13)	4	
	407 584		WASHER - (AN960-10L)	4	
	424 051		COTTERPIN - (MS24665-132)	4	
-18	424 181		PIN - Flathead (MS20392-2C25)	4	
	407 564		WASHER - (AN960-10)	4	
	424 051		COTTERPIN - (MS24665-132)	4	
-19	424 184		PIN - Flathead (MS20392-2C31)	4	
	407 564		WASHER - (AN960-10)	4	
	424 051		COTTERPIN - (MS24665-132)	4	
-20	424 189		PIN - Flathead (MS20392-2C39)	4	
	407 584		WASHER - (AN960-10L)	4	
	424 051		COTTERPIN - (MS24665-132)	4	
-21	458 904		ELBOW - (AN914-1D)	5	
-22	458 894		ELBOW - (MS20822-4D)	2	
-23	458 891		ELBOW - (MS20823-4D)	5	

When ordering, always specify Part Number, Description, and Serial Number of Aircraft

PIPER AIRCRAFT
PA-28-236 DAKOTA
AIRPLANE PARTS CATALOG

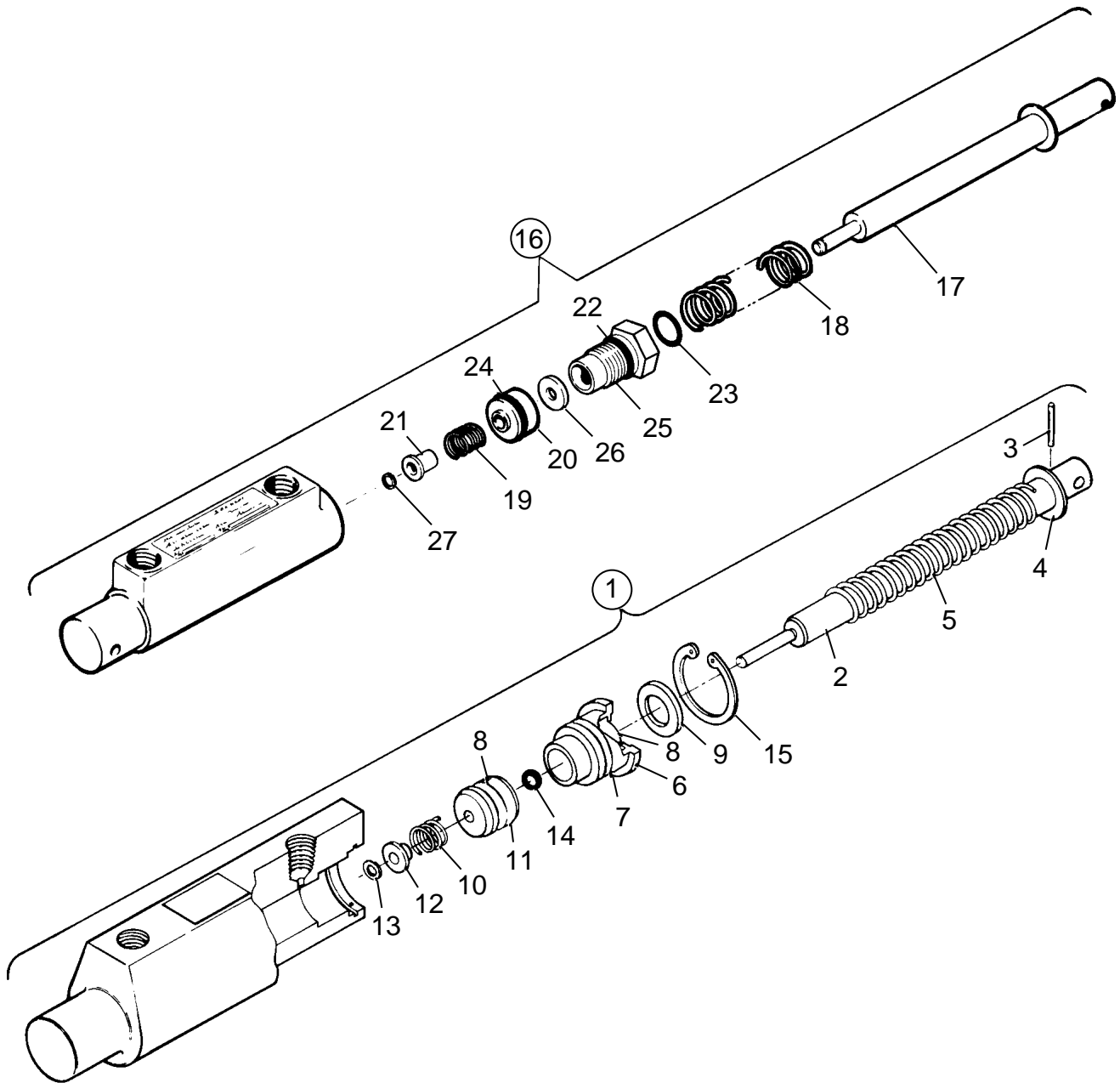


Figure 31. Toe Brake Master Cylinder Assembly

Reissued: June 1, 1990

**PIPER AIRCRAFT
PA-28-236 DAKOTA
AIRPLANE PARTS CATALOG**

CODE EXPLANATIONS FOR FIGURE 31

**PIPER AIRCRAFT
PA-28-236 DAKOTA
AIRPLANE PARTS CATALOG**

Figure and Index Number	Part Number	Code	Nomenclature	No. Req.	Serial Numbers Affected
31-1	455 968		CYLINDER ASSEMBLY - Master (10-30) Cleveland	4	
-2	763 451		* PISTON ROD ASSEMBLY - (182-22)	1	
-3	757 318		** ROLL PIN - (223-00500)	1	
-4	756 622		** WASHER - (095-10100)	1	
-5	756 118		** SPRING - (82-9)	1	
-6	755 082		** GLAND - Packing (141-25)	1	
-7	756 018		** O-RING - (101-01100)	1	
-8	756 016		** O-RING - (101-00800)	2	
-9	756 621		** WASHER - Wiper (095-01300)	1	
-10	757 580		** SPRING - (082-02100)	1	
-11	763 450		** PISTON - (148-25)	1	
-12	758 457		** BUSHING - (145-58)	1	
-13	762 586		** RING - Snap (T5304-15)	1	
-14	762 585		** O-RING - (101-1)	1	
-15	762 587		* RING - Snap (155-47)	1	
-16	455 944		CYLINDER ASSEMBLY - Master (17000) Gar-Kenyon	4	
-17	757 480		* PISTON ROD AND RING ASSEMBLY - (95404) includes spring retaining ring	1	
-18	762 276		* SPRING - (17005)	1	
-19	762 277		* SPRING - (17006)	1	
-20	757 479		* PISTON - (17003)	1	
-21	762 275		* SLEEVE - (17007)	1	
-22	752 584		* O-RING - (MS28775-113)	1	
-23	484 788		* O-RING - (MS28775-012)	1	
-24	752 585		* O-RING - (MS28775-110)	1	
-25	754 848		* FITTING - (17002)	1	
-26	494 177		* SEAL - (110 3/16)	1	
-27	762 531		* RING - Retaining (XRC-313)	1	

When ordering, always specify Part Number, Description, and Serial Number of Aircraft

**PIPER AIRCRAFT
PA-28-236 DAKOTA
AIRPLANE PARTS CATALOG**

**GRIDS 1E23 and 1E24
INTENTIONALLY LEFT BLANK**

PIPER AIRCRAFT
PA-28-236 DAKOTA
AIRPLANE PARTS CATALOG

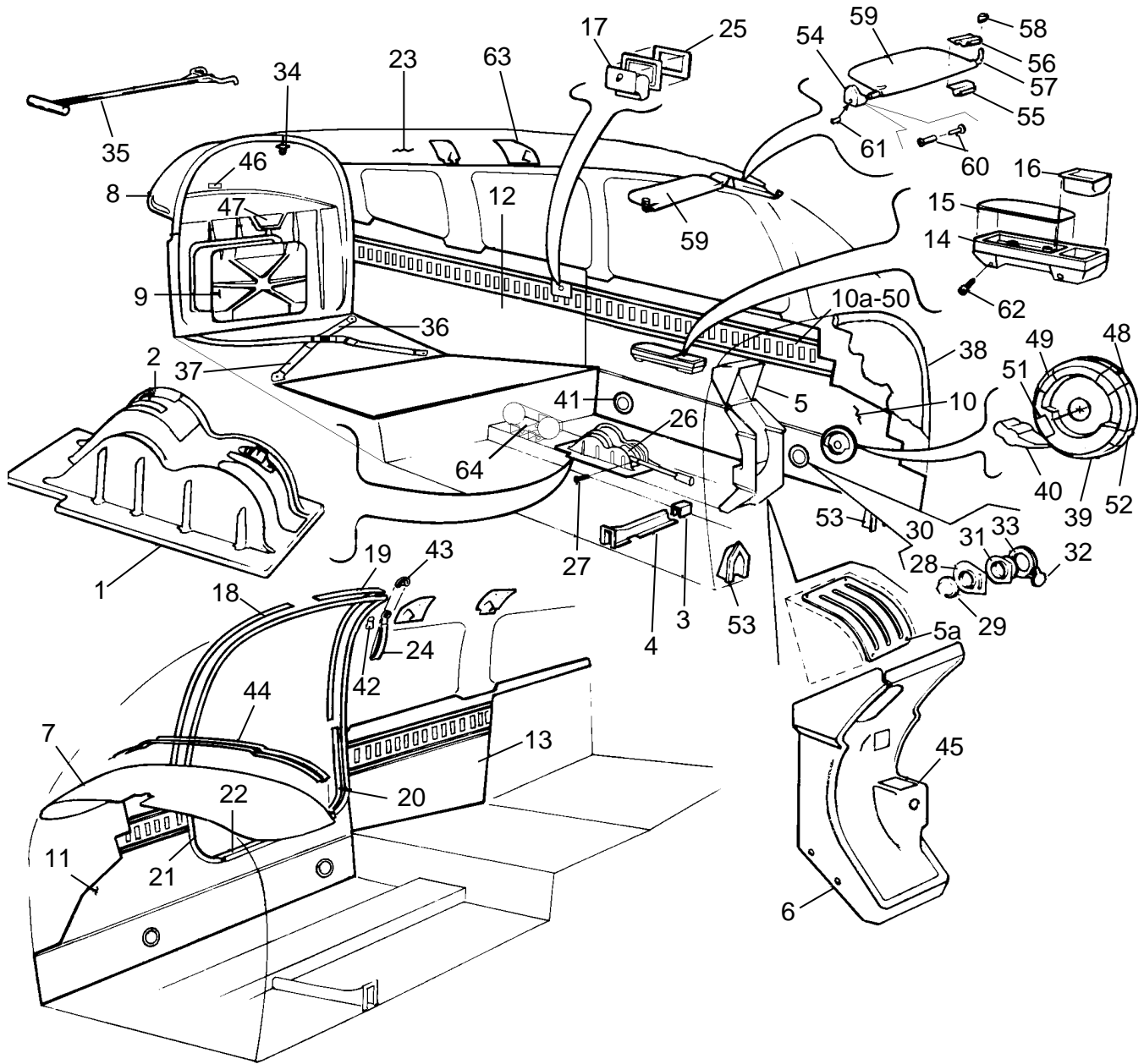


Figure 32. Cockpit Finishing Installation

Reissued: June 1, 1990

**PIPER AIRCRAFT
PA-28-236 DAKOTA
AIRPLANE PARTS CATALOG**

CODE EXPLANATIONS FOR FIGURE 32

- A - When ordering, specify color black or ``bark II.”
- B - Used if air conditioning is not installed.
- C - Used if air conditioning is installed.
- D - Used if fixed shoulder harnesses are installed.
- E - Used if shoulder belts with inertia reel are installed.

PIPER AIRCRAFT PA-28-236 DAKOTA AIRPLANE PARTS CATALOG

Figure and Index Number	Part Number	Code	Nomenclature	No. Req.	Serial Numbers Affected
32-	79768 99902 66991		DRAWING - Cockpit Finishing Installation DRAWING - Panel Installation DRAWING - Sun Visor Installation		
-1	67785-17	A	COVER ASSEMBLY - Flap handle	1	
-2	67786-00		* PLACARD - Stabilator trim	1	
-3	63144-00		COVER - Fuselage frame, inboard	2	
-4	65674-15	A	COVER ASSEMBLY - Fuselage frame, outboard	2	
-5	67232-41	A	COVER ASSEMBLY - Engine controls	1	
-5a	69669-45		* PLACARD - Throttle control	1	
-6	67330-10	A	COVER - Console	1	
-7	67325-00		COVER - Cowl	1	
-8	79836-02	B	BULKHEAD ASSEMBLY - Rear cabin	1	28-7911001 thru 28-7911306
	36589-02	C	BULKHEAD ASSEMBLY - Rear cabin	1	28-7911001 thru 28-7911306
	79836-02		BULKHEAD ASSEMBLY - Rear cabin	1	28-7911307 and up
-9	79445-00		DOOR ASSEMBLY - Access	1	
-10	579 419		PANEL ASSEMBLY - Left front cockpit, white/camel/ black (with heather carpet)	1	28-7911001 thru 28-8211060
	579 579		PANEL ASSEMBLY - Left front cockpit, olivetone (with palm carpet)	1	28-7911001 thru 28-7911395
	579 580		PANEL ASSEMBLY - Left front cockpit, midnight blue (with royal blue carpet)	1	28-7911001 thru 28-7911198
	579 358		PANEL ASSEMBLY - Left front cockpit, dark blue (with royal blue carpet)	1	28-7911199 thru 28-8011161
	579 294		PANEL ASSEMBLY - Left front cockpit, dark blue (with heather carpet)	1	28-8111001 thru 28-8211060
	579 202		PANEL ASSEMBLY - Left front cockpit, dark blue (with dark blue carpet)	1	28-8111001 and up
	680 124		PANEL ASSEMBLY - Left front cockpit, light blue (velour) (with light blue carpet)	1	28-8311001 and up
	680 092		PANEL ASSEMBLY - Left front cockpit, blue (vinyl) (with light blue carpet)	1	28-8311001 and up
	579 581		PANEL ASSEMBLY - Left front cockpit, raspberry/black (with raspberry carpet)	1	28-7911001 thru 28-7911395
	579 582		PANEL ASSEMBLY - Left front cockpit, tan/seal (with brown carpet)	1	28-7911001 thru 28-7911395
	579 350		PANEL ASSEMBLY - Left front cockpit, firethorn red (with raspberry carpet)	1	28-8011001 thru 28-8011161
	579 376		PANEL ASSEMBLY - Left front cockpit, firethorn red (with firethorn red carpet)	1	28-8011001 and up
	579 293		PANEL ASSEMBLY - Left front cockpit, firethorn red (with heather carpet)	1	28-8111001 thru 28-8211060
	680 091		PANEL ASSEMBLY - Left front cockpit, red (vinyl) (with dark carmine carpet)	1	28-8311001 and up
	579 351		PANEL ASSEMBLY - Left front cockpit, buckskin (with brown carpet)	1	28-8011001 thru 28-8011161
	579 377		PANEL ASSEMBLY - Left front cockpit, buckskin (with medium saddle carpet)	1	28-8011001 thru 28-8211060
	680 093		PANEL ASSEMBLY - Left front cockpit, light buckskin (with dark saddle carpet)	1	28-8311001 and up
	579 292		PANEL ASSEMBLY - Left front cockpit, dark cedar (with dark cedar carpet) (knit)	1	28-8111001 and up
	579 100		PANEL ASSEMBLY - Left front cockpit, dark cedar (with dark cedar carpet) (velour)	1	28-8211001 and up

When ordering, always specify Part Number, Description, and Serial Number of Aircraft

Reissued: June 1, 1990

PIPER AIRCRAFT PA-28-236 DAKOTA AIRPLANE PARTS CATALOG

Figure and Index Number	Part Number	Code	Nomenclature	No. Req.	Serial Numbers Affected
32-10	579 098		PANEL ASSEMBLY - Left front cockpit, dark carmine (with dark carmine carpet)	1	28-8211001 and up
	579 099		PANEL ASSEMBLY - Left front cockpit, sandalwood (with dark saddle carpet)	1	28-8211001 and up
	680 090		PANEL ASSEMBLY - Left front cockpit, dark saddle (with dark saddle carpet)	1	28-8311001 and up
-10a	79884-02		* PLATE - Placard attachment, left	1	28-7911001 thru 28-7911395
-11	579 412		PANEL ASSEMBLY - Right front cockpit, white/camel/black (with heather carpet)	1	28-7911001 thru 28-8211060
	579 567		PANEL ASSEMBLY - Right front cockpit, olivetone (with palm carpet)	1	28-7911001 thru 28-7911395
	579 568		PANEL ASSEMBLY - Right front cockpit, midnight blue (with royal blue carpet)	1	28-7911001 thru 28-7911198
	579 354		PANEL ASSEMBLY - Right front cockpit, dark blue (with royal blue carpet)	1	28-7911199 thru 28-8011161
	579 201		PANEL ASSEMBLY - Right front cockpit, dark blue (with dark blue carpet)	1	28-8111001 and up
	579 271		PANEL ASSEMBLY - Right front cockpit, dark blue (with heather carpet)	1	28-8111001 thru 28-8211060
	680 119		PANEL ASSEMBLY - Right front cockpit, light blue (velour) (with light blue carpet)	1	28-8311001 and up
	680 060		PANEL ASSEMBLY - Right front cockpit, blue (vinyl) (with light blue carpet)	1	28-8311001 and up
	579 569		PANEL ASSEMBLY - Right front cockpit, raspberry/black (with raspberry carpet)	1	28-7911001 thru 28-7911395
	579 570		PANEL ASSEMBLY - Right front cockpit, tan/seal (with brown carpet)	1	28-7911001 thru 28-7911395
	579 342		PANEL ASSEMBLY - Right front cockpit, firethorn red (with raspberry carpet)	1	28-8011001 thru 28-8011161
	579 370		PANEL ASSEMBLY - Right front cockpit, firethorn red (with firethorn red carpet)	1	28-8011001 and up
	579 270		PANEL ASSEMBLY - Right front cockpit, firethorn red (with heather carpet)	1	28-8111001 thru 28-8211060
	680 059		PANEL ASSEMBLY - Right front cockpit, red (vinyl) (with dark carmine carpet)	1	28-8311001 and up
	579 343		PANEL ASSEMBLY - Right front cockpit, buckskin (with brown carpet)	1	28-8011001 thru 28-8011161
	579 371		PANEL ASSEMBLY - Right front cockpit, buckskin (with medium saddle carpet)	1	28-8011001 thru 28-8211060
	680 061		PANEL ASSEMBLY - Right front cockpit, light buckskin (with dark saddle carpet)	1	28-8311001 and up
	579 269		PANEL ASSEMBLY - Right front cockpit, dark cedar (with dark cedar carpet) (knit)	1	28-8111001 and up
	579 088		PANEL ASSEMBLY - Right front cockpit, dark cedar (with dark cedar carpet) (velour)	1	28-8211001 and up
	579 086		PANEL ASSEMBLY - Right front cockpit, dark carmine (with dark carmine carpet)	1	28-8211001 and up
	579 087		PANEL ASSEMBLY - Right front cockpit, sandalwood (with dark saddle carpet)	1	28-8211001 and up
	680 058		PANEL ASSEMBLY - Right front cockpit, dark saddle (with dark saddle carpet)	1	28-8311001 and up
-12	579 411		PANEL ASSEMBLY - Left rear cockpit, white/camel/black	1	28-7911001 thru 28-8211060
	579 563		PANEL ASSEMBLY - Left rear cockpit, olivetone	1	28-7911001 thru 28-7911395
	579 564		PANEL ASSEMBLY - Left rear cockpit, midnight blue	1	28-7911001 thru 28-7911198
	579 317		PANEL ASSEMBLY - Left rear cockpit, dark blue (fabric)	1	28-7911199 and up
	579 268		PANEL ASSEMBLY - Left rear cockpit, dark blue (vinyl)	1	28-8111001 thru 28-8211060

When ordering, always specify Part Number, Description, and Serial Number of Aircraft

PIPER AIRCRAFT PA-28-236 DAKOTA AIRPLANE PARTS CATALOG

Figure and Index Number	Part Number	Code	Nomenclature	No. Req.	Serial Numbers Affected
32-12	680 118		PANEL ASSEMBLY - Left rear cockpit, light blue (fabric)	1	28-8311001 and up
	680 056		PANEL ASSEMBLY - Left rear cockpit, blue (vinyl)	1	28-8311001 and up
	579 565		PANEL ASSEMBLY - Left rear cockpit, raspberry/black	1	28-7911001 thru 28-7911395
	579 566		PANEL ASSEMBLY - Left rear cockpit, tan/seal	1	28-7911001 thru 28-7911395
	579 340		PANEL ASSEMBLY - Left rear cockpit, firethorn red (fabric)	1	28-8011001 and up
	579 267		PANEL ASSEMBLY - Left rear cockpit, firethorn red (vinyl)	1	28-8111001 thru 28-8211060
	680 055		PANEL ASSEMBLY - Left rear cockpit, red (vinyl)	1	28-8311001 and up
	579 341		PANEL ASSEMBLY - Left rear cockpit, buckskin (velour)	1	28-8011001 thru 28-8211060
	680 057		PANEL ASSEMBLY - Left rear cockpit, light buckskin (vinyl)	1	28-8311001 and up
	579 266		PANEL ASSEMBLY - Left rear cockpit, dark cedar (knit)	1	28-8111001 and up
	579 085		PANEL ASSEMBLY - Left rear cockpit, dark cedar (velour)	1	28-8211001 and up
	579 083		PANEL ASSEMBLY - Left rear cockpit, dark carmine	1	28-8211001 and up
	579 084		PANEL ASSEMBLY - Left rear cockpit, sandalwood	1	28-8211001 and up
	680 054		PANEL ASSEMBLY - Left rear cockpit, dark saddle	1	28-8311001 and up
-13	579 413		PANEL ASSEMBLY - Right rear cockpit, white/camel/black	1	28-7911001 thru 28-8211060
	579 571		PANEL ASSEMBLY - Right rear cockpit, olivetone	1	28-7911001 thru 28-7911395
	579 572		PANEL ASSEMBLY - Right rear cockpit, midnight blue	1	28-7911001 thru 28-7911198
	579 356		PANEL ASSEMBLY - Right rear cockpit, dark blue (fabric)	1	28-7911199 and up
	579 286		PANEL ASSEMBLY - Right rear cockpit, dark blue (vinyl)	1	28-8111001 thru 28-8211060
	680 122		PANEL ASSEMBLY - Right rear cockpit, light blue (velour)	1	28-8311001 and up
	680 078		PANEL ASSEMBLY - Right rear cockpit, blue (vinyl)	1	28-8311001 and up
	579 573		PANEL ASSEMBLY - Right rear cockpit, raspberry/black	1	28-7911001 thru 28-7911395
	579 574		PANEL ASSEMBLY - Right rear cockpit, tan/seal	1	28-7911001 thru 28-7911395
	579 346		PANEL ASSEMBLY - Right rear cockpit, firethorn red	1	28-8011001 thru 28-8011161
	579 285		PANEL ASSEMBLY - Right rear cockpit, firethorn red (vinyl)	1	28-8111001 thru 28-8211060
	579 282		PANEL ASSEMBLY - Right rear cockpit, firethorn red (fabric)	1	28-8111001 and up
	680 077		PANEL ASSEMBLY - Right rear cockpit, red (vinyl)	1	28-8311001 and up
	579 347		PANEL ASSEMBLY - Right rear cockpit, buckskin	1	28-8011001 thru 28-8011161
	579 283		PANEL ASSEMBLY - Right rear cockpit, buckskin	1	28-8111001 thru 28-8211060
	680 079		PANEL ASSEMBLY - Right rear cockpit, light buckskin	1	28-8311001 and up
	579 284		PANEL ASSEMBLY - Right rear cockpit, dark cedar (knit)	1	28-8111001 and up
	579 121		PANEL ASSEMBLY - Right rear cockpit, dark cedar (velour)	1	28-8211001 and up
	579 119		PANEL ASSEMBLY - Right rear cockpit, dark carmine	1	28-8211001 and up
	579 120		PANEL ASSEMBLY - Right rear cockpit, sandalwood	1	28-8211001 and up
	680 076		PANEL ASSEMBLY - Right rear cockpit, dark saddle	1	28-8311001 and up
-14	66710-16		HOUSING ASSEMBLY - Armrest, left side	1	
-15	580 731		PAD ASSEMBLY - Armrest, camel	1	28-7911001 thru 28-8211060
	579 507		PAD ASSEMBLY - Armrest, olivetone	1	28-7911001 thru 28-7911395
	579 508		PAD ASSEMBLY - Armrest, midnight blue	1	28-7911001 thru 28-7911198
	579 474		PAD ASSEMBLY - Armrest, dark blue (velour)	1	28-7911199 and up
	579 228		PAD ASSEMBLY - Armrest, dark blue (vinyl)	1	28-8111001 thru 28-8211060
	559 758		PAD ASSEMBLY - Armrest, dark blue (leather)	1	28-8311001 and up
	680 002		PAD ASSEMBLY - Armrest, blue (vinyl)	1	28-8311001 and up
	579 509		PAD ASSEMBLY - Armrest, black	1	28-7911001 thru 28-7911395
	579 510		PAD ASSEMBLY - Armrest, tan	1	28-7911001 thru 28-7911395
	579 227		PAD ASSEMBLY - Armrest, firethorn red (vinyl)	1	28-8111001 thru 28-8211060
	579 472		PAD ASSEMBLY - Armrest, firethorn red (velour)	1	28-8011001 and up
	559 793		PAD ASSEMBLY - Armrest, firethorn red (leather)	1	28-8311001 and up
	680 001		PAD ASSEMBLY - Armrest, red (vinyl)	1	28-8311001 and up
	579 473		PAD ASSEMBLY - Armrest, buckskin (velour)	1	28-8011001 thru 28-8211060
	680 003		PAD ASSEMBLY - Armrest, light buckskin (vinyl)	1	28-8311001 and up
	559 805		PAD ASSEMBLY - Armrest, light buckskin (leather)	1	28-8311001 and up
	579 226		PAD ASSEMBLY - Armrest, dark cedar (knit)	1	28-8111001 and up
	559 782		PAD ASSEMBLY - Armrest, dark cedar (leather)	1	28-8311001 and up

When ordering, always specify Part Number, Description, and Serial Number of Aircraft

Reissued: June 1, 1990

**PIPER AIRCRAFT
PA-28-236 DAKOTA
AIRPLANE PARTS CATALOG**

Figure and Index Number	Part Number	Code	Nomenclature	No. Req.	Serial Numbers Affected
32-15	579 115		PAD ASSEMBLY - Armrest, dark cedar (velour)	1	28-8211001 thru 28-8211060
	579 113		PAD ASSEMBLY - Armrest, dark carmine (velour)	1	28-8211001 thru 28-8211060
	579 114		PAD ASSEMBLY - Armrest, sandalwood (fabric)	1	28-8211001 and up
	680 131		PAD ASSEMBLY - Armrest, patrician sandalwood (fabric)	1	28-8311001 and up
	680 000		PAD ASSEMBLY - Armrest, dark saddle (knit)	1	28-8311001 and up
	559 770		PAD ASSEMBLY - Armrest, dark saddle (leather)	1	28-8311001 and up
-16	751 345		BOX ASSEMBLY - Ash tray	1	
-17	489 388		ASH RECEIVER - (Complete) Chrome (2A20580)	2	
-18	63142-51		TRIM STRIP - Door frame, top front	1	
-19	63142-55		TRIM STRIP - Door frame, top rear	1	
-20	63142-56		TRIM STRIP - Door frame, bottom rear	1	
-21	69403-03		WINDLACING - Door seal	1	
-22	76191-02		SILL - Door	1	
-23	76462-00		HEADLINER - Cockpit	1	
-24	79455-00		STRAP - Assist	1	
-25	65269-02		DOUBLER - Ash tray	2	
-26	65672-05		SHIELD - Flap handle cover	1	
-27	15086-00		SCREW - Self tapping (4 x 1/4) (486 187)	2	
-28	65735-19	A	FLANGE - Air vent	4	
-29	65735-18	A	CUP - Air vent	4	
-30	68416-02		VENT ASSEMBLY - Air, forward, left	1	
	68416-03		VENT ASSEMBLY - Air, forward, right	1	
-30a	63882-94		* SLEEVE	2	
-31	68671-00		* VALVE ASSEMBLY - Air vent	1	
-32	68499-04		* SHAFT ASSEMBLY - Air vent valve, left	1	
	68499-05		* SHAFT ASSEMBLY - Air vent valve, right	1	
-33	68584-00		GASKET - Air vent	4	
-34	487 629		STUD ASSEMBLY - Coat hanger (KM894-1A)	2	
-35	99458-00		TOW BAR ASSEMBLY	1	
-36	66804-00		STRAP ASSEMBLY - Baggage tie down (tip end)	2	
-37	66805-00		STRAP ASSEMBLY - Baggage tie down (buckle end)	2	
-38	99818-00		BLANKET ASSEMBLY - Firewall	1	
-39	99635-09	A	COVER - Fuel selector	1	
-40	99181-03		HANDLE ASSEMBLY - Fuel selector	1	
-41	68556-00		VENT ASSEMBLY - Air, rear, left	1	79-11001 and up
	68556-01		VENT ASSEMBLY - Air, rear, right	1	
-41a	63882-94		* SLEEVE	2	
-42	76221-00	D	CLIP - Shoulder harness retaining	4	28-8111001 thru 28-8211060
	76221-00	E	CLIP - Shoulder harness retaining	1	
-43	79456-00		CAP - Assist strap	1	
-44	99967-00		RETAINER - Glare shield, left	1	
	99968-00		RETAINER - Glare shield, right	1	
-45	65219-00		PLACARD - Rudder trim	1	
-46	66787-00		PLACARD - ``Soft wear only``	1	
-47	68399-02		PLACARD - Baggage limitations	1	
-48	69669-169		PLACARD - ``R`` tank, 36 gallons	1	
-49	69669-170		PLACARD - ``L`` tank, 36 gallons	1	
-50	66987-00		PLACARD - Aircraft limitations	1	28-7911001 thru 28-7911395
	35669-139		PLACARD - Aircraft limitations	1	28-8011001 and up
-51	99184-02		PLACARD - Fuel off	1	
-52	99184-05		PLACARD - Fuel	1	
-53	78735-02		COVER - Rudder pedal stop bracket	2	
-54	65865-00		RETAINER - Sun visor	2	
-55	65870-00		CLIP - Sun visor, upper left, lower right	2	
-56	65871-00		CLIP - Sun visor, upper right, lower left	2	
-57	65867-00		ROD - Sun visor	2	
-58	65869-00		BEARING - Sun visor	4	

When ordering, always specify Part Number, Description, and Serial Number of Aircraft

**PIPER AIRCRAFT
PA-28-236 DAKOTA
AIRPLANE PARTS CATALOG**

Figure and Index Number	Part Number	Code	Nomenclature	No. Req.	Serial Numbers Affected
32-59	35947-02		BLADE ASSEMBLY - Sun visor (pilot)	1	
	65866-00		BLADE ASSEMBLY - Sun visor (co-pilot)	1	
-60	36588-04		SCREW AND POST ASSEMBLY - Retainer	1	
-61	484 691		RIVET - Plastic (201 120751-00-0103)	2	
-62	419 594		SCREW - (AN530-10R36)	2	
-63	78054-02		COVER ASSEMBLY - Shoulder harness, left	1	
	99801-02		COVER ASSEMBLY - Shoulder harness, right	1	
-64	459 885		FIRE EXTINGUISHER - Amerex 344	1	2811032 and up
	411 531		SCREW - (MS35207-262)	4	2811032 and up
	407 584		WASHER - (AN960-10L)	4	2811032 and up
	404 887		NUT - (MS20365-1032C)	4	2811032 and up

When ordering, always specify Part Number, Description, and Serial Number of Aircraft

PIPER AIRCRAFT
PA-28-236 DAKOTA
AIRPLANE PARTS CATALOG

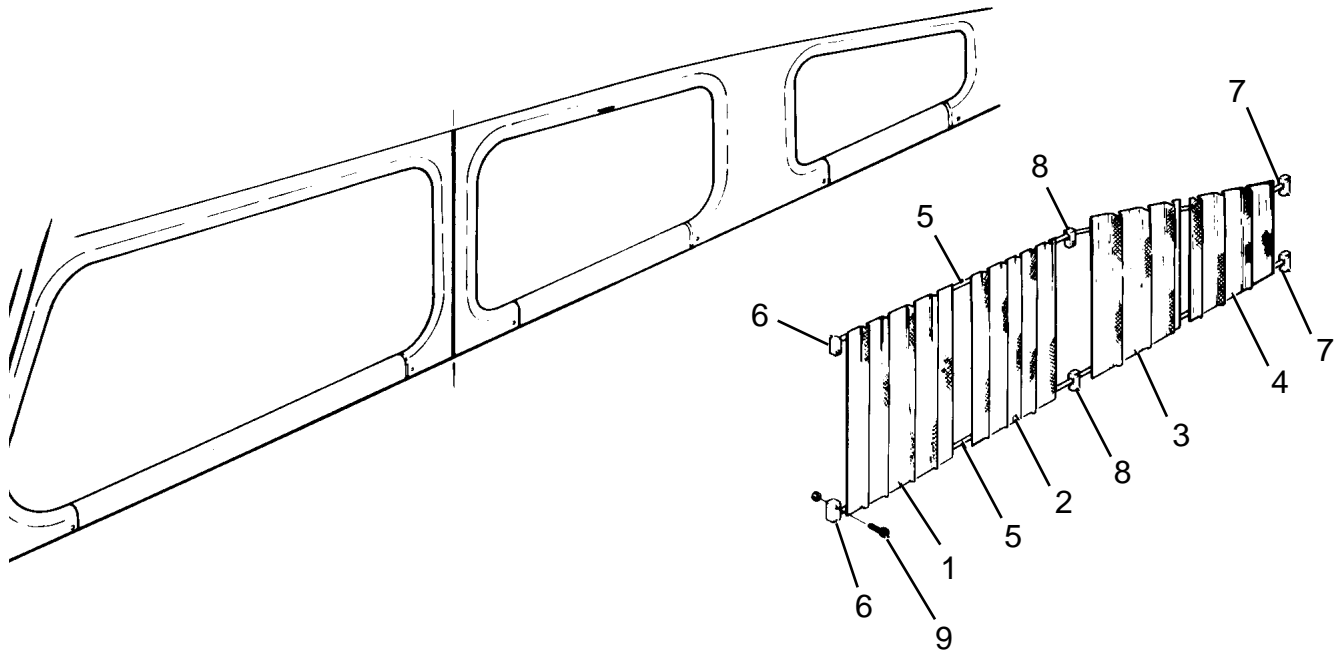


Figure 33. Window Curtains Installation

Reissued: June 1, 1990

**PIPER AIRCRAFT
PA-28-236 DAKOTA
AIRPLANE PARTS CATALOG**

CODE EXPLANATIONS FOR FIGURE 33

PIPER AIRCRAFT PA-28-236 DAKOTA AIRPLANE PARTS CATALOG

Figure and Index Number	Part Number	Code	Nomenclature	No. Req.	Serial Numbers Affected
33-	67955		DRAWING - Curtain and Rod Installation		
-1	67968-12		CURTAIN ASSEMBLY - Window, center front, left	1	
	67968-13		CURTAIN ASSEMBLY - Window, center front, right	1	
-2	67968-14		CURTAIN ASSEMBLY - Window, center rear, left	1	
	67968-15		CURTAIN ASSEMBLY - Window, center rear, right	1	
-3	67968-16		CURTAIN ASSEMBLY - Window, rear, left	1	
	67968-17		CURTAIN ASSEMBLY - Window, rear, right	1	
-4	67968-18		CURTAIN ASSEMBLY - Window, rear, left	1	
	67968-19		CURTAIN ASSEMBLY - Window, rear, right	1	
-5	67969-15		ROD - Window curtain	4	
-6	67969-02		BRACKET - Window rod attachment, front	4	
-7	67969-03		BRACKET - Window rod attachment, rear	4	
-8	67969-04		BRACKET - Window rod attachment, center	4	
-9	415 539		SCREW - (MS35206-249)	12	
	477 778		NUT - (PS10062-6-2)	12	

When ordering, always specify Part Number, Description, and Serial Number of Aircraft

PIPER AIRCRAFT
PA-28-236 DAKOTA
AIRPLANE PARTS CATALOG

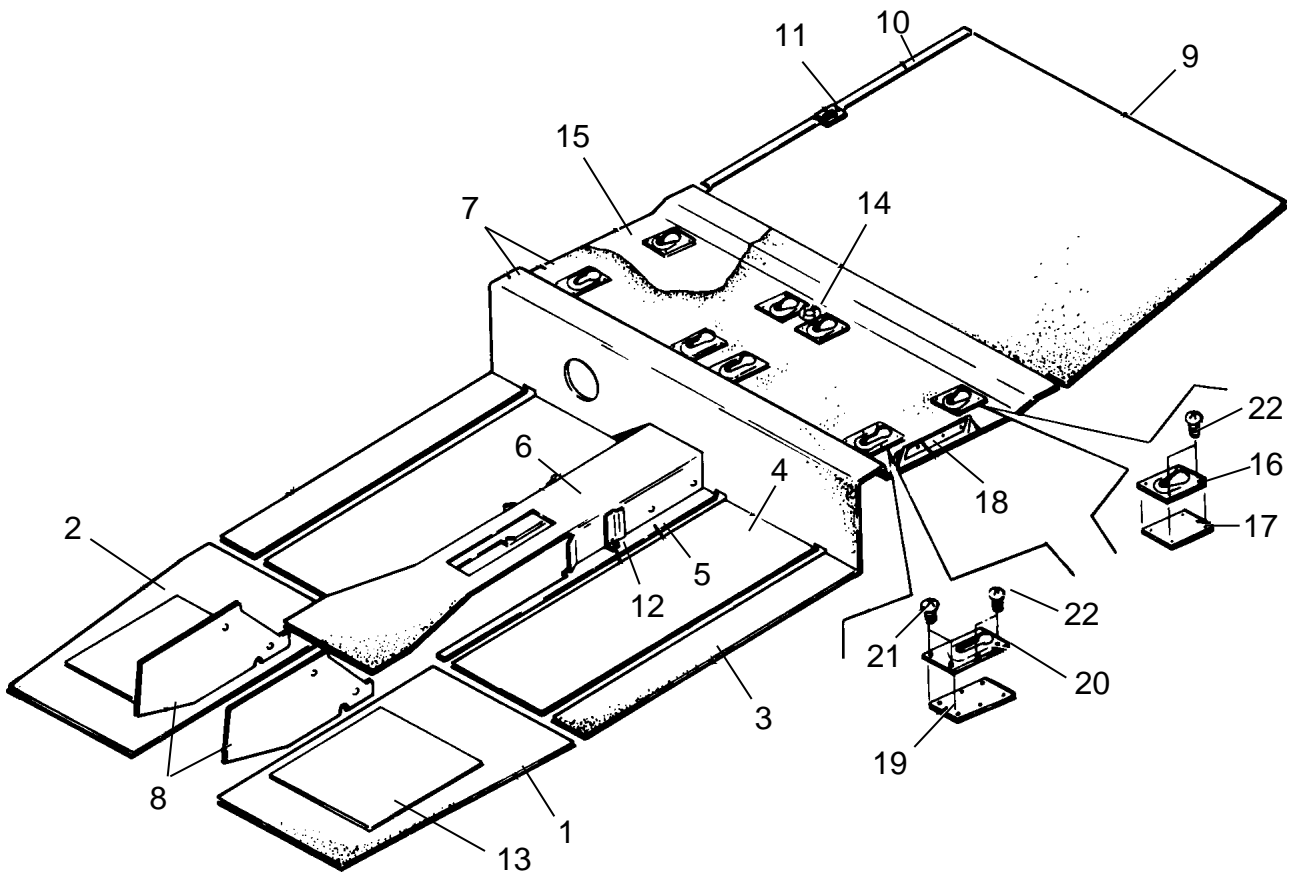


Figure 34. Carpet Installation

Reissued: June 1, 1990

**PIPER AIRCRAFT
PA-28-236 DAKOTA
AIRPLANE PARTS CATALOG**

CODE EXPLANATIONS FOR FIGURE 34

- A - Used if sound reduction carpeting is installed.
- B - When ordering specify color heather, palm, raspberry, brown, firethorn red, medium saddle, dark cedar, dark carmine, dark saddle, or light blue. Specify color royal blue (color code 781) for serial numbers 28-7911001 thru 28-8011161, or dark blue (color code 795) for serial numbers 28-8111001 and up.
- C - When ordering specify color "bark II" or black.

PIPER AIRCRAFT PA-28-236 DAKOTA AIRPLANE PARTS CATALOG

Figure and Index Number	Part Number	Code	Nomenclature	No. Req.	Serial Numbers Affected
34-	79768 66801		DRAWING - Cockpit Finishing Installation DRAWING - Carpet Installation - Baggage Compartment		
-1	591 545 591 700 591 701 591 827 592 098 591 702 591 703 591 903 591 904 591 964 592 038 592 039 79236-10 76161-16 76161-14	A,B	CARPET - Floor, front left, heather CARPET - Floor, front left, palm CARPET - Floor, front left, royal blue CARPET - Floor, front left, dark blue CARPET - Floor, front left, light blue CARPET - Floor, front left, raspberry CARPET - Floor, front left, brown CARPET - Floor, front left, firethorn red CARPET - Floor, front left, medium saddle CARPET - Floor, front left, dark cedar CARPET - Floor, front left, dark carmine CARPET - Floor, front left, dark saddle CARPET - Floor, front left CARPET ASSEMBLY - Floor, front left *SCUFF PAD	1 1 1 1 1 1 1 1 1 1 1 1 1 1 1 1	28-7911001 thru 28-8211060 28-7911001 thru 28-8011161 28-7911001 thru 28-8011161 28-8111001 and up 28-8311001 thru 28-8011161 28-7911001 thru 28-8011161 28-7911001 thru 28-8011161 28-8011001 and up 28-8011001 thru 28-8211060 28-8111001 and up 28-8211001 and up 28-8211001 and up 2811031 and up 2811031 and up
-2	591 547 591 704 591 705 591 828 592 099 591 706 591 707 591 905 591 906 591 965 592 040 592 041 79236-11 76161-15 76161-14	A,B	CARPET - Floor, front right, heather CARPET - Floor, front right, palm CARPET - Floor, front right, royal blue CARPET - Floor, front right, dark blue CARPET - Floor, front right, light blue CARPET - Floor, front right, raspberry CARPET - Floor, front right, brown CARPET - Floor, front right, firethorn red CARPET - Floor, front right, medium saddle CARPET - Floor, front right, dark cedar CARPET - Floor, front right, dark carmine CARPET - Floor, front right, dark saddle CARPET - Floor, front right CARPET ASSEMBLY - Floor, front right *SCUFF PAD	1 1 1 1 1 1 1 1 1 1 1 1 1 1 1	28-7911001 thru 28-8211060 28-7911001 thru 28-8011161 28-7911001 thru 28-8011161 28-8111001 and up 28-8311001 and up 28-7911001 thru 28-8011161 28-7911001 thru 28-8011161 28-8011001 and up 28-8011001 thru 28-8211060 28-8111001 and up 28-8211001 and up 28-8211001 and up 2811031 and up 2811031 and up
-3	591 501 591 620 591 621 591 806 592 078 591 622 591 623 591 859 591 860 591 943 591 996 591 997 79236-16	A,B	CARPET - Floor, outboard, heather CARPET - Floor, outboard, palm CARPET - Floor, outboard, royal blue CARPET - Floor, outboard, dark blue CARPET - Floor, outboard, light blue CARPET - Floor, outboard, raspberry CARPET - Floor, outboard, brown CARPET - Floor, outboard, firethorn red CARPET - Floor, outboard, medium saddle CARPET - Floor, outboard, dark cedar CARPET - Floor, outboard, dark carmine CARPET - Floor, outboard, dark saddle CARPET - Floor, outboard	2 2 2 2 2 2 2 2 2 2 2 2 2 2	28-7911001 thru 28-8211060 28-7911001 thru 28-8011161 28-7911001 thru 28-8011161 28-8111001 and up 28-8311001 and up 28-7911001 thru 28-8011161 28-7911001 thru 28-8011161 28-8011001 and up 28-8011001 thru 28-8211060 28-8111001 and up 28-8211001 and up 28-8211001 and up 28-8211001 and up
-4	591 503 591 624 591 625 591 807 592 079 591 626 591 627 591 861 591 862 591 944 591 998 591 999 79236-05	A,B	CARPET - Floor, center, heather CARPET - Floor, center, palm CARPET - Floor, center, royal blue CARPET - Floor, center, dark blue CARPET - Floor, center, light blue CARPET - Floor, center, raspberry CARPET - Floor, center, brown CARPET - Floor, center, firethorn red CARPET - Floor, center, medium saddle CARPET - Floor, center, dark cedar CARPET - Floor, center, dark carmine CARPET - Floor, center, dark saddle CARPET - Floor, center	2 2 2 2 2 2 2 2 2 2 2 2 2 2	28-7911001 thru 28-8211060 28-7911001 thru 28-8011161 28-7911001 thru 28-8011161 28-8111001 and up 28-8311001 and up 28-7911001 thru 28-8011161 28-7911001 thru 28-8011161 28-8011001 and up 28-8011001 thru 28-8211060 28-8111001 and up 28-8211001 and up 28-8211001 and up 28-8211001 and up
-5	591 549 591 708 591 709		CARPET - Floor, inboard left, heather CARPET - Floor, inboard left, palm CARPET - Floor, inboard left, royal blue	1 1 1	28-7911001 thru 28-8211060 28-7911001 thru 28-8011161 28-7911001 thru 28-8011161

When ordering, always specify Part Number, Description, and Serial Number of Aircraft

Reissued: June 1, 1990

PIPER AIRCRAFT PA-28-236 DAKOTA AIRPLANE PARTS CATALOG

Figure and Index Number	Part Number	Code	Nomenclature	No. Req.	Serial Numbers Affected
34-5	591 829		CARPET - Floor, inboard left, dark blue	1	28-8111001 and up
	592 100		CARPET - Floor, inboard left, light blue	1	28-8311001 and up
	591 710		CARPET - Floor, inboard left, raspberry	1	28-7911001 thru 28-8011161
	591 711		CARPET - Floor, inboard left, brown	1	28-7911001 thru 28-8011161
	591 907		CARPET - Floor, inboard left, firethorn red	1	28-8011001 and up
	591 908		CARPET - Floor, inboard left, medium saddle	1	28-8011001 thru 28-8211060
	591 966		CARPET - Floor, inboard left, dark cedar	1	28-8111001 and up
	592 042		CARPET - Floor, inboard left, dark carmine	1	28-8211001 and up
	592 043		CARPET - Floor, inboard left, dark saddle	1	28-8211001 and up
	591 551		CARPET - Floor, inboard right, heather	1	28-7911001 thru 28-8211060
	591 712		CARPET - Floor, inboard right, palm	1	28-7911001 thru 28-8011161
	591 713		CARPET - Floor, inboard right, royal blue	1	28-7911001 thru 28-8011161
	591 830		CARPET - Floor, inboard right, dark blue	1	28-8111001 and up
	592 101		CARPET - Floor, inboard right, light blue	1	28-8311001 and up
	591 714		CARPET - Floor, inboard right, raspberry	1	28-7911001 thru 28-8011161
	591 715		CARPET - Floor, inboard right, brown	1	28-7911001 thru 28-8011161
	591 909		CARPET - Floor, inboard right, firethorn red	1	28-8011001 and up
	591 910		CARPET - Floor, inboard right, medium saddle	1	28-8011001 thru 28-8211060
	591 967		CARPET - Floor, inboard right, dark cedar	1	28-8111001 and up
	592 044		CARPET - Floor, inboard right, dark carmine	1	28-8211001 and up
	592 045		CARPET - Floor, inboard right, dark saddle	1	28-8211001 and up
-6	591 543		CARPET - Tunnel, top, heather	1	28-7911001 thru 28-8211060
	591 696		CARPET - Tunnel, top, palm	1	28-7911001 thru 28-8011161
	591 697		CARPET - Tunnel, top, royal blue	1	28-7911001 thru 28-8011161
	591 825		CARPET - Tunnel, top, dark blue	1	28-8111001 and up
	592 096		CARPET - Tunnel, top, light blue	1	28-8311001 and up
	591 698		CARPET - Tunnel, top, raspberry	1	28-7911001 thru 28-8011161
	591 699		CARPET - Tunnel, top, brown	1	28-7911001 thru 28-8011161
	591 899		CARPET - Tunnel, top, firethorn red	1	28-8011001 and up
	591 900		CARPET - Tunnel, top, medium saddle	1	28-8011001 thru 28-8211060
	591 962		CARPET - Tunnel, top, dark cedar	1	28-8111001 and up
	592 034		CARPET - Tunnel, top, dark carmine	1	28-8211001 and up
	592 035		CARPET - Tunnel, top, dark saddle	1	28-8211001 and up
-7	35688-02	B	CARPET ASSEMBLY - Floor, rear and spar box	1	
-8	591 497		CARPET - Tunnel, left side, heather	1	28-7911001 thru 28-8211060
	591 612		CARPET - Tunnel, left side, palm	1	28-7911001 thru 28-8011161
	591 613		CARPET - Tunnel, left side, royal blue	1	28-7911001 thru 28-8011161
	591 804		CARPET - Tunnel, left side, dark blue	1	28-8111001 and up
	592 076		CARPET - Tunnel, left side, light blue	1	28-8311001 and up
	591 614		CARPET - Tunnel, left side, raspberry	1	28-7911001 thru 28-8011161
	591 615		CARPET - Tunnel, left side, brown	1	28-7911001 thru 28-8011161
	591 855		CARPET - Tunnel, left side, firethorn red	1	28-8011001 and up
	591 856		CARPET - Tunnel, left side, medium saddle	1	28-8011001 thru 28-8211060
	591 941		CARPET - Tunnel, left side, dark cedar	1	28-8111001 and up
	591 992		CARPET - Tunnel, left side, dark carmine	1	28-8211001 and up
	591 993		CARPET - Tunnel, left side, dark saddle	1	28-8211001 and up
	591 499		CARPET - Tunnel, right side, heather	1	28-7911001 thru 28-8211060
	591 616		CARPET - Tunnel, right side, palm	1	28-7911001 thru 28-8011161
	591 617		CARPET - Tunnel, right side, royal blue	1	28-7911001 thru 28-8011161
	591 805		CARPET - Tunnel, right side, dark blue	1	28-8111001 and up
	592 077		CARPET - Tunnel, right side, light blue	1	28-8311001 and up
	591 618		CARPET - Tunnel, right side, raspberry	1	28-7911001 thru 28-8011161
	591 619		CARPET - Tunnel, right side, brown	1	28-7911001 thru 28-8011161
	591 857		CARPET - Tunnel, right side, firethorn red	1	28-8011001 and up
	591 858		CARPET - Tunnel, right side, medium saddle	1	28-8011001 thru 28-8211060
	591 942		CARPET - Tunnel, right side, dark cedar	1	28-8111001 and up
	591 994		CARPET - Tunnel, right side, dark carmine	1	28-8211001 and up
	591 995		CARPET - Tunnel, right side, dark saddle	1	28-8211001 and up

When ordering, always specify Part Number, Description, and Serial Number of Aircraft

**PIPER AIRCRAFT
PA-28-236 DAKOTA
AIRPLANE PARTS CATALOG**

Figure and Index Number	Part Number	Code	Nomenclature	No. Req.	Serial Numbers Affected
34-9	591 491		CARPET - Baggage compartment, heather	1	28-7911001 thru 28-8211060
	591 608		CARPET - Baggage compartment, palm	1	28-7911001 thru 28-8011161
	591 609		CARPET - Baggage compartment, royal blue	1	28-7911001 thru 28-8011161
	591 803		CARPET - Baggage compartment, dark blue	1	28-8111001 and up
	592 075		CARPET - Baggage compartment, light blue	1	28-8311001 and up
	591 610		CARPET - Baggage compartment, raspberry	1	28-7911001 thru 28-8011161
	591 611		CARPET - Baggage compartment, brown	1	28-7911001 thru 28-8011161
	591 853		CARPET - Baggage compartment, firethorn red	1	28-8011001 and up
	591 854		CARPET - Baggage compartment, medium saddle	1	28-8011001 thru 28-8211060
	591 940		CARPET - Baggage compartment, dark cedar	1	28-8111001 and up
	591 990		CARPET - Baggage compartment, dark carmine	1	28-8211001 and up
	591 991		CARPET - Baggage compartment, dark saddle	1	28-8211001 and up
-10	63185-06		TRIM STRIP - Baggage compartment	1	
-11	63293-02		PLATE - Striker, baggage door	1	
-12	99433-00		CLIP - Carpet	1	
	99433-01		CLIP - Carpet	1	
-13	63130-02		PLATE - Heel	1	
-14	99240-00		RING - Seat belt boot	1	
-15	79828-03		PANEL - Floor	1	
-16	68094-03		PLATE - Seat attachment, aft, top	4	
-17	79781-02		PLATE - Seat attachment, aft, bottom	4	
-18	99252-10	C	COVER - Exhaust vent	2	
-19	99140-00		PLATE - Seat attachment, forward, bottom	4	
-20	99141-03		PLATE - Seat attachment, forward, top	4	
-21	415 536		SCREW - (MS35206-246)	8	
	477 683		TEE NUT - (SS-58162)	8	
-22	415 538		SCREW - (MS35206-248)	32	
	477 683		TEE NUT - (SS-58162)	32	

When ordering, always specify Part Number, Description, and Serial Number of Aircraft

PIPER AIRCRAFT
PA-28-236 DAKOTA
AIRPLANE PARTS CATALOG

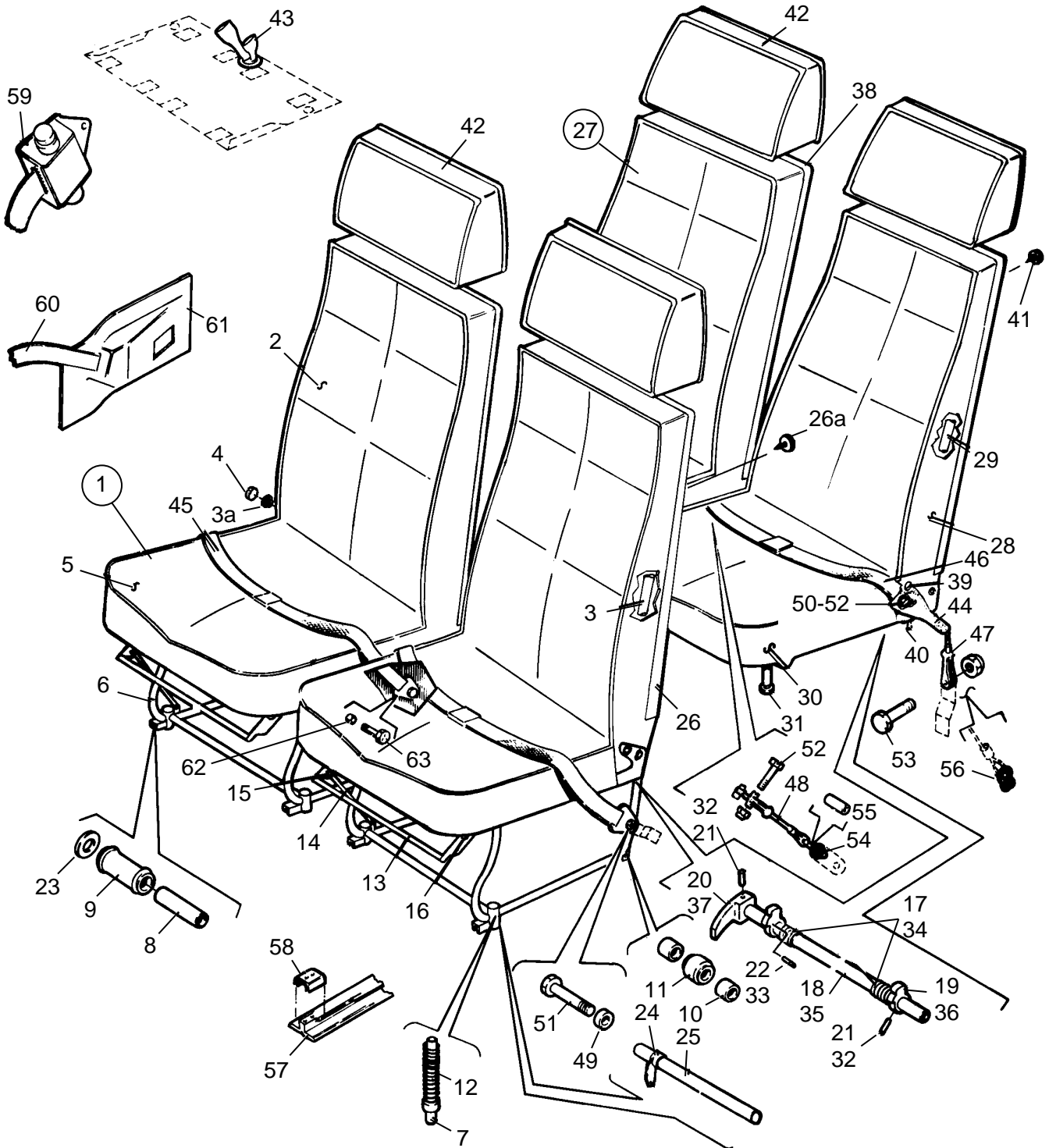


Figure 35. Seats Installation

PIPER AIRCRAFT PA-28-236 DAKOTA AIRPLANE PARTS CATALOG

CODE EXPLANATIONS FOR FIGURE 35

- A - When ordering this part, serial numbers of aircraft must be supplied. When ordering for serial numbers 28-7911001 thru 28-7911009, specify color red (color code 7326), blue (color code 7327), gold (color code 7328), navajo sepia or navajo cactus. When ordering for serial numbers 28-7911010 thru 28-8211060, specify color red (color code 792), blue (color code 793), gold (color code 794), navajo sepia or navajo cactus. Also specify trim color black or camel, if applicable, on 1979 to 1982 model aircraft.
- B - When ordering, specify color red, blue, gold, navajo sepia, navajo cactus, "bark KK," or black.
- C - When ordering, specify color olivetone, raspberry, or tan for serial numbers 28-7911001 thru 28-7911395. Specify color midnight blue (color code 785) for serial numbers 28-7911001 thru 28-7911198, or dark blue (color code 796) for serial numbers 28-7911199 and up. Specify color firethorn red, buckskin, dark cedar, dark carmine, or sandalwood, for serial numbers 28-8011001 and up. When ordering dark cedar, specify velour or knit.
- D - Before ordering, check O.D. at center of seat roller. If O.D. of roller measures .42, (2) rollers P/N 18968-00 must be ordered. If O.D. of roller measures .62 order (2) rollers P/N 87332.02.
- E - When ordering, specify color madrid red, bahama blue, dark blue, buckskin, light buckskin, firethorn red, dark firethorn, dark cedar, dark saddle, sandalwood, or patrician sandalwood. Also specify material cloth, velour, knit, or leather.
- F - When ordering, specify material Dutch twill, Irish weave, or leather. Also specify color mist blue, pearl gray, fawn, or amethyst.

**PIPER AIRCRAFT
PA-28-236 DAKOTA
AIRPLANE PARTS CATALOG**

Figure and Index Number	Part Number	Code	Nomenclature	No. Req.	Serial Numbers Affected
35-	76170 79164		DRAWING - Seats Installation DRAWING - Shoulder Harness Installation		
-1	79337-21 79337-58 79337-43 79337-70 79337-22 79337-61 79337-44 79337-73 89023-02	A E C E A E C E	SEAT ASSEMBLY - Front, left SEAT ASSEMBLY - Front, left SEAT ASSEMBLY - Front, left (luxurious) SEAT ASSEMBLY - Front, left (luxurious) SEAT ASSEMBLY - Front, right SEAT ASSEMBLY - Front, right SEAT ASSEMBLY - Front, right (luxurious) SEAT ASSEMBLY - Front, right (luxurious) SEAT ASSEMBLY - Front, left	1 1 1 1 1 1 1 1	28-7911001 thru 28-8211060 28-8311001 and up 28-7911001 thru 28-8211060 28-8311001 and up 28-7911001 thru 28-8211060 28-8311001 and up 28-7911001 thru 28-8211060 28-8311001 and up
	89023-03		SEAT ASSEMBLY - Front, right	1	28-8611001 thru 28-8611008, and 2811001 and up
-2	79337-16 79337-59 79337-27 79337-71 79337-17 79337-62 79337-28 79337-74 89023-10	A E C E A E C E	* CUSHION AND FRAME ASSEMBLY - Back, left * CUSHION AND FRAME ASSEMBLY - Back, left * CUSHION AND FRAME ASSEMBLY - Back, left (luxurious) * CUSHION AND FRAME ASSEMBLY - Back, left (luxurious) * CUSHION AND FRAME ASSEMBLY - Back, right * CUSHION AND FRAME ASSEMBLY - Back, right * CUSHION AND FRAME ASSEMBLY - Back, right (luxurious) * CUSHION AND FRAME ASSEMBLY - Back, right (luxurious)	1 1 1 1 1 1 1	28-7911001 thru 28-8211060 28-8311001 and up 28-7911001 thru 28-8211060 28-8311001 and up 28-7911001 thru 28-8211060 28-8311001 and up 28-7911001 thru 28-8211060 28-8311001 and up
	89023-11	F	* CUSHION AND FRAME ASSEMBLY - Back, right	1	28-8611001 thru 28-8611008, and 2811001 and up
-3	79555-00		** FRAME ASSEMBLY - Back, left	1	
	79555-01		** FRAME ASSEMBLY - Back, right	1	
-3a	453 732		*** BUSHING - Seat back, right (PS10064-375-4)	1	
-4	79554-02		** KNOB - Seat back release, right	1	
-5	79337-23 79337-60 79337-32 79337-72 79337-24 79337-63 79337-33 79337-75 89023-06	A E C E A E C E	* CUSHION AND FRAME ASSEMBLY - Bottom, left * CUSHION AND FRAME ASSEMBLY - Bottom, left * CUSHION AND FRAME ASSEMBLY - Bottom, left (luxurious) * CUSHION AND FRAME ASSEMBLY - Bottom, left (luxurious) * CUSHION AND FRAME ASSEMBLY - Bottom, right * CUSHION AND FRAME ASSEMBLY - Bottom, right * CUSHION AND FRAME ASSEMBLY - Bottom, right (luxurious) * CUSHION AND FRAME ASSEMBLY - Bottom, right (luxurious)	1 1 1 1 1 1 1	28-7911001 thru 28-8211060 28-8311001 and up 28-7911001 thru 28-8211060 28-8311001 and up 28-7911001 thru 28-8211060 28-8311001 and up 28-7911001 thru 28-8211060 28-8311001 and up
	89023-07	F	* CUSHION AND FRAME ASSEMBLY - Bottom, right	1	28-8611001 thru 28-8611008 and 2811001 and up
-6	79819-02		** FRAME ASSEMBLY - Bottom, left	1	
	79819-03		** FRAME ASSEMBLY - Bottom, right	1	
-7	76175-03		*** PLUNGER - Seat bottom	2	
-8	95061-106		*** SPACER - Seat roller, front legs	2	
-9	18968-00	D	*** ROLLER - Seat track, front legs (O.D. - .42)	2	
-9a	87332-02	D	*** ROLLER - Seat track, front legs (O.D. - .62)	2	
-10	95061-161		*** SPACER - Seat roller, aft legs	4	
-11	452 386		*** ROLLER - Aft legs (NAS506-4)	2	
-12	587 299		*** SPRING - Seat plunger (LC-038F-6SS)	2	
-13	79207-00		*** HANDLE ASSEMBLY - Seat release	1	
-14	79322-06		*** ROD - Seat release mechanism	1	

When ordering, always specify Part Number, Description, and Serial Number of Aircraft

**PIPER AIRCRAFT
PA-28-236 DAKOTA
AIRPLANE PARTS CATALOG**

Figure and Index Number	Part Number	Code	Nomenclature	No. Req.	Serial Numbers Affected
35-15	407 561		*** WASHER - (AN960-4)	2	
	406 369		*** NUT - (A1037-012-3)	2	
-16	400 002		*** BOLT - (AN4-5A)	2	
	494 040		*** WASHER - (PS10011-12) Nylon	6	
	404 836		*** NUT - (MS20364-428C)	2	
-17	19336-00		*** SPRING - Seat back adjustment, inboard	1	
	19336-01		*** SPRING - Seat back adjustment, outboard	1	
-18	79230-02		*** TUBE - Reclining mechanism	1	
-19	19365-02		*** CAM - Reclining seat	2	
-20	79442-00		*** HANDLE - Seat back adjustment	1	
-21	480 701		*** PIN - Roll (59-028-125-0625)	3	
-22	480 732		*** PIN - Roll (59-040-187-0937)	2	
-23	62833-78		*** WASHER - Seat roller	8	
-24	76178-00		*** ARM ASSEMBLY - Seat latch	1	
-25	76172-00		*** BELLCRANK ASSEMBLY - Seat latch	1	
-26	78041-00	B	* COVER - Seat back	1	28-7911001 thru 28-8211060
	78041-09	C	* COVER - Seat back (luxurious)	1	28-7911001 thru 28-8211060
-26a	67958-03	C	* BUTTON ASSEMBLY - Seat back	5	28-7911001 thru 28-8211060
	67958-05	E	* BUTTON ASSEMBLY - Seat back	5	28-8311001 and up
-27	96827-22	A	SEAT ASSEMBLY - Rear, left	1	28-7911001 thru 28-8211060
	96827-35	E	SEAT ASSEMBLY - Rear, left	1	28-8311001 and up
	96827-29	C	SEAT ASSEMBLY - Rear, left (luxurious)	1	28-7911001 thru 28-8211060
	96827-41	E	SEAT ASSEMBLY - Rear, left (luxurious)	1	28-8311001 and up
	96827-23	A	SEAT ASSEMBLY - Rear, right	1	28-7911001 thru 28-8211060
	96827-37	E	SEAT ASSEMBLY - Rear, right	1	28-8311001 and up
	96827-30	C	SEAT ASSEMBLY - Rear, right (luxurious)	1	28-7911001 thru 28-8211060
	96827-43	E	SEAT ASSEMBLY - Rear, right (luxurious)	1	28-8311001 and up
-28	79337-16	A	* CUSHION AND FRAME ASSEMBLY - Seat back, left and right	1	28-7911001 thru 28-8211060
	79337-59	E	* CUSHION AND FRAME ASSEMBLY - Seat back, left and right	1	28-8311001 and up
	79337-27	C	* CUSHION AND FRAME ASSEMBLY - Seat back, left and right (luxurious)	1	28-7911001 thru 28-8211060
	79337-71	E	* CUSHION AND FRAME ASSEMBLY - Seat back, left and right (luxurious)	1	28-8311001 and up
-29	79555-00		** FRAME ASSEMBLY - Seat back	1	
-30	96827-26	A	* CUSHION AND FRAME ASSEMBLY - Bottom, left	1	28-7911001 thru 28-8211060
	96827-36	E	* CUSHION AND FRAME ASSEMBLY - Bottom, left	1	28-8311001 and up
	96827-31	C	* CUSHION AND FRAME ASSEMBLY - Bottom, left (luxurious)	1	28-7911001 thru 28-8211060
	96827-42	E	* CUSHION AND FRAME ASSEMBLY - Bottom, left (luxurious)	1	28-8311001 and up
	96827-27	A	* CUSHION AND FRAME ASSEMBLY - Bottom, right	1	28-7911001 thru 28-8211060
	96827-38	E	* CUSHION AND FRAME ASSEMBLY - Bottom, right	1	28-8311001 and up
	96827-32	C	* CUSHION AND FRAME ASSEMBLY - Bottom, right (luxurious)	1	28-7911001 thru 28-8211060
	96827-44	E	* CUSHION AND FRAME ASSEMBLY - Bottom, right (luxurious)	1	28-8311001 and up
-31	99077-16		** FRAME ASSEMBLY - Seat bottom, left	1	
	99077-17		** FRAME ASSEMBLY - Seat bottom, right	1	
-32	480 701		*** PIN - Roll (59-028-125-0625)	3	
-33	480 732		*** PIN - Roll (59-040-187-0937)	2	
-34	19336-00		*** SPRING - Seat back adjustment, inboard	1	
	19336-01		*** SPRING - Seat back adjustment, outboard	1	
-35	19392-15		*** TUBE - Reclining mechanism	2	
-36	19365-02		*** CAM - Reclining seat	2	
-37	79442-00		*** HANDLE - Seat back adjustment	1	
-38	78041-02	B	* COVER ASSEMBLY - Rear seat, back	1	28-7911001 thru 28-8211060
	78041-10	C	* COVER ASSEMBLY - Rear seat, back (luxurious)	1	28-7911001 thru 28-8211060
-39	400 916		* BOLT - (AN24-26A)	2	
	407 565		* WASHER - (AN960-416)	2	
	477 709		* NUT - (26C-048)	2	
-40	79436-00	B	* FOOT - Seat attachment, rear legs	2	
-41	67958-03	C	* BUTTON ASSEMBLY - Seat back	5	28-7911001 thru 28-8211060
	67958-05	E	* BUTTON ASSEMBLY - Seat back	5	28-8311001 and up

When ordering, always specify Part Number, Description, and Serial Number of Aircraft

Reissued: June 1, 1990

PIPER AIRCRAFT PA-28-236 DAKOTA AIRPLANE PARTS CATALOG

Figure and Index Number	Part Number	Code	Nomenclature	No. Req.	Serial Numbers Affected
35-42	79764-02	A	HEADREST ASSEMBLY - Complete (10" high)	4	28-7911001 thru 28-7911395
	79337-18	A	HEADREST ASSEMBLY - Complete (8" high)	4	28-7911001 thru 28-8211060
	79337-41	C	HEADREST ASSEMBLY - Complete (6" high) luxurious	4	28-7911001 thru 28-8211060
	79764-04	C	HEADREST ASSEMBLY - Complete (10" high) luxurious	4	28-7911001 thru 28-7911395
	36938-04	E	HEADREST ASSEMBLY - Complete	4	28-8311001 thru 28-8511020
	36938-04	F	HEADREST ASSEMBLY - Rear, complete	2	28-8611001 thru 28-8611008 and 2811001 and up
	89028-02	F	HEADREST ASSEMBLY - Front, complete	2	28-8611001 thru 28-8611008 and 2811001 and up
-43	99242-13		BOOT ASSEMBLY - Seat belt	1	
-44	68022-14		BOOT - Seat belt attachment	2	
-45	551 390		BELT ASSEMBLY - Safety, front (PS50039-4-2A)	2	
-46	551 374		BELT ASSEMBLY - Safety, rear (PS50039-4-3)	2	
-47	96908-00		CABLE ASSEMBLY - Seat belt attachment, rear, outboard	2	
-48	96908-00		CABLE ASSEMBLY - Seat belt attachment, rear, inboard	2	
-49	63900-145		BUSHING - Front seat safety belt attachment	2	
-50	63900-149		BUSHING - Rear seat safety belt attachment	4	
-51	401 269		BOLT - (AN3-10A)	2	
-52	401 187		BOLT - (AN5-7A)	4	
	407 566		WASHER - (AN960-516)	4	
	404 837		NUT - (MS20364-524C)	4	
-53	400 004		BOLT - (AN4-7A)	2	
	407 565		WASHER - (AN960-416)	2	
	404 888		NUT - (MS20365-428C)	2	
-54	401 355		BOLT - (AN5-14A)	1	
	407 566		WASHER - (AN960-516)	1	
	404 889		NUT - (MS20365-524C)	1	
-55	95061-91		BUSHING - Rear seat cable attachment	1	
-56	486 560		SHACKLE - (MS20115F5)	2	
-57	62557-04		TRACK - Seat	4	
-58	62654-00		STOP - Seat	8	
-59	551 425		BELT ASSEMBLY - Shoulder, front (fixed) (PS50039-4-23)	2	28-8111001 thru 28-8211060
	452 680		BELT ASSEMBLY - Shoulder, front (with inertia reel) (PS50039-4-20)	2	
-60	551 424		BELT ASSEMBLY - Shoulder, rear (fixed) (PS50039-4-22)	2	28-8111001 thru 28-8211060
	452 679		BELT ASSEMBLY - Shoulder, rear (with inertia reel) (PS50039-4-19)	2	
-61	99920-02		COVER ASSEMBLY - Inertia reel, left	1	
	99920-03		COVER ASSEMBLY - Inertia reel, right	1	
-62	95061-186		BUSHING - Front seat safety belt attachment, left (.25" L.)	1	
	95061-180		BUSHING - Front seat safety belt attachment, right (.34" L.)	1	
-63	400 863		BOLT - (AN23-11A), left	1	
	401 269		BOLT - (AN3-10A), right	1	

When ordering, always specify Part Number, Description, and Serial Number of Aircraft

**PIPER AIRCRAFT
PA-28-236 DAKOTA
AIRPLANE PARTS CATALOG**

CODE EXPLANATIONS FOR FIGURE 36

- A - When ordering this part, serial numbers of aircraft must be supplied. When ordering for serial numbers 28-7911001 to 28-7911009 inclusive; specify color red (color code 7326), blue (color code 7327), gold (color code 7328), navajo sepia or navajo cactus. When ordering for serial numbers 28-7911010 thru 28-8211060, specify color red (color code 792), blue (color code 793), gold (color code 794), navajo sepia or navajo cactus. Also specify trim color black or camel, if applicable, on 1979 to 1982 model aircraft.
- B - When ordering, specify color red, blue, gold, navajo sepia, navajo cactus, "bark II," or black.
- C - When ordering, specify color olivetone, raspberry, or tan for serial numbers 28-7911001 thru 28-7911395. Specify color midnight blue (color code 785) for serial numbers 28-7911001 thru 28-7911198, or dark blue (color code 796) for serial numbers 28-7911199 and up. Specify color firethorn red, buckskin, dark cedar, dark carmine, or sandalwood, for serial numbers 28-8011001 and up. When ordering dark cedar, specify velour or knit.
- D - When ordering, specify material dutch twill, Irish weave, or leather mist blue, pearl gray, fawn, or amethyst.
- E - For both pilot and co-pilot.
- F - Before ordering, check O.D. at center of seat roller. If O.D. of roller measures .42, (2) rollers P/N 18968-00 must be ordered. If O.D. of roller measures .62, order (2) rollers P/N 87332-02.
- G - When ordering, specify color madrid red, bahama blue, dark blue, buckskin, light buckskin, firethorn red, dark firethorn, dark cedar, dark saddle, sandalwood, or patrician sandalwood. Also specify material cloth velour, knit, or leather.

PIPER AIRCRAFT PA-28-236 DAKOTA AIRPLANE PARTS CATALOG

Figure and Index Number	Part Number	Code	Nomenclature	No. Req.	Serial Numbers Affected
	02585		DRAWING - Crew Seats Lumbar Installation		
36-1	79591-02	A	SEAT ASSEMBLY - Adjustable front, left	1	28-7911001 thru 28-8211060
	79591-08	G	SEAT ASSEMBLY - Adjustable front, left	1	28-8311001 and up
	79591-04	C	SEAT ASSEMBLY - Adjustable front, left (luxurious)	1	28-7911001 thru 28-8211060
	79591-10	G	SEAT ASSEMBLY - Adjustable front, left (luxurious)	1	28-8311001 and up
	79591-03	A	SEAT ASSEMBLY - Adjustable front, right	1	28-7911001 thru 28-8211060
	79591-09	G	SEAT ASSEMBLY - Adjustable front, right	1	28-8311001 and up
	79591-05	C	SEAT ASSEMBLY - Adjustable front, right (luxurious)	1	28-7911001 thru 28-8211060
	79591-11	G	SEAT ASSEMBLY - Adjustable front, right (luxurious)	1	28-8311001 thru 28-8511020
	89026-02		SEAT ASSEMBLY - Adjustable front, left	1	28-8611001 thru 28-8611008, and 2811001 and up
	89026-03		SEAT ASSEMBLY - Adjustable front, right	1	28-8611001 thru 28-8611008, and 2811001 and up
-1a	02585-04		LUMBAR ASSEMBLY - Pilot seat	1	28-7911001 and up
	02585-05		LUMBAR ASSEMBLY - Copilot seat	1	28-7911001 and up
	686 083	E	* BLADDER - (B-9510)	1	
	02585-06	E	* PAD	1	
-1b	453 024	E	PUMP ASSEMBLY - (MS1000-24)	1	
-1c	411 536	E	SCREW - (MS35207-267)	1	
	404 526	E	NUT - (MS21042-3)	1	
	407 564	E	WASHER - (AN960-10)	1	
	454 935	E	CLAMP - (PS10017-2-10)	1	
	63900-79	E	BUSHING	1	
	911 981	E	CEMENT - (EC-847)	AR	
-2	79337-16	A	* CUSHION ASSEMBLY - Back, left	1	28-7911001 thru 28-8211060
	79337-59	G	* CUSHION ASSEMBLY - Back, left	1	28-8311001 and up
	79337-27	C	* CUSHION ASSEMBLY - Back, left (luxurious)	1	28-7911001 thru 28-8211060
	79337-71	G	* CUSHION ASSEMBLY - Back, left (luxurious)	1	28-8311001 and up
	79337-17	A	* CUSHION ASSEMBLY - Back, right	1	28-7911001 thru 28-8211060
	79337-62	G	* CUSHION ASSEMBLY - Back, right	1	28-8311001 and up
	79337-28	C	* CUSHION ASSEMBLY - Back, right (luxurious)	1	28-7911001 thru 28-8211060
	79337-74	G	* CUSHION ASSEMBLY - Back, right (luxurious)	1	28-8311001 thru 28-8511020
	89023-10	D	* COVER, FILLER, AND FRAME ASSEMBLY - Seat back, front left	1	28-8611001 thru 28-8611008, and 2811001 and up
	89023-11	D	* COVER, FILLER, AND FRAME ASSEMBLY - Seat back, front right	1	28-8611001 thru 28-8611008, and 2811001 and up
-3	79555-00		** FRAME ASSEMBLY - Back, left	1	
	79555-01		** FRAME ASSEMBLY - Back, right	1	
-3a	453 732		*** BUSHING - Seat back, right (PS10064-375-4)	1	
-4	99718-05		*** STOP ASSEMBLY - Seat latch	1	
-5	79554-02		** KNOB - Seat back release, right	1	
-6	79539-02		* FRAME ASSEMBLY - Bottom, left	1	
	79539-03		* FRAME ASSEMBLY - Bottom, right	1	
-7	480 777		** PIN - (MS9048-100) .50 long	3	
	480 592		** PIN - (MS9048-101) .56 long	3	
-8	480 789		** PIN - (MS9048-170)	4	
-9	19336-00		** SPRING - Seat back adjustment, left	1	
	19336-01		** SPRING - Seat back adjustment, right	1	
-10	18968-00	F	** ROLLER - Seat (O.D. - .42)	2	
-10a	87332-02	F	** ROLLER - Seat (O.D. - .62)	2	
-11	19365-02		** CAM - Reclining seat	2	
-12	79207-00		** HANDLE ASSEMBLY - Seat release	1	
-13	76187-00		** ARM ASSEMBLY - Seat release	1	
-14	76178-00		** ARM ASSEMBLY - Seat latch	2	
-15	62833-78		** WASHER	8	
-16	587 299		** SPRING - Seat plunger (LC-038F-6SS)	2	
-17	452 386		** ROLLER - (NAS506-4)	2	

When ordering, always specify Part Number, Description, and Serial Number of Aircraft

Reissued: June 1, 1990

**PIPER AIRCRAFT
PA-28-236 DAKOTA
AIRPLANE PARTS CATALOG**

Figure and Index Number	Part Number	Code	Nomenclature	No. Req.	Serial Numbers Affected
36-18	76175-00		** PLUNGER	2	
-19	76172-03		** TUBE - Bellcrank	1	
-20	76347-00		** BELLCRANK ASSEMBLY - Forward	1	
-21	76349-00		** BELLCRANK ASSEMBLY - Aft	1	
-22	76342-00		** LINK ASSEMBLY - Seat	1	
-23	76343-00		** TUBE ASSEMBLY - Forward	1	
-24	76351-02		** BUSHING - Seat	2	
-25	76351-03		** BUSHING - Seat	2	
-26	37848-02		** TUBE ASSEMBLY - Aft	1	
-27	79229-00		** BEARING SHAFT - Seat release, right	1	
-28	79230-02		** TUBE - Seat reclining	1	
-29	79235-00		** BUSHING - Seat back release, right	1	
-30	76176-00		** COVER - Reclining seat	1	
-31	79442-02		** HANDLE - Seat back adjustment, black	1	
-32	95061-106		** SPACER	2	
-33	95061-161		** SPACER - Seat	4	
-34	480 801		** PIN - (MS9048-173) (1.37 L.)	4	
-35	480 701		** PIN - Roll (59-028-125-0625)	3	
-36	480 732		** PIN - Roll (59-040-187-0937)	2	
-37	400 002		** BOLT - (AN4-5A)	2	
	494 040		** WASHER - (PS10011-12)	6	
	404 888		** NUT - (MS20364-428C)	2	
-38	401 318		** BOLT - (AN4-20A)	2	
	404 888		** NUT - (MS20365-428C)	2	
-39	424 205		** PIN - (MS20392-3C17)	4	
	407 565		** WASHER - (AN960-416)	AR	
	407 585		** WASHER - (AN960-416L)	AR	
	424 051		** COTTER PIN - (MS24665-132)	2	
-40	424 172		** PIN - (MS20392-2C11)	4	
	407 564		** WASHER - (AN960-10)	4	
	424 051		** COTTER PIN - (MS24665-132)	4	
-41	78041-00	B	* COVER ASSEMBLY - Seat back	1	28-7911001 thru 28-8211060
	78041-09	C	* COVER ASSEMBLY - Seat back (luxurious)	1	28-7911001 thru 28-8211060
	89023-13	D	* COVER - Seat back, left and right front	1	28-8611001 thru 28-8611008 and 2811001 and up
-42	556 469		* COVER ASSEMBLY - Seat bottom, red (with black trim)	1	28-7911001 thru 28-8011161
	556 932		* COVER ASSEMBLY - Seat bottom, red	1	28-8111001 thru 28-8211060
	556 470		* COVER ASSEMBLY - Seat bottom, blue (with black trim)	1	28-7911001 thru 28-8011161
	556 933		* COVER ASSEMBLY - Seat bottom, blue	1	28-8111001 thru 28-8211060
	556 471		* COVER ASSEMBLY - Seat bottom, gold (with black trim)	1	28-7911001 thru 28-8211060
	555 884		* COVER ASSEMBLY - Seat bottom, navajo sepia (with camel trim)	1	28-7911001 thru 28-8211060
	555 885		* COVER ASSEMBLY - Seat bottom, navajo cactus (with camel trim)	1	28-7911001 thru 28-8211060
	555 888		* COVER ASSEMBLY - Seat bottom, navajo sepia (with black trim)	1	28-7911001 thru 28-8211060
	555 889		* COVER ASSEMBLY - Seat bottom, navajo cactus (with black trim)	1	28-7911001 thru 28-8211060
	556 472		* COVER ASSEMBLY - Seat bottom, red (with camel trim)	1	28-7911001 thru 28-8011161
	556 473		* COVER ASSEMBLY - Seat bottom, blue (with camel trim)	1	28-7911001 thru 28-8011161
	556 474		* COVER ASSEMBLY - Seat bottom, gold (with camel trim)	1	28-7911001 thru 28-8211060
	556 236		* COVER ASSEMBLY - Seat bottom, olivetone (luxurious)	1	28-7911001 thru 28-7911395
	556 237		* COVER ASSEMBLY - Seat bottom, midnight blue (luxurious)	1	28-7911001 thru 28-7911198
	556 705		* COVER ASSEMBLY - Seat bottom, dark blue (luxurious)	1	28-7911199 thru 28-8211060
	556 238		* COVER ASSEMBLY - Seat bottom, raspberry (luxurious)	1	28-7911001 thru 28-7911395
	556 239		* COVER ASSEMBLY - Seat bottom, tan (luxurious)	1	28-7911001 thru 28-7911395

When ordering, always specify Part Number, Description, and Serial Number of Aircraft

PIPER AIRCRAFT PA-28-236 DAKOTA AIRPLANE PARTS CATALOG

Figure and Index Number	Part Number	Code	Nomenclature	No. Req.	Serial Numbers Affected
36-42	556 677		* COVER ASSEMBLY - Seat bottom, firethorn red (luxurious)	1	28-8011001 thru 28-8211060
	556 678		* COVER ASSEMBLY - Seat bottom, buckskin (luxurious)	1	28-8011001 thru 28-8211060
	556 921		* COVER ASSEMBLY - Seat bottom, dark cedar (lux. knit)	1	28-8111001 thru 28-8211060
	557 035		* COVER ASSEMBLY - Seat bottom, dark cedar (lux., velour)	1	28-8211001 thru 28-8211060
	557 033		* COVER ASSEMBLY - Seat bottom, dark carmine (lux., velour)	1	28-8211001 thru 28-8211060
	557 034		* COVER ASSEMBLY - Seat bottom, sandalwood (lux., fabric)	1	28-8211001 thru 28-8211060
	559 827		* COVER ASSEMBLY - Seat bottom, madrid red (cloth)	1	28-8311001 thru 28-8511020
	559 721		* COVER ASSEMBLY - Seat bottom, firethorn red (velour)	1	28-8311001 thru 28-8511020
	559 784		* COVER ASSEMBLY - Seat bottom, dark firethorn (leather)	1	28-8311001 thru 28-8511020
	559 828		* COVER ASSEMBLY - Seat bottom, bahama blue (cloth)	1	28-8311001 thru 28-8511020
	559 700		* COVER ASSEMBLY - Seat bottom, dark blue (velour)	1	28-8311001 thru 28-8511020
	559 748		* COVER ASSEMBLY - Seat bottom, dark blue (leather)	1	28-8311001 thru 28-8511020
	559 829		* COVER ASSEMBLY - Seat bottom, buckskin (cloth)	1	28-8311001 thru 28-8511020
	559 795		* COVER ASSEMBLY - Seat bottom, light buckskin (leather)	1	28-8311001 thru 28-8511020
	559 707		* COVER ASSEMBLY - Seat bottom, dark cedar (knit)	1	28-8311001 thru 28-8511020
	559 772		* COVER ASSEMBLY - Seat bottom, dark cedar (leather)	1	28-8311001 thru 28-8511020
	559 735		* COVER ASSEMBLY - Seat bottom, sandalwood (fabric)	1	28-8311001 thru 28-8511020
	559 728		* COVER ASSEMBLY - Seat bottom, partrician sandalwood (fab.)	1	28-8311001 thru 28-8511020
	559 714		* COVER ASSEMBLY - Seat bottom, dark saddle (knit)	1	28-8311001 thru 28-8511020
	559 760		* COVER ASSEMBLY - Seat bottom, dark saddle (leather)	1	28-8311001 thru 28-8511020
	89046-08	D	* COVER - Seat bottom, left and right front	1	28-8611001 thru 28-8611008 and 2811001 and up
-43	587 404		* CONTROL ASSEMBLY - Seat adjustment (Gas Spring Corp.) (P/N 06-10-080-310-025)	1	
-44	37902-06		* ADAPTER - Seat contro1	1	
-44a	82695-89		* BUSHING	1	28-8611015 and up
-45	37902-08		* CONTROL ARM - Actuator	1	
-46	554 422		* CABLE ASSEMBLY - Seat track release (crew operated, length 27") (PS50146-8-1)	1	
-47	37902-05		* BUSHING - Actuator	1	
-48	471 084		* KNOB - Actuator (233)	1	
-49	67958-03	C	* BUTTON ASSEMBLY - Seat back	5	28-7911001 thru 28-8211060
	67958-05	G	* BUTTON ASSEMBLY - Seat back	5	28-8311001 and up
-50	401 318		* BOLT - (AN4-20A)	2	
	477 708		* WASHER - (26C-048)	2	
-51	79764-02	A	HEADREST ASSEMBLY - Complete, (10 High)	4	28-7911001 thru 28-7911395
	79337-18	A	HEADREST ASSEMBLY - Complete, (8 High)	4	28-7911001 thru 28-8211060
	79337-41	C	HEADREST ASSEMBLY - Complete, (6 High) luxurious	4	28-7911001 thru 28-8211060
	79764-04	C	HEADREST ASSEMBLY - Complete, (10 High) luxurious	4	28-7911001 thru 28-7911395
	36938-04	G	HEADREST ASSEMBLY - Complete	4	28-8311001 thru 28-8511020
	36938-04	D	HEADREST - Complete, rear	2	28-8611001 thru 28-8611008 and 2811001 and up
	89028-02	D	HEADREST - Complete, front	2	28-8611001 thru 28-8611008 and 2811001 and up

When ordering, always specify Part Number, Description, and Serial Number of Aircraft

PIPER AIRCRAFT
PA-28-236 DAKOTA
AIRPLANE PARTS CATALOG

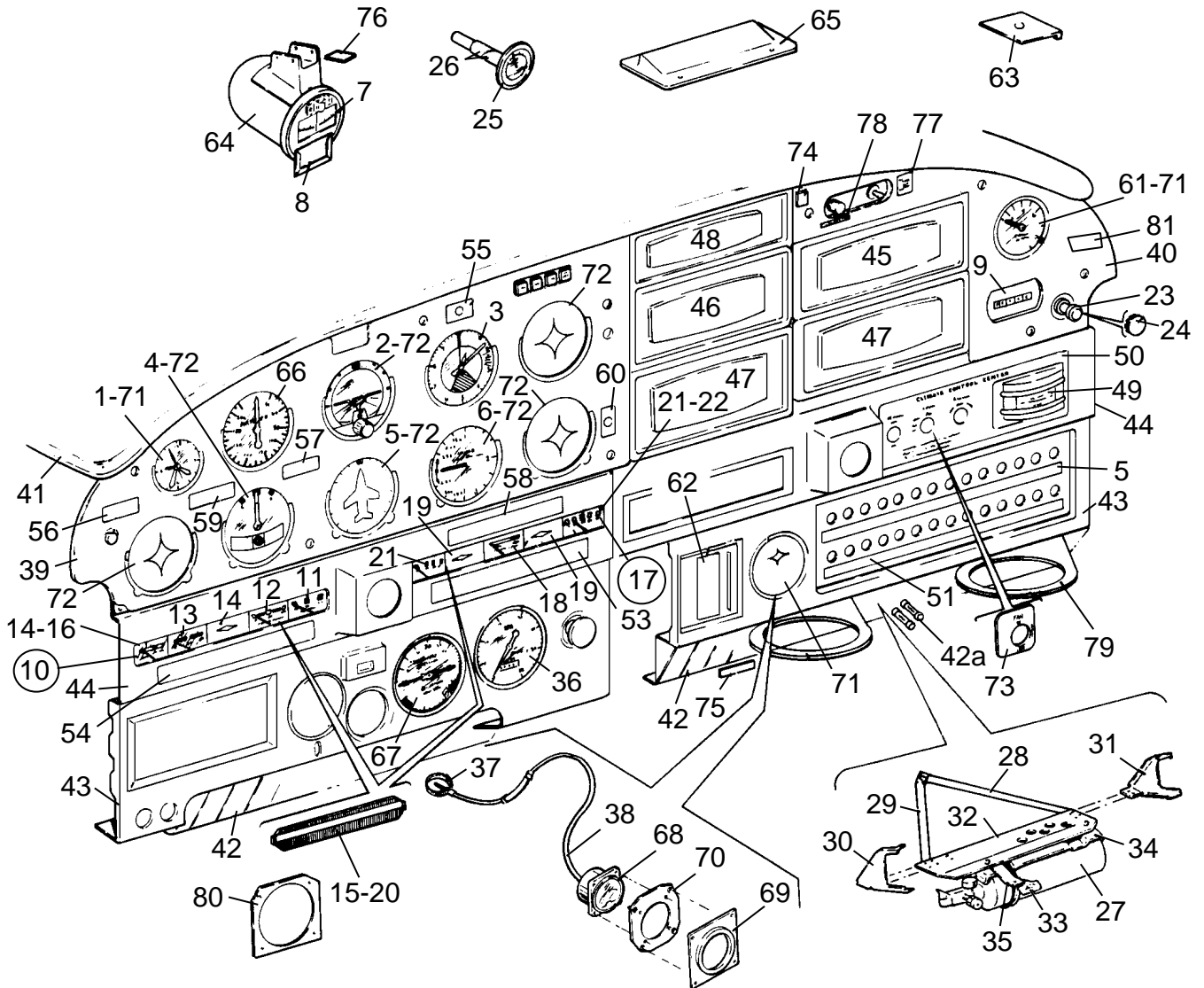


Figure 37. Instrument Panel Installation

Reissued: June 1, 1990

**PIPER AIRCRAFT
PA-28-236 DAKOTA
AIRPLANE PARTS CATALOG**

CODE EXPLANATIONS FOR FIGURE 37

- A - When ordering specify color bark II or black.
- B - When ordering specify color camel, black or mocha.
- C - Used if air conditioning is installed.
- D - Used if fresh air blower is installed.
- E - See figure 70A if Autoflite II is installed.
- F - See figure 70B if Autocontrol III B is installed.
- G - Used when carburetor ice detector is installed.
- H - Includes cable assembly.
- J - Used if Century 21 Autopilot is installed.
- K - Used if NSD-360 is installed.
- L - Located on right hand shin guard channel assembly only.
- M - Used if King KAP 100/150 Autopilot is installed.
- N - Used when auxiliary vacuum system is installed.
- P - Requires installation of Piper kit 765 186 on s/n 28-7911001 thru 28-8511020. See Piper service bulletin 811A.
- Q - See figure 10 for new holder bracket installation for 2811032 and up. Also see figure 32 for fire extinguisher and hardware.

PIPER AIRCRAFT PA-28-236 DAKOTA AIRPLANE PARTS CATALOG

Figure and Index Number	Part Number	Code	Nomenclature	No. Req.	Serial Numbers Affected
37-	35800		DRAWING - Instrument Panel Installation		
	79043		DRAWING - Instrument Panel Cover Installation		
	37872		DRAWING - Fire Extinguisher Installation		28-7911004 and up
	87453		DRAWING - Crew Cup Holder Installation		28-8311001 and up
-1	548 868		INSTRUMENT - Clock, electric (MD88P)	1	
-2	99002-03	F	INSTRUMENT - Gyro horizon (Edo-Aire 5000B-9)	1	
	99002-08	F	INSTRUMENT - Gyro horizon (Aeritalia S.P.A. 36101P)	1	
-3	550 493		INSTRUMENT - Altimeter, standard (scale in inches of mercury to 20,000 feet)	1	
	550 491		INSTRUMENT - Altimeter, sensitive (scale in millibars to 20,000 feet)	1	
	550 489		INSTRUMENT - Altimeter, sensitive (scale in inches of mercury to 35,000 feet)	1	
	550 488		INSTRUMENT - Altimeter, sensitive (scale in millibars to 35,000 feet)	1	
	548 330		INSTRUMENT - Altimeter, sensitive (scale in inches of mercury and millibars to 20,000 feet)	1	
	548 331		INSTRUMENT - Altimeter, sensitive (scale in inches of mercury and millibars to 35,000 feet)	1	
	548 039		INSTRUMENT - Altimeter, encoding (scale in inches of mercury to 35,000 feet)	1	
	548 040		INSTRUMENT - Altimeter, encoding (scale in millibars to 35,000 feet)	1	
	548 407		INSTRUMENT - Altimeter, encoding (scale in inches of mercury and millibars to 35,000 feet)	1	
-4	550 483	E	INSTRUMENT - Turn and bank (1234T100-5) electric	1	
	548 190	E	INSTRUMENT - Turn coordinator (1394T100) electric	1	
	548 517	E,H	INSTRUMENT - Turn coordinator (PS50030-13-2) (with internal lighting)	1	28-8011099 and up
-5	99003-03	F	INSTRUMENT - Directional gyro (Edo-Aire 4000B-9)	1	
	99003-07	F	INSTRUMENT - Directional gyro (Aeritalia S.P.A. 31101P)	1	
-6	99010-05		INSTRUMENT - Rate of climb	1	
-7	67462-06		COMPASS ASSEMBLY	1	
-8	79650-02		* HOLDER - Compass card	1	
-9	36660-02		INDICATOR - Engine hour meter	1	
-10	766 239		CLUSTER ASSEMBLY - Instrument, left	1	
	06205-05		CASE ASSEMBLY - Instrument cluster, left	1	
-11	763 063	P	* INSTRUMENT - Ammeter, (ES-440485)	1	
-12	79367-00		* INSTRUMENT - Oil temperature	1	
-13	38226-00		* INSTRUMENT - Oil pressure	1	
	86687-02		BULB - (RC 3080-38) temperature sender pack (553 673)	1	
-14	79376-00		* COVER - Instrument cluster	1	
-15	79381-00		* LENS - Cluster assembly	1	
-16	550 548		GAUGE - Cylinder head temperature	1	
-17	766 239		CLUSTER ASSEMBLY - Instruments, right	1	28-7911001 thru 28-8311025
	86552-14		CLUSTER ASSEMBLY - Instruments, right	1	28-8411001 and up
	06205-03		CASE ASSEMBLY - Instrument cluster, right	1	
-18	79370-00		* INSTRUMENT - Fuel pressure	1	28-7911001 thru 28-8311025
	87391-02		* INSTRUMENT - Fuel pressure	1	28-8411001 and up
-19	79376-00		* COVER - Instrument cluster	2	28-7911001 thru 28-8311025
	87368-02		* GAUGE - Dummy	2	28-8411001 and up
-20	79381-00		* LENS - Cluster assembly	1	
-21	38224-03		* INSTRUMENT - Fuel gauge, left and right	2	28-8411001 and up
-22	38224-03		INSTRUMENT - Fuel gauge, left and right	2	28-7911001 thru 28-8311025
-23	472 969		LIGHTER - Cigar (208634)	1	
-24	453 687		PLUG BUTTON - (SS48189)	1	
-25	99479-03		INDICATOR - Outside air temperature	1	
-26	79314-00		SPACER - Air temperature indicator, inner	1	
	79314-02		SPACER - Air temperature indicator, outer	1	

When ordering, always specify Part Number, Description, and Serial Number of Aircraft

Reissued: June 1, 1990

PIPER AIRCRAFT PA-28-236 DAKOTA AIRPLANE PARTS CATALOG

Figure and Index Number	Part Number	Code	Nomenclature	No. Req.	Serial Numbers Affected
37-27	459 849		EXTINGUISHER - Fire (HA1014-01)	1	28-7911004 and up
-28	37872-03		BRACE - Fire extinguisher support	1	28-7911004 and up
-29	37872-04		BRACE - Fire extinguisher support	1	28-7911004 and up
-30	37872-05		BRACKET ASSEMBLY - Fire extinguisher	1	28-7911004 and up
-31	37872-07		BRACKET ASSEMBLY - Fire extinguisher	1	28-7911004 and up
-32	35680-26		BRACKET ASSEMBLY - Fire extinguisher	1	28-7911004 and up
-33	35680-11		TAB ASSEMBLY - Fire extinguisher	1	28-7911004 and up
-34	35680-12		BRACKET ASSEMBLY - Fire extinguisher	1	28-7911004 and up
-35	35680-22		BRACKET ASSEMBLY - Fire extinguisher	1	28-7911004 and up
-36	87379-05		INSTRUMENT - Tachometer	1	
-37	757 310		PROBE ASSEMBLY - EGT gauge (Alcor)	1	
-38	756 616		WIRE ASSEMBLY - EGT gauge (Alcor)	1	
-39	79044-06	A	COVER - Instrument panel, upper left	1	28-7911001 thru 28-7911178
	36567-02	K	COVER - Instrument panel, upper left	1	
	36567-03	A	COVER - Instrument panel, upper left	1	28-7911179 and up
	36567-05	A,J	COVER - Instrument panel, upper left	1	28-8111019 and up
	39877-02	A,M	COVER - Instrument panel, upper left	1	28-8311001 and up
-40	99959-05	A	COVER ASSEMBLY - Instrument panel, upper right	1	
	99959-12	A,G	COVER ASSEMBLY - Instrument panel, upper right	1	28-8011091 and up
-41	99952-00		SHIELD ASSEMBLY - Glare	1	
-42	76205-00	B	CHANNEL ASSEMBLY - Shin guard, left	1	28-7911001 thru 28-8111055
	76205-05	B	CHANNEL ASSEMBLY - Shin guard, left	1	28-8111056 and up
	99950-00	B	CHANNEL ASSEMBLY - Shin guard, right	1	
-42a	461 629	L	* FUSE - Spare (311005)	2	
-43	66918-16	A	COVER ASSEMBLY - Instrument panel, lower left	1	28-7911001 thru 28-8111018
	66918-20	A	COVER ASSEMBLY - Instrument panel, lower left	1	28-8111019 and up
	79527-02	A	COVER ASSEMBLY - Instrument panel, lower right	1	
-44	67228-09	A	COVER ASSEMBLY - Instrument panel, upper left	1	
	67229-06		COVER ASSEMBLY - Instrument panel, upper right	1	
	99513-05	C	COVER ASSEMBLY - Instrument panel, upper right	1	
	76311-03	D	COVER ASSEMBLY - Instrument panel, upper right	1	
-45	99059-06	A	COVER ASSEMBLY - Radio opening (6.56 x 2.90)	1	
-46	99060-06	A	COVER ASSEMBLY - Radio opening (6.56 x 3.25)	1	
-47	99061-06	A	COVER ASSEMBLY - Radio opening (6.56 x 3.56)	2	
-48	99062-06	A	COVER ASSEMBLY - Radio opening (6.50 x 1.78)	1	
-49	35669-28		PLACARD - Heater and defrost (lift thru actuate)	1	
-50	79112-02		PLACARD - Climate control center	1	
-51	69669-16		PLACARD - Circuit protector, lower	1	
-52	35669-77		PLACARD - Circuit protector, upper	1	
-53	35669-33		PLACARD - Landing checklist	1	28-7911001 thru 28-7911395
-54	35669-35		PLACARD - Take-off checklist	1	28-7911001 thru 28-7911395
-55	69669-39		PLACARD - Annunciator, press thru test	1	
-56	67428-00		PLACARD - Maneuvering limitations	1	28-7911001 thru 28-7911395
-57	35669-91		PLACARD - Maneuvering speed	1	28-7911001 thru 28-7911395
	35669-144		PLACARD - Maneuvering speed	1	28-8011001 and up
-58	69669-176		PLACARD - Fuel	1	28-7911001 thru 28-7911395
-59	76222-00		PLACARD - Crosswind component	1	28-7911001 thru 28-7911395
-60	99921-00		PLACARD - Air conditioning door light	1	
-61	99480-00		GAUGE - Suction	1	
-62	69544-00		PLACARD - Carburetor heat	1	
-63	79125-00		CAP - Trim, left	1	
	79125-01		CAP - Trim, right	1	
-64	79600-00		HOUSING ASSEMBLY - Compass	1	
-65	79404-00		COVER - Radio cooling trim	1	
-66	548 273		INSTRUMENT - Airspeed indicator, knots (PS50049-48S-2)	1	
	548 274		INSTRUMENT - True airspeed, knots (PS50049-48T-2)	1	
-67	550 496		INSTRUMENT - Manifold pressure and fuel flow gauge PS50031-3-2)	1	

When ordering, always specify Part Number, Description, and Serial Number of Aircraft

**PIPER AIRCRAFT
PA-28-236 DAKOTA
AIRPLANE PARTS CATALOG**

Figure and Index Number	Part Number	Code	Nomenclature	No. Req.	Serial Numbers Affected
37-68	751 912		GAUGE - Mixture control indicator (Alcor)	1	
-69	69169-00		PLATE - EGT	1	
-70	69080-00		COVER - EGT	1	
-71	67431-04		PLATE - Instrument panel	3	
-72	67431-00		PLATE - Instrument panel	7	
-73	35669-38		PLACARD - Vent fan	1	
-74	35669-125		PLACARD - Radio power, ON-OFF	1	28-8011001 and up
-75	35669-130		PLACARD - Emergency bus switch	1	28-8011001 and up
-76	87369-27		PLACARD - Caution	1	28-7911326 and up
-77	35669-184	G	PLACARD - Carburetor ice detector	1	28-8011091 and up
-78	35669-185	G	PLACARD - Sensitivity	1	28-8011091 and up
-79	87451-03		HOLDER - Crew cup	2	28-8311001 and up
-80	99214-00		PLATE - Support	AR	
-81	87777-02	N	SWITCH ASSEMBLY - Electric Vacuum Pump	1	8611001 thru 8611008, and 2811001 and up
-82	765 014	N	INDICATOR - Elapsed Time (F7-97-1)	1	

When ordering, always specify Part Number, Description, and Serial Number of Aircraft

PIPER AIRCRAFT
PA-28-236 DAKOTA
AIRPLANE PARTS CATALOG

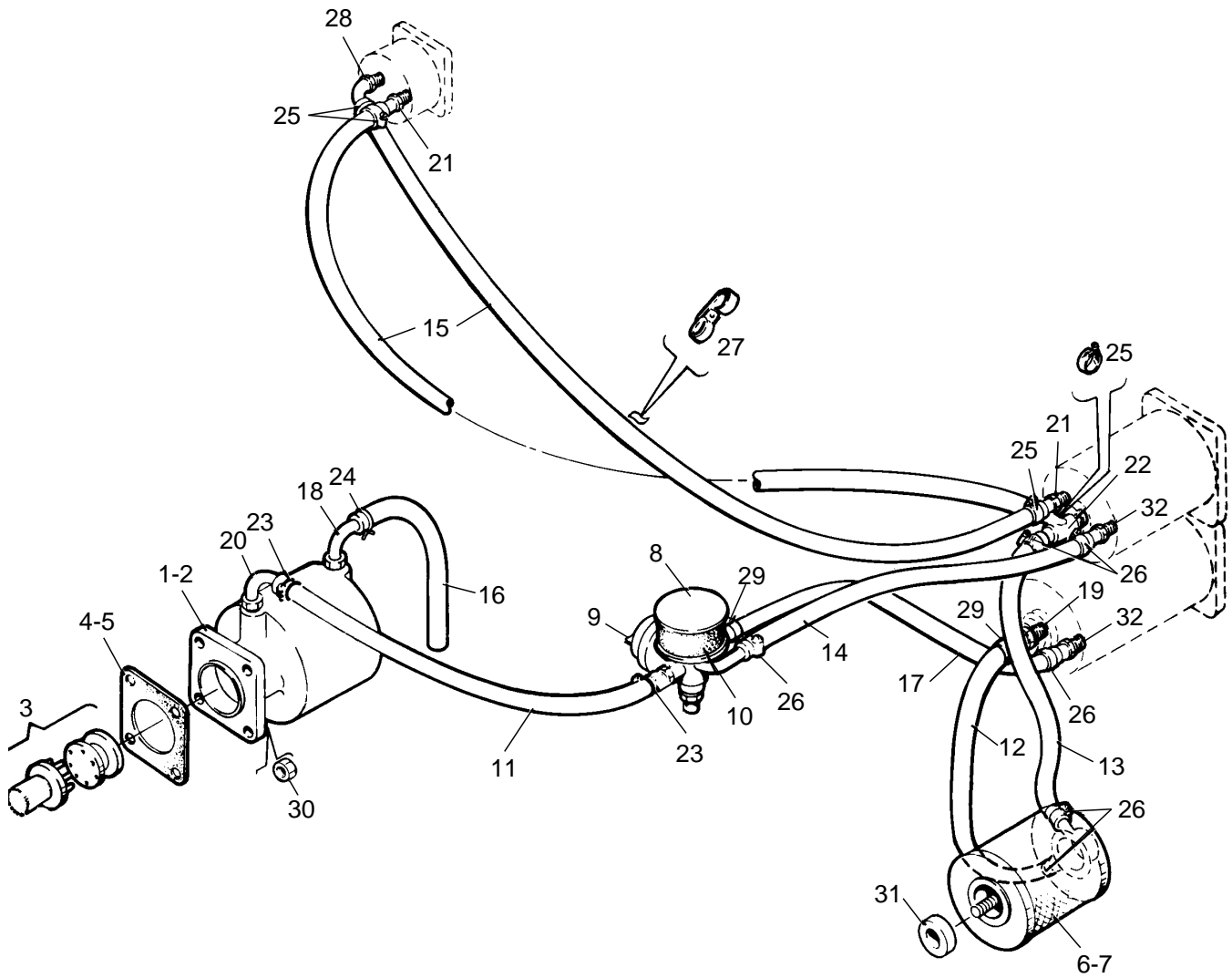


Figure 38. Vacuum System Installation

**PIPER AIRCRAFT
PA-28-236 DAKOTA
AIRPLANE PARTS CATALOG**

CODE EXPLANATIONS FOR FIGURE 38

- A - Used with Vacuum Pump P/N 26749-07 (Airborne 211CC) only.
- B - Used with Vacuum Pump P/N 36535-02 (Edo-Aire 1U128-200) only.
- C - See Figure 70D if King KAP 100/150 AutoPilot is installed.

PIPER AIRCRAFT PA-28-236 DAKOTA AIRPLANE PARTS CATALOG

Figure and Index Number	Part Number	Code	Nomenclature	No. Req.	Serial Numbers Affected
38-	69272		DRAWING - Vacuum System Installation		
-1	754 575		KIT - Vacuum pump drive (79005)	1	
-2	26749-07		PUMP - Dry vacuum (Airborne 211CC)	1	
	36535-02		PUMP - Dry vacuum (Edo-Aire 1U128-200)	1	
-3	753 910	A	* COUPLING ASSEMBLY KIT - Vacuum pump drive (No. 350)	1	
-4	751 859	A	** GASKET - Vacuum pump mounting (B3-1-2)	1	
-5	462 023	B	* GASKET - Vacuum pump mounting (AN4045-1)	1	
-6	460 888		FILTER ASSEMBLY - Air (66673-00)	1	
-7	757 899		* CARTRIDGE - Air filter (D9-18-1)	1	
-8	492 240		VALVE - Suction regulating (2H3-19)	1	
-9	757 790		* SWITCH - (F7-16-1)	1	
-10	751 815		* FILTER - Regulating (B3-5-1)	1	
-11	63913-28		HOSE - Regulating valve to vacuum pump	1	
-12	63913-07	C	HOSE - Directional gyro to air filter	1	
-13	63913-44		HOSE - Gyro horizon to air filter	1	
-14	63913-47	C	HOSE - Gyro horizon to regulating valve	1	
-15	63913-49	C	HOSE - Gyro horizon to suction gauge	2	
-16	63904-29	A	HOSE - Vacuum pump exhaust	1	
	63913-64	B	HOSE - Vacuum pump exhaust	1	
-17	63913-07		HOSE - Directional gyro to regulating valve	1	
-18	558 900	A	ELBOW - (1K8-6-8)	1	
	458 958	B	ELBOW - (1K1-6-10)	1	
-19	558 912		ELBOW - (1K9-4-6)	1	
-20	458 958		FITTING - (1K1-6-10)	1	
-21	451 881	C	FITTING - (1K10-2-4)	2	
-22	460 836		FITTING - (1K31-4-6-4)	1	
-23	554 659		CLAMP - (SAE TY F-8)	2	
-24	554 985	A	CLAMP - (SAE TY E-11)	1	
	554 808	B	CLAMP - (SAE TY E-13)	1	
-25	554 861		CLAMP - (SAE TY F-4)	4	
-26	554 888		CLAMP - (SAE TY F-6)	6	
-27	554 958	C	CLAMP - (PS10017-8-8)	2	
-28	458 948		ELBOW - (1K1-2-4)	1	
-29	554 598	C	CLAMP - (NAS 397-12)	2	
-30	477 850		NUT - (MS27151-12)	4	
-31	63900-145		SPACER - Air filter	1	
-32	451 939	C	ADAPTER - (1K10-4-6)	2	

When ordering, always specify Part Number, Description, and Serial Number of Aircraft

PIPER AIRCRAFT
PA-28-236 DAKOTA
AIRPLANE PARTS CATALOG

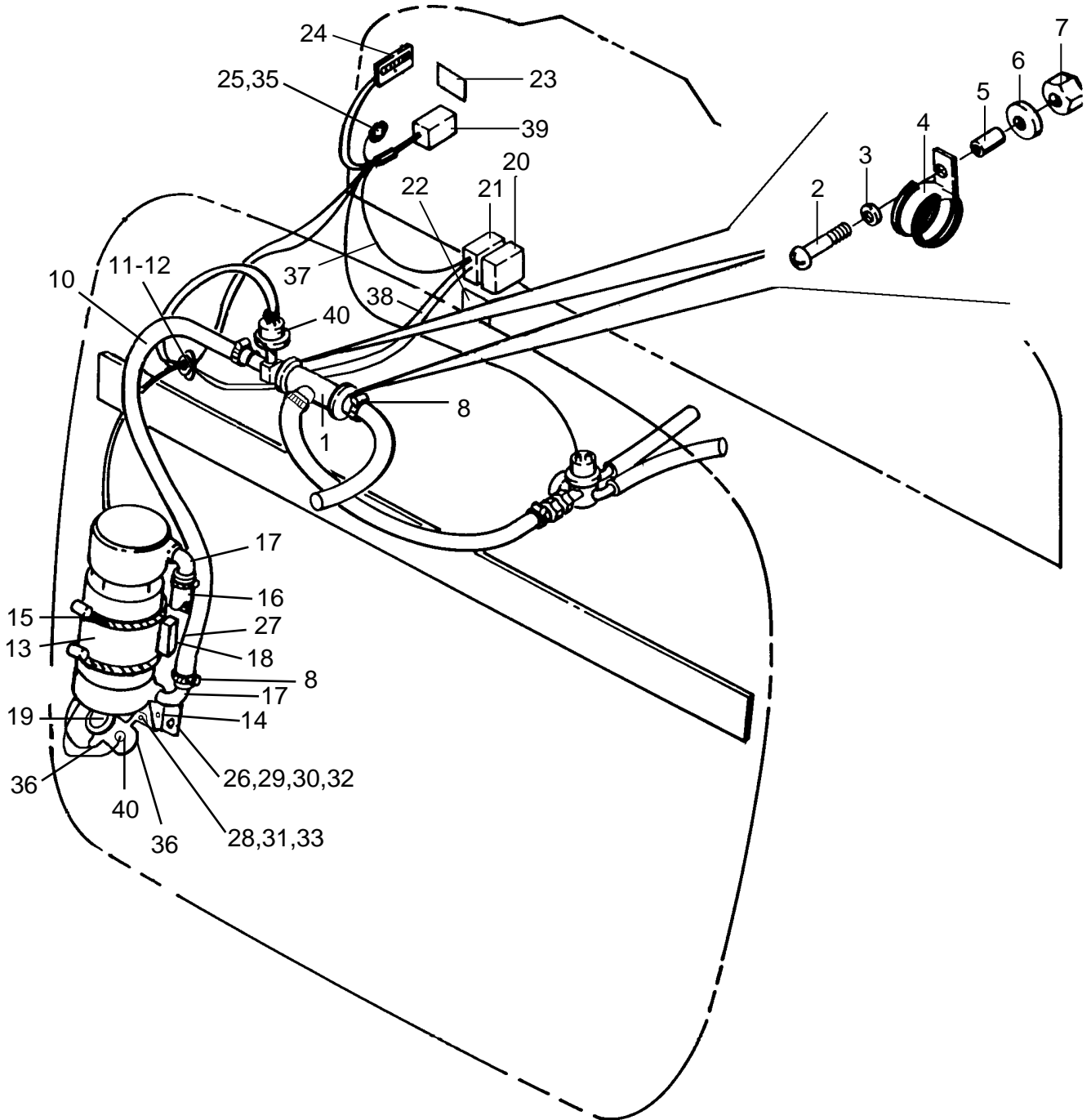


Figure 38A. Auxiliary Vacuum Pump System

Reissued: June 1, 1990

**PIPER AIRCRAFT
PA-34-200 SENECA
AIRPLANE PARTS CATALOG**

CODE EXPLANATIONS FOR FIGURE 38A.

PIPER AIRCRAFT PA-28-236 DAKOTA AIRPLANE PARTS CATALOG

Figure and Index Number	Part Number	Code	Nomenclature	No. Req.	Serial Numbers Affected
38A-	87775		DRAWING - Auxiliary Vacuum Pump Installation		
-1	761 814		MANIFOLD ASSEMBLY - Vacuum (1-H5-21)	1	
-2	411 536		SCREW - (MS 35207-267)	2	
-3	407 584		WASHER - (AN960-10L)	2	
-4	454 977		CLAMP - (PS 10017-2-16)	2	
-5	82695-24		SPACER	2	
-6	407 800		WASHER - (AN 970-3)	2	
-7	407 887		NUT - (MS 20364-1032C)	2	
-8	554 659		CLAMP - Hose (SAE-TY-F8)	5	
-9	84013-84		HOSE	2	
-10	84013-85		HOSE	1	
-11	68770-08		GROMMET	2	
-12	68771-10		GASKET	1	
-13	765 551		VACUUM PUMP AUXILIARY - (4A3-1)	1	
-14	87770-02		BRACKET ASSEMBLY	1	
-15	654 186		CLAMP - (PS 10017-23-52)	2	
-16	84013-81		HOSE	1	
-17	458 958		ELBOW - (1-K1-6-10)	2	
-18	754 895		FILTER ASSEMBLY - (F7-84-1)	1	
-19	762 669		RELAY - (F7-64-2)	1	
-20	454 706		CIRCUIT BREAKER (PS 50120-1-2) or (PS50120-3-8)	1	
	454 668		CIRCUIT BREAKER (PS 50120-1-2) or (PS50120-3-8)	1	
-21	454 709		CIRCUIT BREAKER (PS 50120-1-9) or (PS50120-3-36)	1	
	454 743		CIRCUIT BREAKER (PS 50120-1-9) or (PS50120-3-36)	1	
-22	87369-60		PLACARD	1	
-23	757 790		PLACARD - (B4-203-1)	1	
-24	464 531		ETI ASSEMBLY - (F7-97-1)	1	
-25	411 530		SCREW - (MS 35207-261)	1	
-26	415 520		SCREW - (MS 35206-230)	1	
-27	415 332		SCREW - (MS 27039-1-22)	1	
-28	404 888		NUT - (20365-428C)	2	
-29	404 829		NUT - (20364-632C)	1	
-30	407 130		WASHER - (AN 936-B6)	1	
-31	407 565		WASHER - (AN 960-416)	2	
-32	407 562		WASHER - (AN 960-6)	1	
-33	401 307		BOLT - (AN 4-4A)	2	
-34	581 312		PLUG - (AN 913-1D)	1	
-35	407 128		WASHER - (AN 936-B10)	1	
-36	23969-03		NIPPLE	4	
-37	87777-19		WIRE ASSEMBLY	1	
-38	87777-13		WIRE ASSEMBLY	1	
-39	87777-02		SWITCH ASSEMBLY	1	
-40	23969-02		NIPPLE	4	

When ordering, always specify Part Number, Description, and Serial Number of Aircraft

**PIPER AIRCRAFT
PA-28-236 DAKOTA
AIRPLANE PARTS CATALOG**

CODE EXPLANATIONS FOR FIGURE 39

- A - Used if heated pitot head is installed.
- B - Used if encoding altimeter is installed.
- C - Used if rate of climb instrument is installed.
- D - See Figure 72 if narco encoder is installed.
- E - When ordering specify color "bark II" or black.
- F - Used if Alternate Static System is installed.

PIPER AIRCRAFT PA-28-236 DAKOTA AIRPLANE PARTS CATALOG

Figure and Index Number	Part Number	Code	Nomenclature	No. Req.	Serial Numbers Affected
39-	35493		DRAWING - Pitot Static System Installation		
-1	96393-02		HEAD ASSEMBLY - Pitot (unheated)	1	
	96392-03		HEAD ASSEMBLY - Pitot (heated)	1	28-7911001 to 28-8211015 incl.
	96392-06		HEAD ASSEMBLY - Pitot (heated)	1	28-8211016 and up
-2	556 105		* CONNECTOR - (1068 x 4)	1	
-3	63913-34		* HOSE - Pitot air	1	
-4	554 861		* CLAMP - (SAE TY F-4)	1	
	488 722		* TIE - Cable (MS 3367-4-9)	1	28-8211016 and up.
-5	78039-00		FITTING ASSEMBLY - Static line vent	2	
-6	96143-00		VALVE ASSEMBLY - Static air vent	1	
-7	492 100		* VALVE - (CCA-7450)	1	
-8	458 893		* ELBOW - (AN822-3D)	1	
-9	37994-03		SUMP ASSEMBLY - Pitot static	1	
-10	492 241		* VALVE - (PS50036-2-2)	2	
-11	488 310		* TEE - (AN826-3D)	2	
-12	455 173		* COUPLING - (AN910-1D)	2	
-13	35696-02		* ELBOW	2	
-14	35507-02	E	COVER ASSEMBLY - Pitot static drain	1	
-15	69669-115		* PLACARD - Pitot drain	1	
-16	69042-02		GASKET - Pitot head	1	
	69042-00	A	GASKET - Pitot head	1	
-17	63913-106		HOSE - Pitot pressure	1	
-18	63207-00		TUBE - Pitot	1	
-19	67700-300		TUBE ASSEMBLY - Pitot pressure	1	
-20	67700-301		TUBE ASSEMBLY - Static air	1	
-21	67700-185		TUBE ASSEMBLY - Pitot pressure	1	
-22	67700-186		TUBE ASSEMBLY - Static air	1	
-23	67700-65		TUBE ASSEMBLY - Static air	1	
-24	67700-66		TUBE ASSEMBLY - Static air	1	
-25	67700-67		TUBE ASSEMBLY - Static air	1	
-26	67700-172		TUBE ASSEMBLY - Static air	1	
-27	67700-143		TUBE ASSEMBLY - Static air	1	
-28	67700-144		TUBE ASSEMBLY - Static air	1	
-29	67700-145		TUBE ASSEMBLY - Static air	1	
-30	67700-146		TUBE ASSEMBLY - Static air	1	
-31	67700-147		TUBE ASSEMBLY - Static air	1	
-32	95153-101		TUBE ASSEMBLY - Static air	1	
	95153-158	B	TUBE ASSEMBLY - Static air	1	
-33	78113-00		CLIP ASSEMBLY - Alternate static source	1	
-34	458 879		ELBOW - (AN821-3D)	1	
-35	458 893		ELBOW - (AN822-3D)	1	
-36	458 909		ELBOW - (AN837-3D)	1	
	477 617		NUT - (AN924-3D)	1	
	407 567		WASHER - (AN960-616)	1	
-37	458 888		ELBOW - (MS20823-3D)	2	
-38	488 315		TEE - (AN824-3D)	2	
-39	491 059	D	UNION - (AN832-3D)	1	
	488 315	D	TEE (AN824-3D)	1	
-40	491 059		UNION - (AN832-3D)	1	
	488 380	C	TEE - (AN825-3D)	1	
-41	491 049		UNION - (AN815-3D)	1	
-42	63900-25		BUSHING - Clamp	1	
-43	63900-85		BUSHING - Clamp	1	

When ordering, always specify Part Number, Description, and Serial Number of Aircraft

PIPER AIRCRAFT
PA-28-236 DAKOTA
AIRPLANE PARTS CATALOG

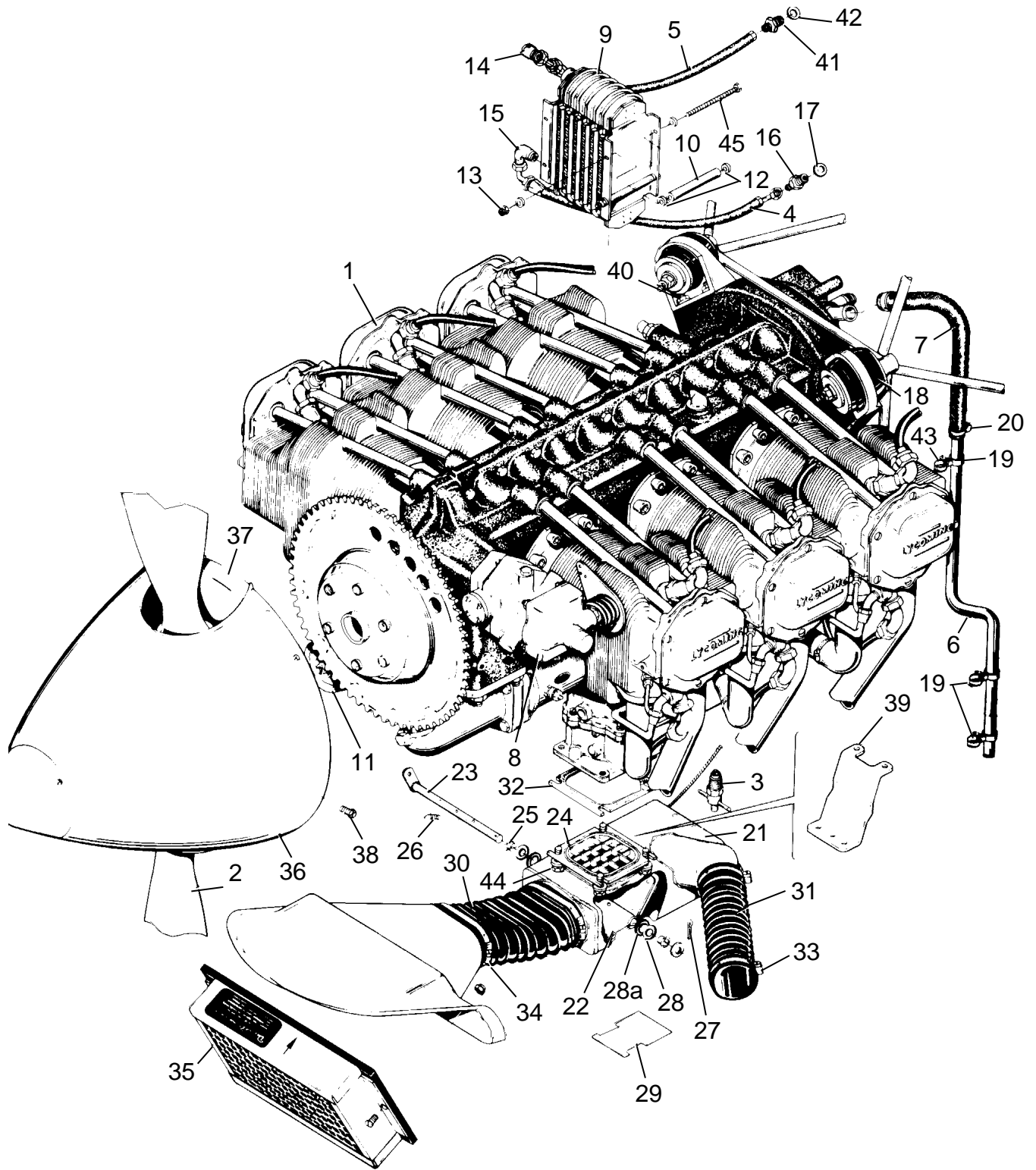


Figure 40. Power Plant Installation

Reissued: June 1, 1990

**PIPER AIRCRAFT
PA-28-236 DAKOTA
AIRPLANE PARTS CATALOG**

CODE EXPLANATIONS FOR FIGURE 40

- A - Secure from Lycoming Division-Avco Corp., Williamsport, Penna.
- B - See Figure 45 for component parts.
- C - See Figure 67 for component parts if a Chrysler alternator is installed. See Figure 59 and 68 if a Prestolite alternator is installed.
- D - Ascertain size of air filter before ordering. If air filter measures 4 1/2 W x 9 L x 2 1/8 T, order part number for serial numbers 28-7911283 and up.

PIPER AIRCRAFT PA-28-236 DAKOTA AIRPLANE PARTS CATALOG

Figure and Index Number	Part Number	Code	Nomenclature	No. Req.	Serial Numbers Affected
40-	35902		DRAWING - Power Plant Installation		
	35908		DRAWING - Air Induction System Installation		
-1		A	ENGINE - Lycoming (O-540-J3A5D)	1	
-2	550 984	B	PROPELLER ASSEMBLY - Hartzel I(HC-F2YR-1()F/F8468A-4R)	1	
-3	61879-02		VALVE ASSEMBLY - Oil drain	1	
-4	35801-06		HOSE ASSEMBLY - Oil radiator inlet to engine	1	
-5	35801-07		HOSE ASSEMBLY - Oil radiator outlet to engine	1	
-6	35927-02		TUBE - Engine breather	1	
	35927-04		FIRE SHIELD - (187 164) (R 20300-1.25)	1	
-7	63913-130		HOSE - breather tube	1	
-8	66634-13		GOVERNOR ASSEMBLY	1	
-9	16599-00		OIL RADIATOR - Cooler	1	
-10	86062-94		BUSHING - Oil radiator	4	
-11		C	ALTERNATOR INSTALLATION		
-12	407 564		WASHER - (AN960-10) oil cooler	8	
	407 584		WASHER - (AN960-10L) oil cooler	8	
-13	404 887		NUT - (MS20365-1032C)	4	
-14	458 886		ELBOW - (AN823-8D) oil cooler	1	
-15	458 898		ELBOW - (AN822-8D) oil cooler	1	
-16	484 140		REDUCER - (AN919-15)	1	
-17	479 402		O-RING - (MS28778-10)	1	
-18	475 115		MOUNTING KIT - Engine (J-9613-12)	4	
-19	554 776		CLAMP - (PS10017-2-22) breather tube	3	
-20	454 803		CLAMP - (SAE TY A-1 3/8)	2	
-21	35928-02		AIR BOX ASSEMBLY - Carburetor	1	
-22	65142-07		* VALVE ASSEMBLY - Air box	1	
-23	65142-09		* SHAFT ASSEMBLY - Air box	1	
-24	65141-12		* VANE ASSEMBLY - Air box	1	
-25	453 991		* BUSHING - (PS10065-23)	2	
-26	415 146		* SCREW - (MS35206-229)	3	
-27	407 566		* WASHER - (AN960-516)	1	
	424 051		* COTTERPIN - (MS24665-132)	1	
-28	434 166		* GROMMET - (MS35489-40)	1	
-28a	189 625		* GROMMET - Caterpillar (MS21266-IN)	1	
-29	36603-02		PLATE - Induction air hose protection	1	28-7911001 thru 28-7911183
-30	99944-06	D	HOSE - Filter to box	1	28-7911001 thru 28-7911282
	99944-07		HOSE - Filter to box	1	28-7911283 and up
-31	99849-17		HOSE - Manifold to box	1	
-32	63684-04		GASKET - Box assembly to carburetor	1	
-33	554 731		CLAMP - (SAE TY F-56)	2	
-34	554 726		CLAMP - (SAE TY F-64)	2	
-35	560 854	D	FILTER - (P13-6602)	1	28-7911001 thru 28-7911282
	560 904		FILTER - (P13-8683)	1	28-7911283 and up
-36	35703-07		SPINNER ASSEMBLY - (587 410) (C-3568-0)	1	28-8611001 and up
	35703-810		SPINNER ASSEMBLY - (50077-75), polished	1	28-7911001 and up
	587 410		SPINNER ASSEMBLY - (35703-07) (C-3568-0)	1	28-8611001 and up
-36	35703-09		*DOME - Spinner (C-3532-13)	1	
-37	35703-08		*BULKHEAD UNIT - (C-3569)	1	
-38	415 379		SCREW - (MS51958-63)	16	
	756 669		WASHER - (A1020)	16	
-39	36584-03		SUPPORT - Carburetor air box	1	28-7911001 and up
-40	401 535		BOLT - Engine to mount (AN7-35A)	4	
	407 568		WASHER - Engine to mount (AN960-716)	8	
	404 891		NUT - Engine to mount (MS20365-720C)	4	

When ordering, always specify Part Number, Description, and Serial Number of Aircraft

**PIPER AIRCRAFT
PA-28-236 DAKOTA
AIRPLANE PARTS CATALOG**

Figure and Index Number	Part Number	Code	Nomenclature	No. Req.	Serial Numbers Affected
40-41	79869-02		REDUCER - Special	1	
-42	479 402		O-RING - (MS28778-10)	1	
-43	454 868		CLAMP - (PS10017-2-12) breather tube	1	
-44	401 918		BOLT - (AN74A-3) Box to carburetor	4	
	407 136		WASHER - (AN936A-416)	4	
-45	400 464		BOLT - (AN3-41A)	4	

When ordering, always specify Part Number, Description, and Serial Number of Aircraft

PIPER AIRCRAFT
PA-28-236 DAKOTA
AIRPLANE PARTS CATALOG

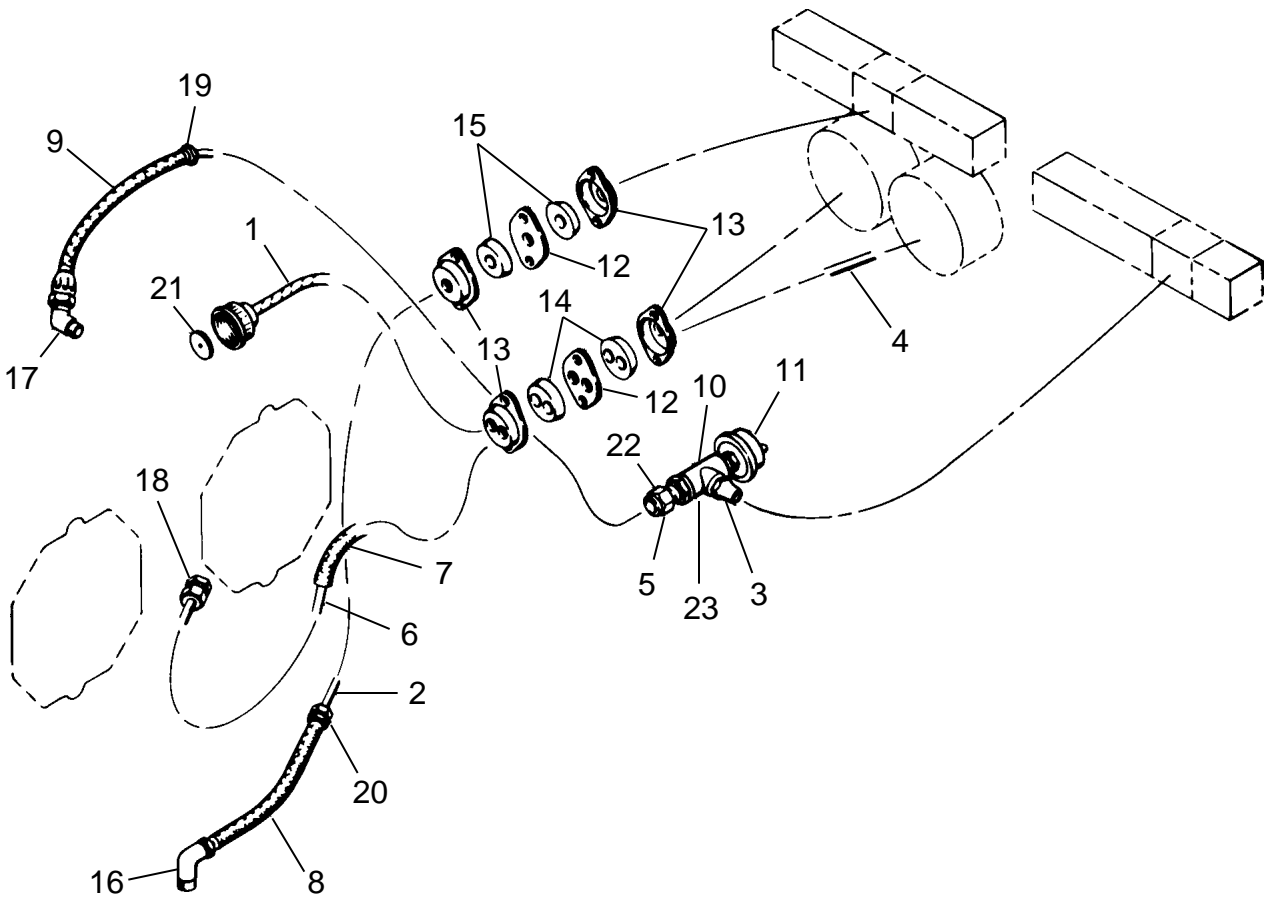


Figure 41. Engine Instrument Lines Installation

Reissued: June 1, 1990

**PIPER AIRCRAFT
PA-28-236 DAKOTA
AIRPLANE PARTS CATALOG**

CODE EXPLANATIONS FOR FIGURE 41

PIPER AIRCRAFT PA-28-236 DAKOTA AIRPLANE PARTS CATALOG

Figure and Index Number	Part Number	Code	Nomenclature	No. Req.	Serial Numbers Affected
41-	35909		DRAWING - Engine Instrument Lines Installation		
-1	486 594		SHAFT - Tachometer (PS50044-6)	1	
-2	67700-36		TUBE ASSEMBLY - Fuel pressure line	1	
-3	67700-87		TUBE ASSEMBLY - Oil pressure line	1	
-4	67700-41		TUBE ASSEMBLY - Manifold pressure line	1	
-5	67700-90		TUBE ASSEMBLY - Oil pressure	1	
-6	65438-03		TUBE ASSEMBLY - Manifold pressure	1	
-7	63913-69		HOSE ASSEMBLY - Manifold pressure	1	
-8	63901-44		HOSE ASSEMBLY - Fuel flow pressure	1	
-9	63901-52		HOSE ASSEMBLY - Oil pressure	1	
-10	79038-00		TEE - Bulkhead fitting	1	
-11	587 961		SWITCH - Pressure (M-4011-35)	1	
-12	22105-10		GASKET - Firewall seal	1	
-13	66789-00		PLATE - Firewall	4	
-14	68770-06		GROMMET - Firewall	2	
-15	68770-18		GROMMET - Firewall	2	
-16	69504-00		ELBOW - Fuel pressure hose	1	
-17	68778-00		ELBOW - Oil pressure hose	1	
-18	460 685		CONNECTOR - Line to manifold (200 x 4)	1	
-19	491 050		UNION - (AN815-4)	1	
-20	484 307		REDUCER - (AN919-2)	1	
-21	85012-04		WASHER - Tachometer cable to engine	1	
-22	477 629		NUT - (AN924-4)	1	
	407 591		WASHER - (AN960-716L)	1	

When ordering, always specify Part Number, Description, and Serial Number of Aircraft

PIPER AIRCRAFT
PA-28-236 DAKOTA
AIRPLANE PARTS CATALOG

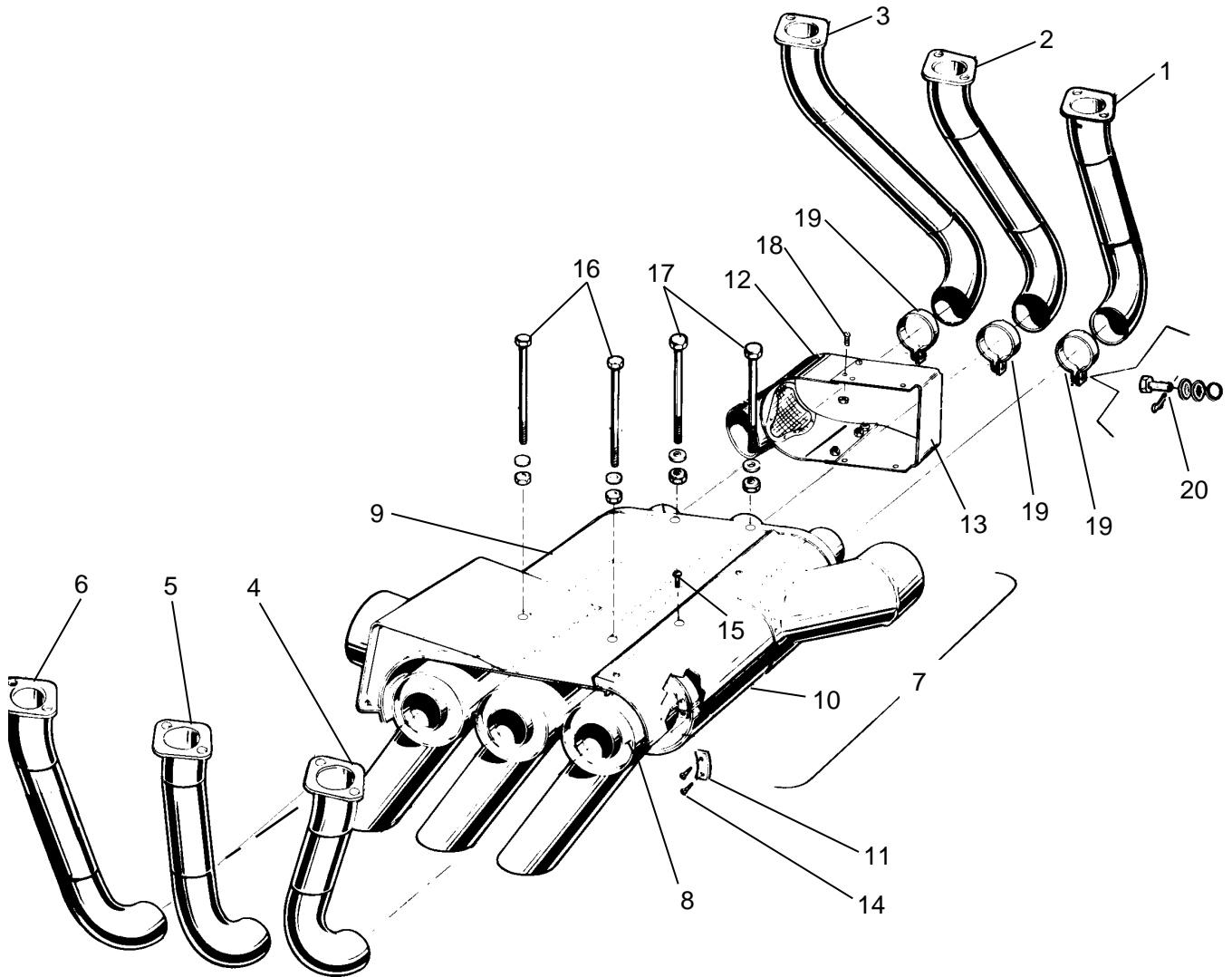


Figure 42. Engine Exhaust System Installation

Reissued: June 1, 1990

**PIPER AIRCRAFT
PA-28-236 DAKOTA
AIRPLANE PARTS CATALOG**

CODE EXPLANATIONS FOR FIGURE 42

PIPER AIRCRAFT PA-28-236 DAKOTA AIRPLANE PARTS CATALOG

Figure and Index Number	Part Number	Code	Nomenclature	No. Req.	Serial Numbers Affected
42-	35904		DRAWING - Exhaust System Installation		
-1	35904-03		STACK ASSEMBLY - Left front	1	
-2	35904-04		STACK ASSEMBLY - Left center	1	
-3	35904-05		STACK ASSEMBLY - Left rear	1	
-4	35904-06		STACK ASSEMBLY - Right front	1	
-5	35904-07		STACK ASSEMBLY - Right center	1	
-6	35904-08		STACK ASSEMBLY - Right rear	1	
-7	38146-03		MUFFLER ASSEMBLY - Complete	1	
-8	67517-00		* MUFFLER ASSEMBLY	3	
-9	38159-03		* SHROUD ASSEMBLY - Muffler , top	1	
-10	38162-07		* SHROUD ASSEMBLY - Muffler, bottom	1	
-11	67652-00		* TAB - Muffler	4	
-12	35934-02		* SHROUD ASSEMBLY - Heat	1	
-13	35939-02		* BAFFLE ASSEMBLY - Heat shroud	1	
-14	419 932		* SCREW - (4 x 1/2 Type A)	8	
-15	415 493		* SCREW - (MS35206-228)	7	
-16	400 466		* BOLT - (AN3-43A)	2	
	407 584		* WASHER - (AN960-10L)	4	
	404 835		* NUT - (MS20364-1032C)	2	
-17	400 468		* BOLT - (AN3-45A)	2	
	407 584		* WASHER - (AN960-10L)	4	
	404 835		* NUT - (MS20364-1032C)	2	
-18	415 554		* SCREW - (MS35206-244) Baffle	4	
-19	63243-02		CLAMP - Exhaust stack	3	
-20	400 103		BOLT - (AN4-6)	3	
	407 565		WASHER - (AN960-416)	6	
	404 101		NUT - (AN310-4)	3	
	424 051		COTTERPIN - (MS24665-132)	3	

When ordering, always specify Part Number, Description, and Serial Number of Aircraft

PIPER AIRCRAFT
PA-28-236 DAKOTA
AIRPLANE PARTS CATALOG

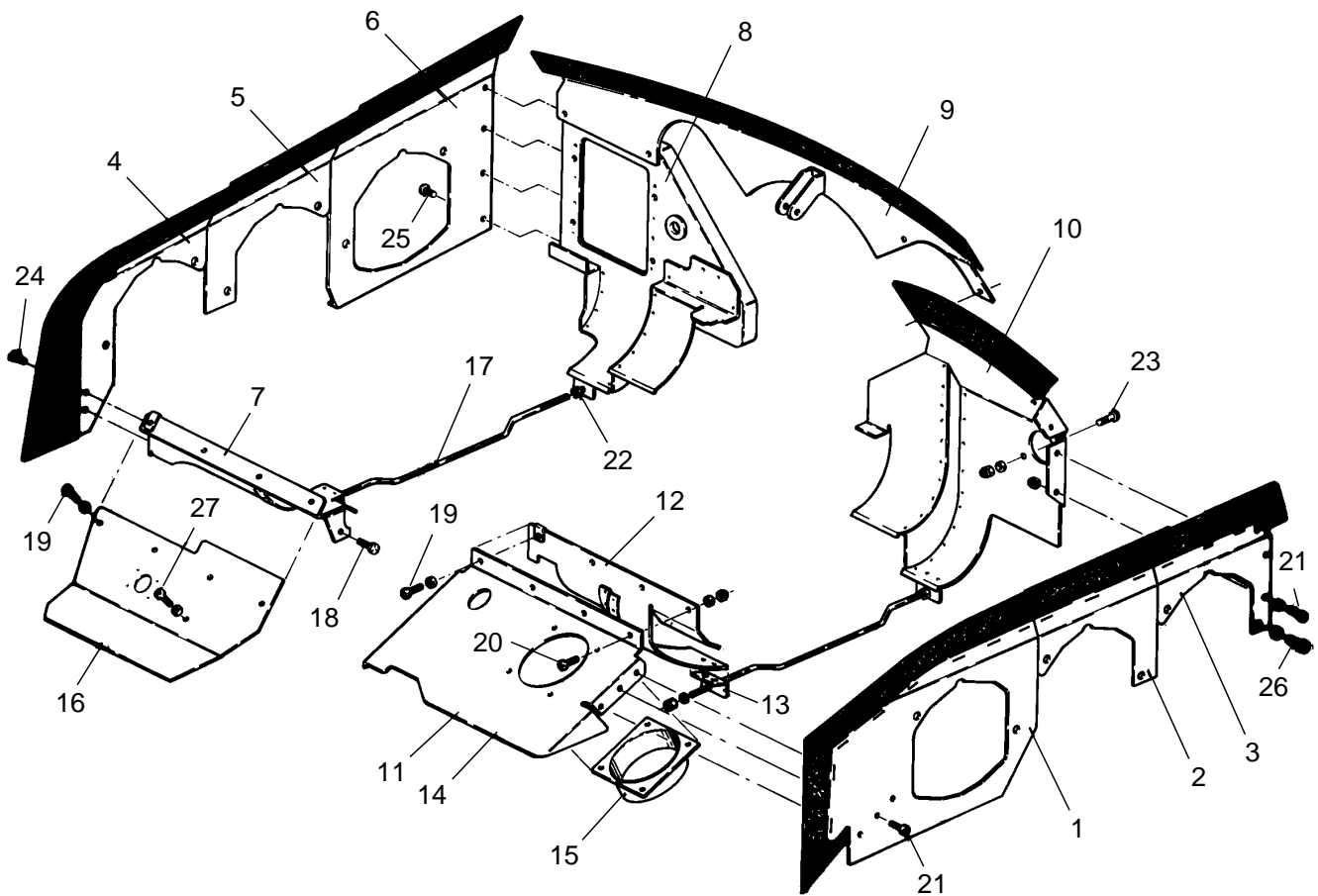


Figure 43. Engine Baffle Installation

Reissued: June 1, 1990

**PIPER AIRCRAFT
PA-28-236 DAKOTA
AIRPLANE PARTS CATALOG**

CODE EXPLANATIONS FOR FIGURE 43

A - Used if air conditioning is installed.

PIPER AIRCRAFT PA-28-236 DAKOTA AIRPLANE PARTS CATALOG

Figure and Index Number	Part Number	Code	Nomenclature	No. Req.	Serial Numbers Affected
43-	35911		DRAWING - Engine Baffle Installation		
-1	65102-03		BAFFLE ASSEMBLY - Left side, front	1	
-2	65101-02		BAFFLE ASSEMBLY - Left side, center	1	
-3	65100-02		BAFFLE ASSEMBLY - Left side, rear	1	
-4	65099-03		BAFFLE ASSEMBLY - Right side, front	1	
-5	65098-02		BAFFLE ASSEMBLY - Right side, center	1	
-6	65097-02		BAFFLE ASSEMBLY - Right side, rear	1	
-7	99577-02		BAFFLE ASSEMBLY - Engine, right front	1	
-8	35945-02		BAFFLE ASSEMBLY - Engine, right rear	1	
-9	35932-02		BAFFLE ASSEMBLY - Engine, rear center	1	
-10	65030-07		BAFFLE ASSEMBLY - Engine, left rear	1	
-11	35910-02		BAFFLE ASSEMBLY - Engine, left front	1	
-12	68054-04		* BAFFLE - Left front	1	
-13	65032-00		* CLIP - Baffle	1	
-14	35914-02		* FAIRING - Left front baffle	1	
-15	99767-05		* TAKE-OFF ASSEMBLY - Left front baffle	1	
-16	35926-06		FAIRING ASSEMBLY - Right front baffle	1	
	35926-03	A	FAIRING ASSEMBLY - Right front baffle	1	
-17	65103-02		ROD - Baffle tie	2	
-18	418 401		SCREW - Cap (3/8-16NC 3 x 1/2 L)	1	
	407 138		WASHER - (AN936-A616)	1	
	407 567		WASHER - (AN960-616)	1	
-19	415 535		SCREW - (MS35206-245)	7	
	407 563		WASHER - (AN960-8)	7	
	477 672		NUT - (PS10062-5-1)	7	
-20	415 553		SCREW - (MS35206-263)	1	
	407 135		WASHER - (AN936-A10)	1	
	407 564		WASHER - (AN960-10)	1	
-21	415 533		SCREW - (MS35206-243)	6	
	407 583		WASHER - (AN960-8L)	6	
	404 833		NUT - (MS20364-832C)	6	
-22	404 831		NUT - (MS20364-632C)	4	
	405 450		NUT - (MS35649-262)	4	
	407 562		WASHER - (AN960-6)	4	
-23	411 532		SCREW - (MS35207-263)	2	
	407 564		WASHER - (AN960-10)	2	
	404 887		NUT - (MS20365-1032C)	2	
-24	415 544		SCREW - (MS35206-244)	2	
	477 672		NUT - (PS10062-5-1)	2	
-25	411 532		SCREW - (MS35207-263)	4	
	407 564		WASHER - (AN960-10)	4	
	404 835		NUT - (MS20364-1032C)	4	
-26	418 420		SCREW - Cap (1/4-20NC 3 x 1/2 L)	14	
	407 136		WASHER - (AN936-A416)	14	
	407 565		WASHER - (AN960-416)	14	
-27	415 535		SCREW - (MS35206-245)	1	
	407 563		WASHER - (AN960-8)	1	
	404 910		NUT - (MS20365-832C)	1	

When ordering, always specify Part Number, Description, and Serial Number of Aircraft

PIPER AIRCRAFT
PA-28-236 DAKOTA
AIRPLANE PARTS CATALOG

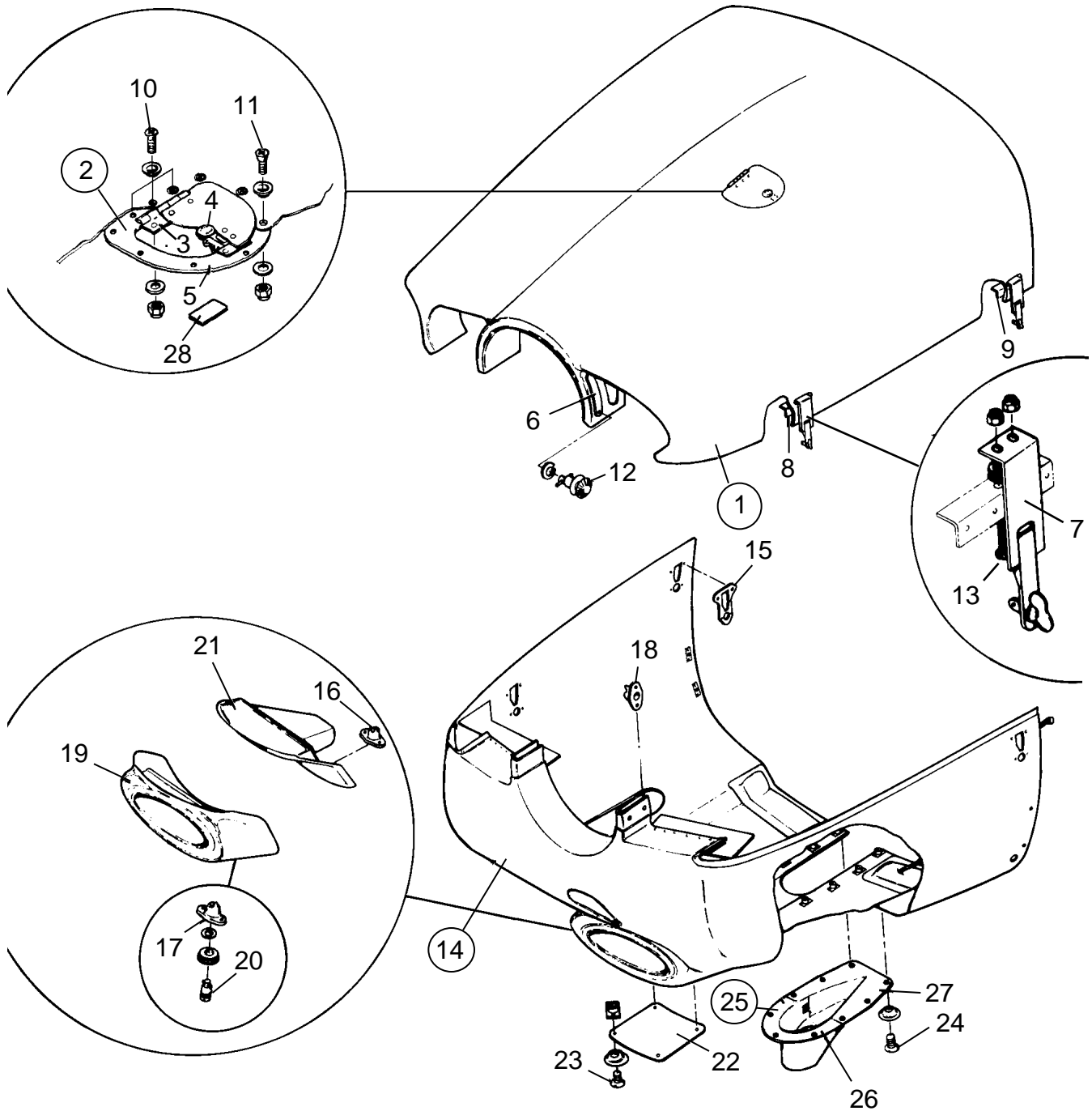


Figure 44. Engine Cowl Installation

**PIPER AIRCRAFT
PA-28-236 DAKOTA
AIRPLANE PARTS CATALOG**

CODE EXPLANATIONS FOR FIGURE 44

- A - Ascertain size of air filter before ordering. If air filter measures 4 1/2 W x 9 L x 2 1/8 T, order part number for serial numbers 28-7911283 and up.

PIPER AIRCRAFT PA-28-236 DAKOTA AIRPLANE PARTS CATALOG

Figure and Index Number	Part Number	Code	Nomenclature	No. Req.	Serial Numbers Affected
44-	35913		DRAWING - Cowl Assembly Installation		
-1	35913-04		COWL ASSEMBLY - Top	1	
-2	99096-00		* DOOR ASSEMBLY - Cowl top, oil filler	1	
-3	65291-03		** HINGE ASSEMBLY - Cowl door, oil filler	1	
-4	472 017		** LATCH - Door, oil filler (KM610-32)	1	
-5	99094-00		* PLATE - Doubler	1	
-6	487 720		* SPRING PLATE - (2600-E2S Camloc)	4	
-7	65202-05		* FASTENER ASSEMBLY	4	
-8	65241-00		* ANGLE - Fastener, front	2	
-9	65240-00		* ANGLE - Fastener, rear, left	1	
	65240-01		* ANGLE - Fastener, rear, right	1	
-10	514 763		* SCREW - (MS24693-S50)	3	
	407 563		* WASHER - (AN960-8)	3	
	494 101		* WASHER - (PS10092-1-2C)	3	
	404 910		* NUT - (MS20365-832C)	3	
-11	414 779		* SCREW - (MS24693-S49)	7	
	407 563		* WASHER - (AN960-8)	7	
	494 101		* WASHER - (PS10092-1-2C)	7	
	404 910		* NUT - (MS20365-832C)	7	
-12	487 705		* STUD - (2600-13K)	4	
	494 060		* WASHER - (2600 LW)	4	
-13	400 438		* BOLT - (AN3-4A)	8	
	407 564		* WASHER - (AN960-10)	8	
	404 887		* NUT - (MS20365-1032C)	8	
-14	35913-800		COWL ASSEMBLY - Bottom (includes air filter)	1	28-7911001 thru 28-7911282
	35913-38		COWL ASSEMBLY - Bottom	1	28-7911283 and up
-15	484 483		* RECEPTACLE - (PS10077-1-62)	4	
-16	484 339		* RECEPTACLE - (99871-P .098)	2	
-17	484 293		* RECEPTACLE - (214-16D) housing	2	
-18	484 305		* RECEPTACLE - (212-12) bottom nose	4	
-19	35913-20	A	* COVER ASSEMBLY - Air intake	1	28-7911001 thru 28-7911282
	35913-40		* COVER ASSEMBLY - Air intake	1	28-7911283 and up
-20	463 416		** GROMMET - (4002-N)	2	
	484 755		** SNAP RING - (R4G)	2	
	487 689	A	** STUD - (4002-6)	2	28-7911001 thru 28-7911282
	487 685		** STUD - (4002-8)	2	28-7911283 and up
-21	35913-21	A	* HOUSING ASSEMBLY	1	28-7911001 thru 28-7911282
	35913-41		* HOUSING ASSEMBLY	1	28-7911283 and up
-22	35913-22		* COVER PLATE - Air filter	1	
-23	406 834		* NUT PLATE - (NAS686A08)	4	
	494 101		* WASHER - (PS10092-1-2C)	4	
	514 763		* SCREW - (MS24693-S50)	4	
-24	414 762		SCREW - (MS24693-S51) - fairing assembly	9	
	494 101		WASHER - (PS10092-1-2C)	9	
	406 834		NUT PLATE - (NAS686-A08)	9	
-25	35931-02		FAIRING ASSEMBLY - Nose gear strut	1	
-26	35931-06		* FAIRING - Nose gear strut, forward	1	28-8011007 and up
-27	35931-07		* FAIRING - Nose gear strut, aft	1	28-8011007 and up
-28	87340-02		PLACARD - Oil spec	1	

When ordering, always specify Part Number, Description, and Serial Number of Aircraft

PIPER AIRCRAFT
PA-28-236 DAKOTA
AIRPLANE PARTS CATALOG

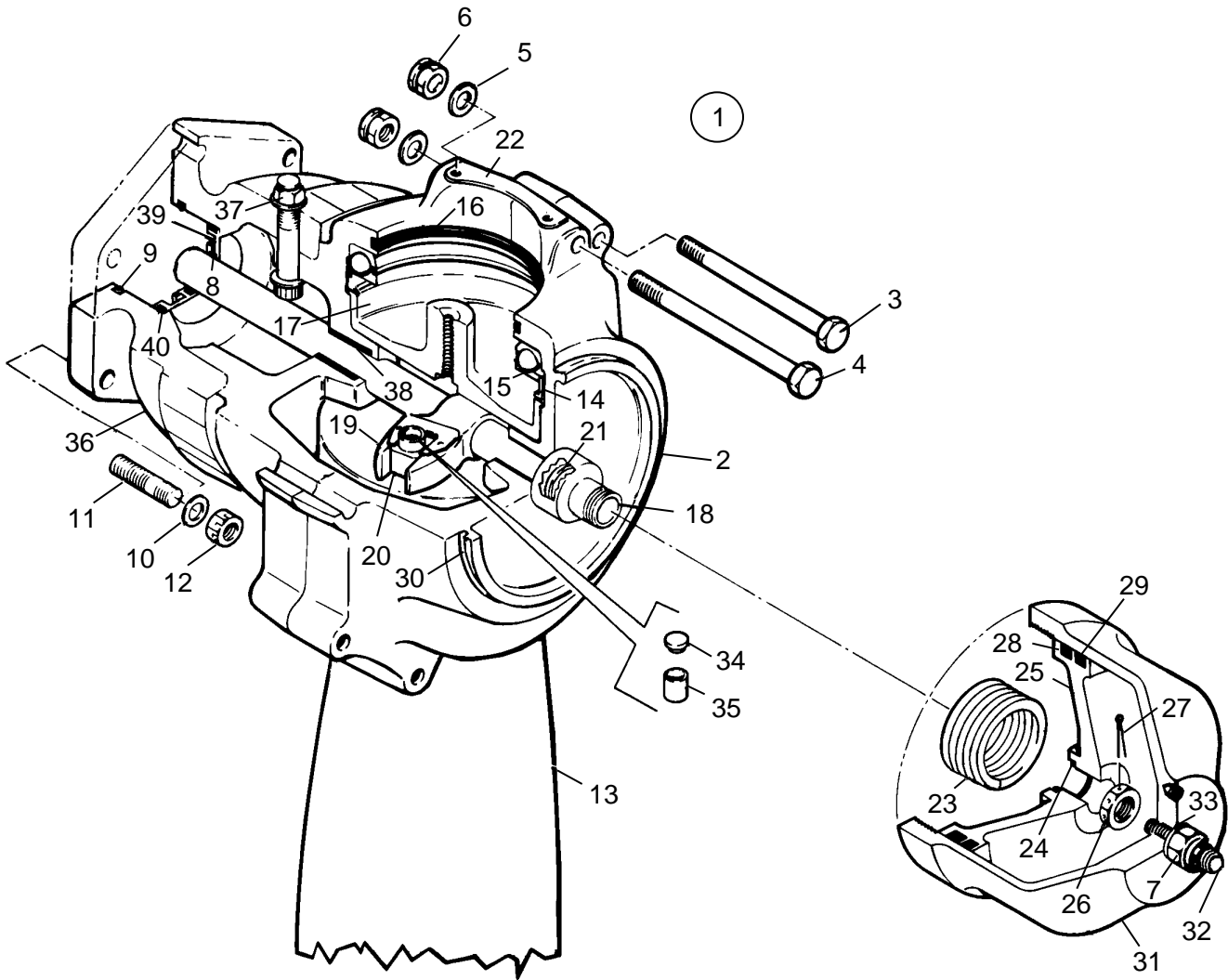


Figure 45. Propeller Assembly (Hartzell)

Reissued: June 1, 1990

**PIPER AIRCRAFT
PA-28-236 DAKOTA
AIRPLANE PARTS CATALOG**

CODE EXPLANATIONS FOR FIGURE 45

A - Parts included in Propeller Report Kit Part No. 756 892.

PIPER AIRCRAFT PA-28-236 DAKOTA AIRPLANE PARTS CATALOG

Figure and Index Number	Part Number	Code	Nomenclature	No. Req.	Serial Numbers Affected
45-1	550 984		PROPELLER ASSEMBLY - Hartzell (HC-F2YR-1) (F/244F8468A-4R)	1	
-2	755 295		* HUB ASSEMBLY - Propeller (C-3230-3)	1	
-3	753 461		* BOLT - Hex head (A-2431)	6	
-4	753 462		* BOLT - Hex head (A-2433)	4	
-5	407 587	A	* WASHER - (AN960-616L)	76	
-6	752 511	A	* NUT - Elastic (A-2043)	16	
-7	752 534		* NUT - (52NTE-064)	1	
-8	762 678	A	* O-RING - Rod (PRP-902-13)	1	
-9	755 800	A	* O-RING - Rod (PRP-909-6)	1	
-10	756 626		* WASHER - (A-1381)	6	
-11	757 583		* STUD - Flange (A-2067)	6	
-12	752 533		* NUT - Castle (A-2069)	6	
-13	758 454		* BLADE - Propeller (F8468A-4R)	2	
-14	755 968		* RING - Bearing guide (A-2204)	2	
-15	753 463		* BEARING - Blade, split (A-2202)	2	
-16	755 934	A	* O-RING - Blade (PRP-902-42)	2	
-17	763 428		* PRELOAD PLANT UNIT - (B2222)	2	
-18	757 336		* ROD - Piston (A2418-4)	1	
-19	754 826		* FORK UNIT - Pitch change (B-2457-3)	1	
-20	758 204		* BLOCK - Pitch change (A-2217-3)	2	
-21	755 972		* SPLIT - Retainer (A-2430)	1	
-22	756 607		* WEIGHTS - Balance (A-2424)	AR	
-23	757 556		* SPRING - (A-2213-1)	1	
-24	755 995	A	* O-RING - Piston seal (PRP-914-6)	1	
-25	757 302		* PISTON - (B-2419)	1	
-26	752 513		* NUT - Rod (A-2211)	1	
-27	424 061	A	* COTTERPIN - (AN380-3-5)	1	
-28	755 994	A	* O-RING - Piston (PRP-902-51)	1	
-29	757 557	A	* SEAL - Felt (B-1843)	1	
-30	755 935	A	* O-RING - Cylinder (PRP-909-25)	1	
-31	757 828		* CYLINDER - (B-2428-1)	1	
-32	757 558		* SCREW - Low stop (A-2421)	1	
-33	757 559	A	* SEAL - Parker (7000-3/8)	1	
-34	758 282		* BUTTON - Propeller (A3212-1)	1	
-35	758 280		* BUSHING - Propeller (A2413-2)	1	
-36	754 791		* EXTENSION - (C-3225)	1	
-37	758 136		* BOLT - (A-3229) Extension	2	
	407 567		* WASHER - (AN960-616) Extension	2	
	752 511	A	* NUT - (A2043) Extension	2	
-38	758 437		* BUSHING - (A2245-1)	1	
-39	757 253		* PLUG - Shaft (A2481)	1	
-40	755 931	A	* O-RING - Plug (PRP-909-4)	1	

When ordering, always specify Part Number, Description, and Serial Number of Aircraft

PIPER AIRCRAFT
PA-28-236 DAKOTA
AIRPLANE PARTS CATALOG

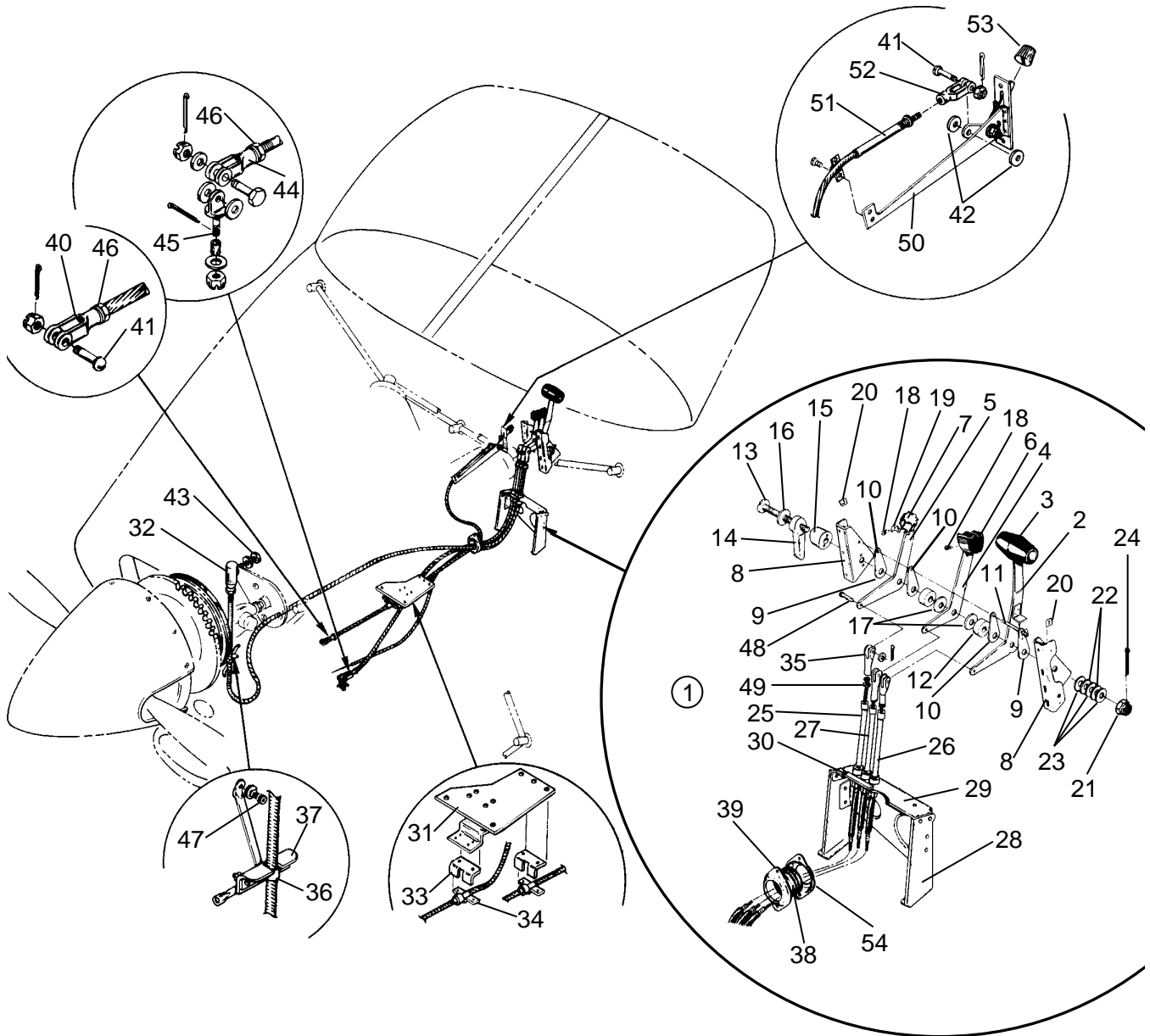


Figure 46. Engine Controls Installation

**PIPER AIRCRAFT
PA-28-236 DAKOTA
AIRPLANE PARTS CATALOG**

CODE EXPLANATIONS FOR FIGURE 46

- A - Used if a 2.72" L quadrant adjusting handle (P/N 66773-00) is installed.
- B - Used if a 2.94" L quadrant adjusting handle (P/N 63039-04) is installed.

**PIPER AIRCRAFT
PA-28-236 DAKOTA
AIRPLANE PARTS CATALOG**

Figure and Index Number	Part Number	Code	Nomenclature	No. Req.	Serial Numbers Affected
46-	35915		DRAWING - Engine Controls Installation		
-1	67210-04		QUADRANT ASSEMBLY - Control	1	
-2	67223-00		* LEVER ASSEMBLY - Throttle	1	
-3	66979-00		* * KNOB - Throttle lever	1	
-4	67213-00		* LEVER - Propeller control	1	
-5	67214-00		* LEVER - Mixture control	1	
-6	24047-00		* KNOB - Propeller control	1	
-7	24048-00		* KNOB - Mixture control	1	
-8	67216-00		* BRACKET ASSEMBLY - Quadrant, right	1	
	67215-03		* BRACKET ASSEMBLY - Quadrant, left	1	
-9	67218-00		* PLATE - Quadrant control, friction	2	
-10	67218-02		* PLATE - Quadrant control, friction	2	
-11	67221-00		* PIN - Quadrant friction plate	1	
-12	68699-10		* SPACER - Quadrant control	2	
-13	400 749	A	* BOLT - (AN25-52)	1	
	400 171	B	* BOLT - (AN5-30)	1	
-14	66773-00		* HANDLE - Quadrant adjusting (2.72" L.)	1	
	63039-04		* HANDLE - Quadrant adjusting (2.94" L.)	1	
-15	66774-00		* CAM - Quadrant adjusting	1	
-16	62833-46		* WASHER - Quadrant adjusting	1	
-17	62833-50		* WASHER - Quadrant control, friction	2	
-18	415 448		* SCREW - (AN526-832R6)	2	
-19	79473-00		* PLATE - Mixture control	1	
-20	406 345		* NUT - (A109-014-1)	2	
-21	404 394		* NUT - (AN320-5)	1	
-22	408 815		* WASHER - (3502-18-04)	2	
-23	407 586		* WASHER - (AN960-516L)	AR	
-24	424 051		* COTTER PIN - (MS24665-132)	1	
-25	455 332		CONTROL ASSEMBLY - Mixture (PS50146-13-2)	1	
-26	455 333		CONTROL ASSEMBLY - Throttle (PS50146-13-5)	1	
-27	455 344		CONTROL ASSEMBLY - Propeller governor (PS50146-13-11)	1	
-28	67206-02		SUPPORT ASSEMBLY - Engine control	1	
-29	67224-03		* BRACKET ASSEMBLY - Engine control	1	
-30	67225-00		RETAINER - Engine controls	1	
-31	35940-02		BRACKET ASSEMBLY - Engine control	1	
-32	89307-00		ROD END	1	28-7911001 and up
	55447-02		RETAINER	1	
-33	69011-00		LUG - Control cable support bracket	2	
-34	69012-00		CLAMP - Control cable support attachment	2	
-35	488 327		TERMINAL - (AN665-21R)	3	
-36	18219-02		CLAMP - Control cable bracket	1	
-37	69546-00		BRACKET ASSEMBLY - Control cable	1	
-38	63915-20		DISC - Firewall seal	2	
-39	65344-00		PLATE - Firewall seal	1	
-40	554 757		CLEVIS - (MS35812-1)	1	
-41	400 674		SCREW - (AN23-12)	2	
	404 100		NUT - (AN310-3)	2	
	424 051		COTTER PIN - (MS24665-132)	2	
-42	407 564		WASHER - (AN960-10)	2	
-43	404 887		NUT - (MS20365-1032C)	1	
	407 564		WASHER - (AN960-10)	2	
-44	554 757		BEARING - Rod end (MS35812-1)	1	

When ordering, always specify Part Number, Description, and Serial Number of Aircraft

**PIPER AIRCRAFT
PA-28-236 DAKOTA
AIRPLANE PARTS CATALOG**

Figure and Index Number	Part Number	Code	Nomenclature	No. Req.	Serial Numbers Affected
46-45	402 028		EYE BOLT - (AN42B-3)	1	
	63900-119		BUSHING (O.D. .250 x I.D. .028 x L .150)	1	
	407 584		WASHER - (AN960-10L)	2	
	404 100		NUT - (AN310-3)	2	
	424 051		COTTER PIN - (MS24665-132)	2	
-46	407 043		WASHER - (MS35338-43)	2	
	404 224		NUT - (AN315-3R)	2	
-47	418 420		SCREW - Cap (1/4 - 20NC 3 x 1/2)	1	
	407 044		WASHER - (MS35338-44)	1	
-48	524 145		PIN - (MS20392-2C11)	3	
	407 584		WASHER - (AN960-10L)	3	
	424 051		COTTER PIN - (MS24665-132)	3	
-49	404 224		NUT - (AN315-3R)	3	
	407 043		WASHER - (MS35338-43)	3	
-50	66835-00		CONTROL MOUNT - Carburetor heat	1	
-51	554 094		CABLE ASSEMBLY - Carburetor heat (PS50146-1-3)	1	
-52	554 757		CLEVIS - (MS35812-1)	1	
-53	66980-00		KNOB - Alternate air control	1	
-54	65344-00		PLATE - Firewall seal	1	

When ordering, always specify Part Number, Description, and Serial Number of Aircraft

PIPER AIRCRAFT
PA-28-236 DAKOTA
AIRPLANE PARTS CATALOG

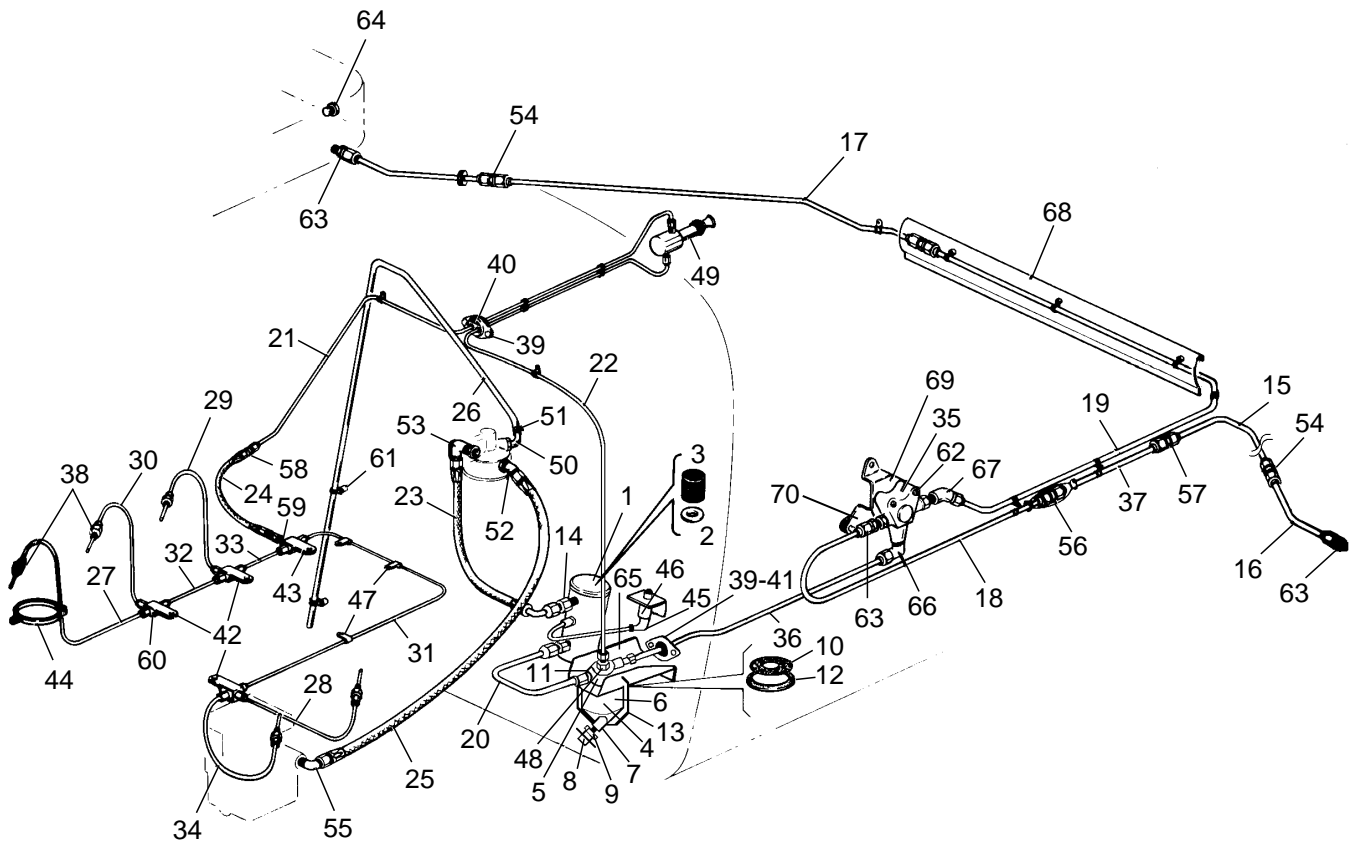


Figure 47. Fuel System Installation

Reissued: June 1, 1990

**PIPER AIRCRAFT
PA-28-236 DAKOTA
AIRPLANE PARTS CATALOG**

CODE EXPLANATIONS FOR FIGURE 47

PIPER AIRCRAFT PA-28-236 DAKOTA AIRPLANE PARTS CATALOG

Figure and Index Number	Part Number	Code	Nomenclature	No. Req.	Serial Numbers Affected
47-	35912		DRAWING - Fuel System Installation		
-1	481 701		PUMP ASSEMBLY - Electric fuel	1	
-2	751 872		* GASKET - Cover (479 136)	1	
-3	751 799		* SCREEN - Filter (479 135)	1	
-4	35715-03		GASCOLATOR ASSEMBLY - Fuel	1	
-5	14428-00		* COVER - Fuel strainer	1	
-6	63479-00		* BOWL ASSEMBLY - Gascolator	1	
-7	458 946		** ELBOW - (AN915-1D)	1	
-8	492 312		** VALVE - (CCA-1550)	1	
-9	477 677		** NUT - Tru seal fitting (1/8 pipe)	1	
-10	35789-02		* SCREW - Wire fuel strainer	1	
-11	476 678		* NIPPLE - (AN816-6)	2	
-12	462 049		* GASKET - (44P)	1	
-13	494 644		* WIRE ASSEMBLY - Bail (1PAS)	1	
-14	556 366		* CONNECTOR - Female (C-5255-6)	2	
-15	98044-70		TUBE ASSEMBLY - Fuel line, from tank, left	1	
-16	98044-71		TUBE ASSEMBLY - Fuel line, from tank	2	
-17	98044-72		TUBE ASSEMBLY - Fuel line, from tank, right	1	
-18	67700-57		TUBE ASSEMBLY - Left tank to selector valve	1	
-19	67700-56		TUBE ASSEMBLY - Right tank to selector valve	1	
-20	67700-190		TUBE ASSEMBLY - From gascolator	1	
-21	63824-08		TUBE ASSEMBLY - Primer to engine	1	
-22	63825-06		TUBE ASSEMBLY - Fuel filter to primer	1	
-23	35801-05		HOSE ASSEMBLY - Electric pump to engine pump	1	
-24	63901-137		HOSE ASSEMBLY - Flexible, primer (566 194)	1	28-7911001 and up
-25	63901-24		HOSE ASSEMBLY - Engine driven pump to carburetor	1	
-26	63913-26		HOSE ASSEMBLY - Engine fuel pump vent	1	
-27	65364-03		LINE ASSEMBLY - Engine primer, right, front	1	
-28	65364-04		LINE ASSEMBLY - Engine primer, left, center	1	
-29	65364-05		LINE ASSEMBLY - Engine primer, right, rear	1	
-30	65364-04		LINE ASSEMBLY - Engine primer, right, center	1	
-31	65365-02		LINE ASSEMBLY - Engine primer, left	1	
-32	65365-03		LINE ASSEMBLY - Engine primer, right, center	1	
-33	65365-04		LINE ASSEMBLY - Engine primer, right, rear	1	
-34	65366-00		LINE ASSEMBLY - Engine primer, left, front	1	
-35	491 947		VALVE - Fuel selector (6S122)	1	
-36	62305-03		TUBE ASSEMBLY - Fuel selector to gascolator	1	
-37	67700-25		TUBE ASSEMBLY - Fuel line	1	
-38	31197-00		PRIMER JET	5	
-39	18321-00		PLATE - Firewall disc	4	
-40	63915-18		DISC - Firewall	2	
-41	63915-14		DISC - Firewall	2	
-42	65429-00		CLAMP	3	
-43	65429-02		CLAMP	1	
-44	21230-00		CLAMP	5	
-45	23969-02		NIPPLE - Filter	1	
-46	460 594		FILTER - (NFIC-270-4-2MFD)	1	
-47	80032-69		CLAMP - Engine primer line	3	
-48	460 651		CONNECTOR - (200 x 2)	1	
-49	451 103		PRIMER ASSEMBLY - (K2406-SAE-2)	1	
-50	458 948		ELBOW - (1K1-2-4)	1	
-51	454 806		CLAMP - (SAE TY E-7)	1	
-52	558 831		ELBOW - (RAC4500-6) Engine pump	1	
-53	558 830		ELBOW - (RAC 200-6) Engine pump	1	

When ordering, always specify Part Number, Description, and Serial Number of Aircraft

PIPER AIRCRAFT PA-28-236 DAKOTA AIRPLANE PARTS CATALOG

Figure and Index Number	Part Number	Code	Nomenclature	No. Req.	Serial Numbers Affected
47-54	460 464		FERRULE - (6T 12D)	2	
	477 670		NUT - (6B 12D)	2	
	491 082		UNION - (6H 12D)	2	
-55	458 844		ELBOW - (AN823-6) 45	1	
-56	491 082		UNION - (6H 12D)	1	
	63882-82		SLEEVE	1	
	488 702		STRAP - (MS3367-1-9)	2	
-57	491 082		UNION - (6H 12D)	2	
-58	484 348		REDUCER - (AN919-OD)	1	
-59	588 436		TEE - (MS20825-2D)	1	
	455 173		COUPLING - (AN910-1D)	1	
	476 647		NIPPLE - (AN816-3D)	1	
-60	488 318		TEE - (AN824-2D)	3	
-61	454 933		CLAMP - (PS10017-2-8)	2	
	411 533		SCREW - MS35207-264)	2	
	63900-136		BUSHING	2	
-62	418 650		SCREW - (MS24678-11)	2	
	407 124		WASHER - (AN935-10L)	2	
-63	476 662		NIPPLE - (AN816-6D)	3	
-64	582 632		PLUG - (AN933-D1)	2	
-65	35454-00		BRACKET ASSEMBLY - Gascolator	1	
-66	458 895		ELBOW - (AN822-6D)	1	
-67	458 892		ELBOW - (AN823-6D)	1	
-68	67661-00		GUARD - Fuel line	1	
-69	99754-02		SUPPORT ASSEMBLY - Fuel selector cover	1	
-70	587 297		SPRING - Fuel selector stop (99756-0)	1	

When ordering, always specify Part Number, Description, and Serial Number of Aircraft

PIPER AIRCRAFT
PA-28-236 DAKOTA
AIRPLANE PARTS CATALOG

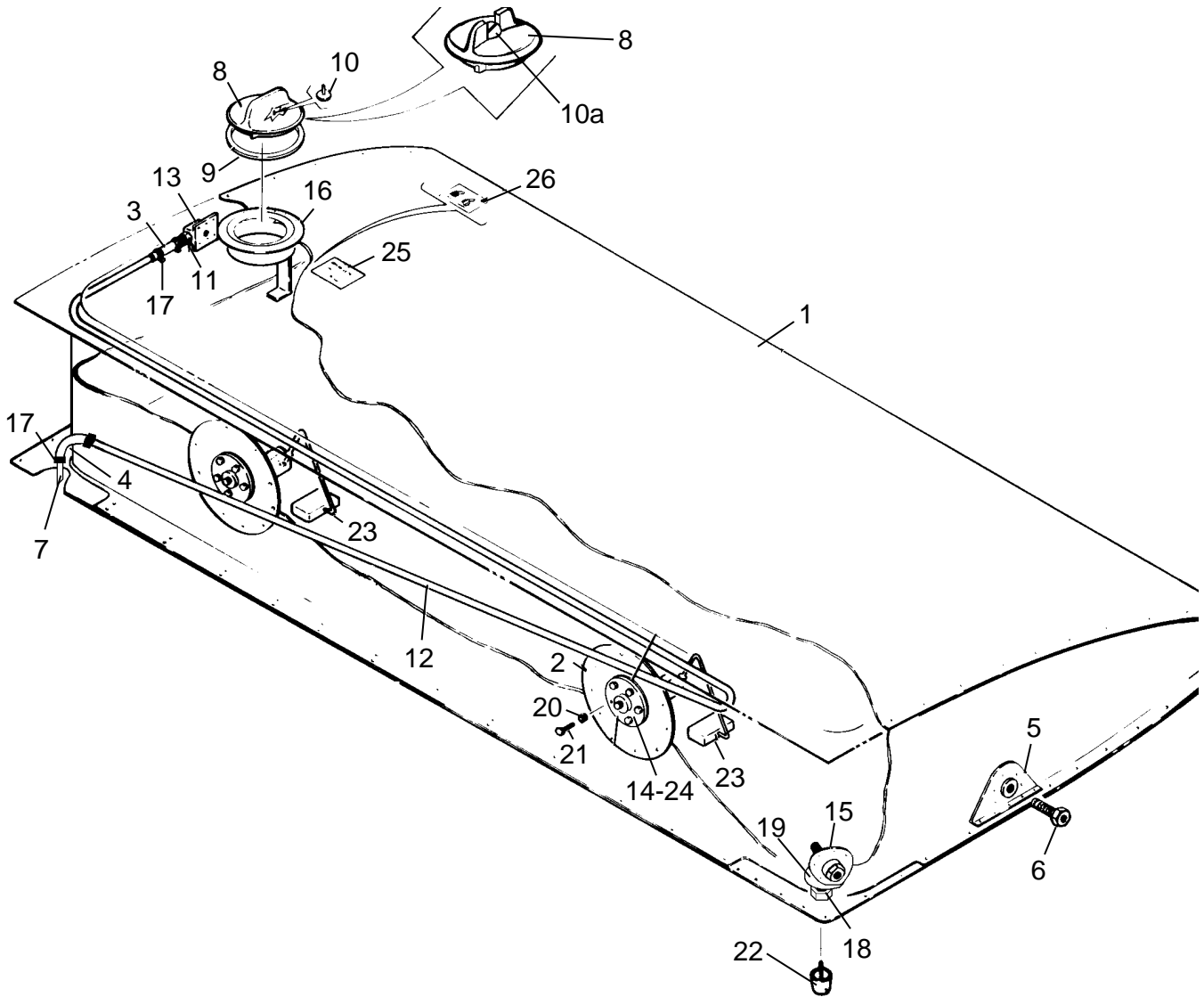


Figure 48. Fuel Tank Assembly

Reissued: June 1, 1990

**PIPER AIRCRAFT
PA-28-236 DAKOTA
AIRPLANE PARTS CATALOG**

CODE EXPLANATIONS FOR FIGURE 48

- A - Used with fuel cap assembly P/N 66817-00 only.
- B - Used with Fuel Cap Assembly Kit P/N 39830-800 only.
- C - Kit includes (2) cap assemblies with matching locks.

**PIPER AIRCRAFT
PA-28-236 DAKOTA
AIRPLANE PARTS CATALOG**

Figure and Index Number	Part Number	Code	Nomenclature	No. Req.	Serial Numbers Affected
48-1	35716-08		TANK ASSEMBLY - Fuel, left wing	1	
	35716-09		TANK ASSEMBLY - Fuel, right wing	1	
-2	66633-00		* DOUBLER - Fuel tank	2	
-3	63913-193		* HOSE - Connector	1	
-4	63913-194		* HOSE - Connector	1	
-5	35638-00		* OUTLET ASSEMBLY - Fuel tank, left	1	
	35638-01		* OUTLET ASSEMBLY - Fuel tank, right	1	
-6	72091-00		* STRINGER ASSEMBLY - Fuel tank	1	
-7	36625-02		* VENT ASSEMBLY - Fuel tank, left	1	
	36625-03		* VENT ASSEMBLY - Fuel tank, right	1	
-8	66817-00		* CAP ASSEMBLY - Fuel tank (non-locking)	1	
	39830-800	C	* CAP ASSEMBLY KIT - Fuel tank (with locks)	1	
-9	66815-00	A	** GASKET - Fuel cap	1	
	39829-02	B	** GASKET - Fuel cap	1	
-10	492 153	A	** VALVE - Fuel cap vent (VA3123)	1	
-10a	39856-02	B	** LOCK ASSEMBLY - Fuel cap	2	
-11	560 951		* ADAPTER - (1068 x 6 x 2)	1	
-12	62060-06		* VENT TUBE - Left	1	
	62060-07		* VENT TUBE - Right	1	
-13	62059-00		* FITTING - Fuel line	1	
-14	62044-00		* PLATE - Fuel tank	2	
-15	35719-00		* INLET ASSEMBLY - Fuel tank	1	
-16	69785-03		* FILLER NECK ASSEMBLY	1	
-17	554 861		* CLAMP - (SAE TY F-4)	4	
-18	491 806		* VALVE - (F391-187B)	1	
-19	62033-00		* PLATE - Drain	1	
-20	494 191		WASHER - Fiber sender only, inboard (PS10063-4)	5	
-21	401 266		BOLT - (AN3-5A) Inboard	5	
	400 440		BOLT - (AN3-6A) Outboard	5	
	407 564		WASHER - (AN960-10)	10	
	407 043		WASHER - (MS35338-43)	10	
-22	67728-00		SAMPLER - Fuel	1	
-23	35716-10		SENDER - Fuel (PS10013-5 Rochester 7740-40) Inboard (550 503)	1	
	35716-11		SENDER - Fuel (PS10013-6 Rochester 7740-41) Outboard (550 504)	1	
-24	755 049		* GASKET - Fuel sender (15-716)	1	
-25	35807-02		PLACARD - Fuel	2	28-7911001 thru 28-8011056
	35669-163		PLACARD - Fuel	2	28-8011057 thru 28-8411008
-26	456 682		DECAL - Avgas (000002)	2	

When ordering, always specify Part Number, Description, and Serial Number of Aircraft

PIPER AIRCRAFT
PA-28-236 DAKOTA
AIRPLANE PARTS CATALOG

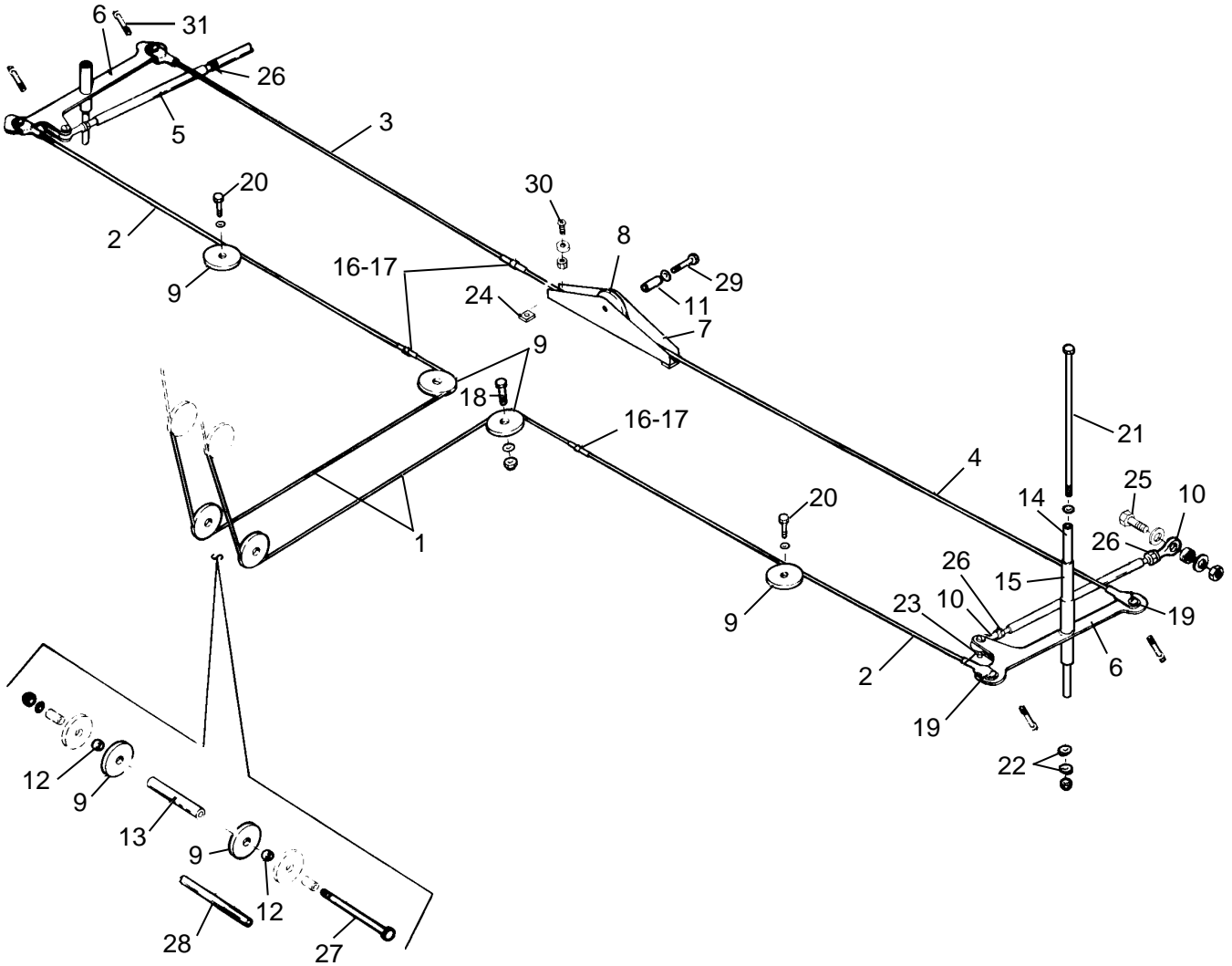


Figure 49. Aileron Control Installation

Reissued: June 1, 1990

**PIPER AIRCRAFT
PA-28-236 DAKOTA
AIRPLANE PARTS CATALOG**

CODE EXPLANATIONS FOR FIGURE 49

PIPER AIRCRAFT PA-28-236 DAKOTA AIRPLANE PARTS CATALOG

Figure and Index Number	Part Number	Code	Nomenclature	No. Req.	Serial Numbers Affected
49-	35135		DRAWING - Control System Installation		
-1	62701-99		CABLE ASSEMBLY - Forward aileron	2	
-2	62701-122		CABLE ASSEMBLY - Aileron, wing	2	
-3	62701-123		CABLE ASSEMBLY - Aileron, balance, left	1	
-4	62701-124		CABLE ASSEMBLY - Aileron, balance, right	1	
-5	35476-01		ROD - Aileron	2	
-6	35614-10		BELLCRANK ASSEMBLY - Aileron, left	1	
	35614-11		BELLCRANK ASSEMBLY - Aileron, right	1	
-7	62746-00		BRACKET - Pulley	1	
-8	63955-05		PULLEY	1	
-9	41001-10		PULLEY	6	
-10	452 335		BEARING - (PS10020-2-1RX)	4	
-11	62712-03		BEARING - Pulley, inner	1	
-12	62743-02		SPACER - Bushing	2	
-13	62743-06		SPACER - Bushing	1	
-14	95061-166		SPACER - Bushing	2	
-15	65003-57		BUSHING - Bellcrank	2	
-16	489 910		TURNBUCKLE - (MS21251-B5S)	3	
-17	554 979		CLIP - Turnbuckle (MS21256-1)	6	
-18	401 188		BOLT - (AN5-10A)	2	
	407 566		WASHER - (AN960-516)	2	
	407 586		WASHER - (AN960-516L)	4	
	404 889		NUT - (MS20365-524C)	2	
-19	402 669		BOLT - (NAS1103-7D)	4	
	407 564		WASHER - (AN960-10)	4	
	407 584		WASHER - (AN960-10L)	4	
	63900-31		BUSHING	4	
	404 945		NUT - (MS17826-3)	4	
	424 051		COTTERPIN - (MS24665-132)	4	
-20	400 155		BOLT - (AN5-10)	2	
	407 566		WASHER - (AN960-516)	4	
	407 586		WASHER - (AN960-516L)	6	
	404 102		NUT - (AN310-5)	2	
	424 053		COTTERPIN - (MS24665-136)	2	
-21	401 289		BOLT - (AN3-63A)	2	
-22	407 564		WASHER - (AN960-10)	4	
-23	400 678		BOLT - (AN23-16)	2	
	407 564		WASHER - (AN960-10)	2	
	407 584		WASHER - (AN960-10L)	2	
	404 392		NUT - (AN320-3)	2	
	424 051		COTTERPIN - (MS24665-132)	2	
-24	62762-00		FILLER BLOCK	2	
-25	400 452		BOLT - (AN3-11A)	2	
	407 584		WASHER - (AN960-10L)	2	
	404 887		NUT - (MS20365-1032C)	2	
-26	404 322		NUT - (AN316-4R)	4	
-27	401 385		BOLT - (AN5-64A)	1	
	407 566		WASHER - (AN960-516)	2	
	404 889		NUT - (MS20365-524C)	1	
-28	62710-02		PIN - Guard	1	
	424 051		COTTERPIN - (MS24665-132)	2	
-29	400 008		BOLT - (AN4-13A)	1	
	407 565		WASHER - (AN960-416)	1	
	404 888		NUT - (MS20365-428C)	1	
-30	401 266		BOLT - (AN3-5A)	2	
	407 564		WASHER - (AN960-10)	2	
	404 887		NUT - (MS20365-1032C)	2	
-31	66614-00		BOLT	4	

When ordering, always specify Part Number, Description, and Serial Number of Aircraft

PIPER AIRCRAFT
PA-28-236 DAKOTA
AIRPLANE PARTS CATALOG

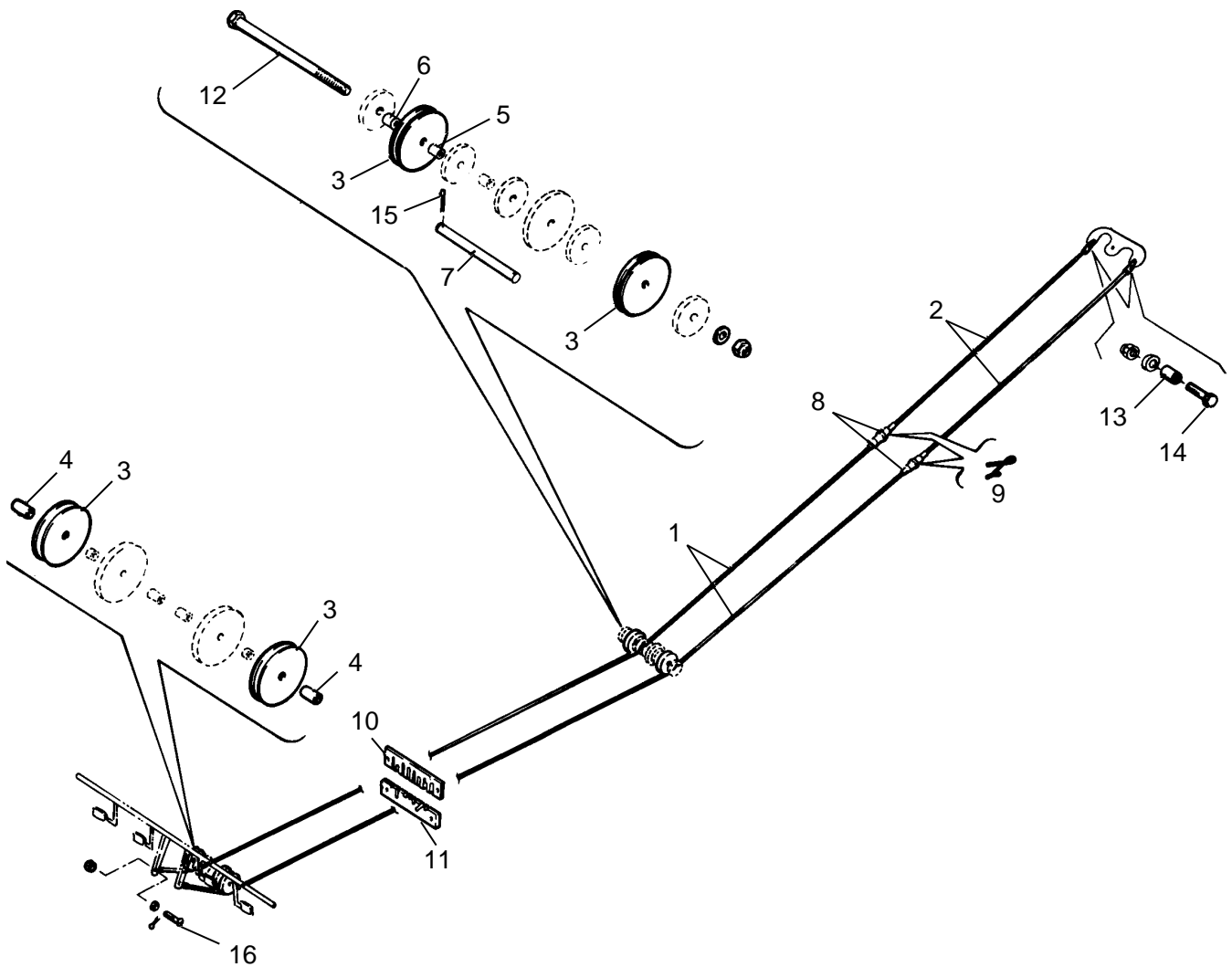


Figure 50. Rudder Control Installation

**PIPER AIRCRAFT
PA-28-236 DAKOTA
AIRPLANE PARTS CATALOG**

CODE EXPLANATIONS FOR FIGURE 50

PIPER AIRCRAFT PA-28-236 DAKOTA AIRPLANE PARTS CATALOG

Figure and Index Number	Part Number	Code	Nomenclature	No. Req.	Serial Numbers Affected
50-	35135		DRAWING - Control System Installation		
-1	62701-100		CABLE ASSEMBLY - Rudder control, forward	2	
-2	62701-08		CABLE ASSEMBLY - Rudder control, aft	2	
-3	41001-10		PULLEY - Rudder control	4	
-4	62743-04		SPACER - Rudder control	2	
-5	62743-05		SPACER - Rudder control	1	
-6	62743-03		SPACER - Rudder control	1	
-7	62710-03		PIN - Guard, rudder pulley	1	
-8	489 910		TURNBUCKLE - Rudder cable (MS21251-B5S)	2	
-9	554 979		CLIP - Rudder cable (MS21256-1)	4	
-10	62769-00		FAIRLEAD - Spar box, upper	1	
-11	62768-00		FAIRLEAD - Spar box, lower	1	
-12	401 378		BOLT - (AN5-53A)	1	
	407 566		WASHER - (AN960-516)	3	
	404 889		NUT - (MS20365-524C)	1	
-13	63900-31		BUSHING	2	
-14	400 674		BOLT - (AN23-12)	2	
	407 564		WASHER - (AN960-10)	2	
	404 392		NUT - (AN320-3)	2	
	424 051		COTTERPIN - (MS24665-132)	2	
-15	424 051		COTTERPIN - (MS24665-132)	2	
-16	400 672		BOLT - (AN23-10)	2	
	407 564		WASHER - (AN960-10)	2	
	404 392		NUT - (AN320-3)	2	
	424 051		COTTERPIN - (MS24665-132)	2	

When ordering, always specify Part Number, Description, and Serial Number of Aircraft

PIPER AIRCRAFT
PA-28-236 DAKOTA
AIRPLANE PARTS CATALOG

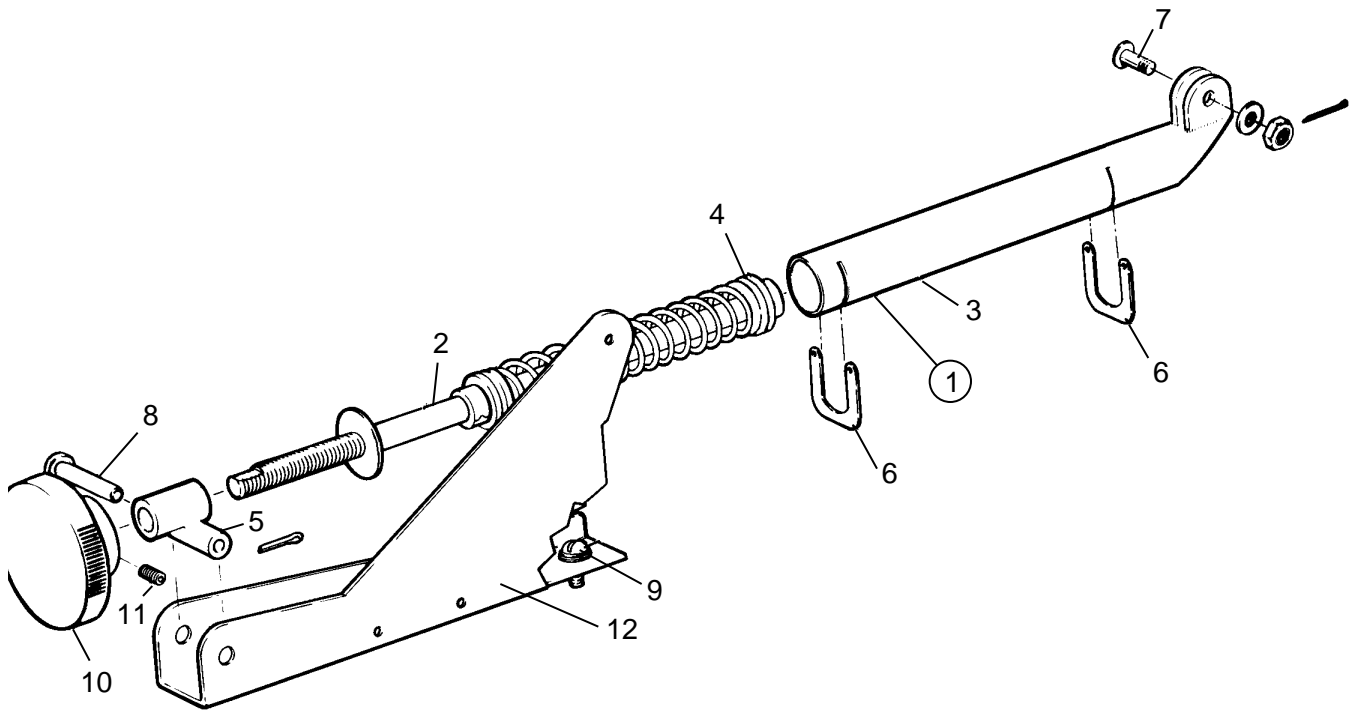


Figure 51. Rudder Trim Mechanism Installation

Reissued: June 1, 1990

**PIPER AIRCRAFT
PA-28-236 DAKOTA
AIRPLANE PARTS CATALOG**

CODE EXPLANATIONS FOR FIGURE 51

PIPER AIRCRAFT PA-28-236 DAKOTA AIRPLANE PARTS CATALOG

Figure and Index Number	Part Number	Code	Nomenclature	No. Req.	Serial Numbers Affected
51-	65837 35135		DRAWING - Rudder Trim Mechanism Installation DRAWING - Control System Installation		
-1	65837-04		ADJUSTMENT ASSEMBLY - Rudder trim	1	
-2	62829-05		* SHAFT ASSEMBLY - Rudder trim	1	
-3	65836-00		* HOUSING - Rudder trim	1	
-4	62833-144		* WASHER	1	
-5	62831-00		* WELD ASSEMBLY - Bushing	1	
-6	62832-00		* CLIP - Rudder trim	2	
-7	400 672		BOLT - (AN23-10)	1	
	407 584		WASHER - (AN960-10L)	1	
	404 392		NUT - (AN320-3)	1	
	424 051		COTTERPIN - (MS24665-132)	1	
-8	424 186		PIN - (MS20392-2-35) Flat head	1	
	424 051		COTTERPIN - (MS24665-132)	1	
-9	415 544		SCREW - (MS35206-244)	2	
	407 583		WASHER - (AN960-8L)	2	
-10	62838-00		KNOB - Rudder trim	1	
-11	419 967		SCREW - Set (MS51964-132)	1	
-12	69318-00		CHANNEL - Rudder trim	1	

When ordering, always specify Part Number, Description, and Serial Number of Aircraft

PIPER AIRCRAFT
PA-28-236 DAKOTA
AIRPLANE PARTS CATALOG

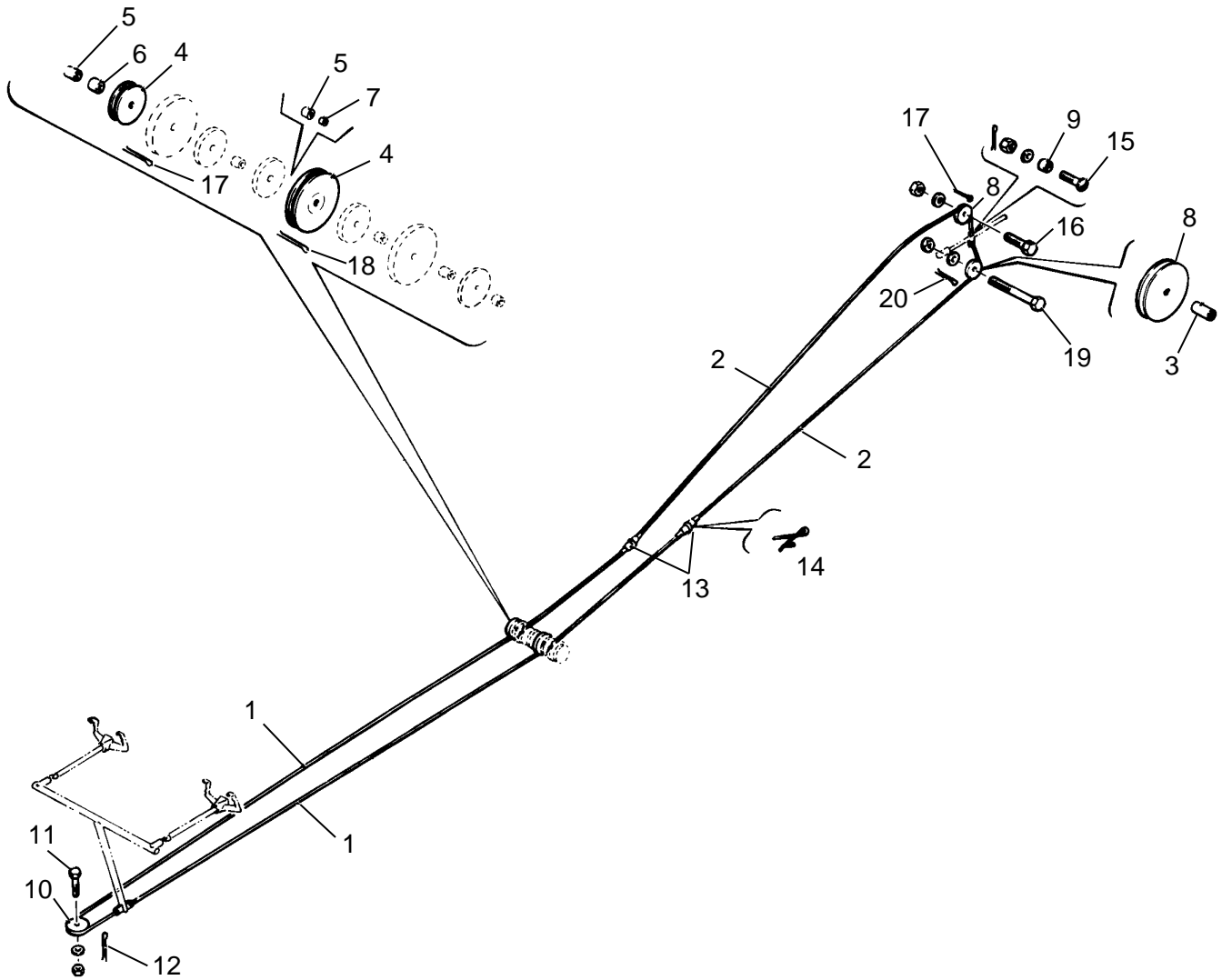


Figure 52. Stabilator Control Installation

**PIPER AIRCRAFT
PA-28-236 DAKOTA
AIRPLANE PARTS CATALOG**

CODE EXPLANATIONS FOR FIGURE 52

PIPER AIRCRAFT PA-28-236 DAKOTA AIRPLANE PARTS CATALOG

Figure and Index Number	Part Number	Code	Nomenclature	No. Req.	Serial Numbers Affected
52-	35135		DRAWING - Control System Installation		
-1	62701-113		CABLE ASSEMBLY - Forward, left	1	
	62701-114		CABLE ASSEMBLY - Forward, right	1	
-2	62701-12		CABLE ASSEMBLY - Aft, lower	1	
	62701-13		CABLE ASSEMBLY - Aft, upper	1	
-3	63900-37		BUSHING	2	
-4	63955-03		PULLEY - Stabilator control, forward	2	
-5	62715-02		BEARING - Pulley, outer	2	
-6	62714-03		BEARING - Pulley, inner	1	
-7	62714-02		BEARING - Pulley, inner	1	
-8	41001-10		PULLEY - Stabilator control, aft	2	
-9	63900-31		BUSHING	2	
-10	481 652		PULLEY - (MS20220-2)	1	
-11	401 353		BOLT - (AN5-12A)	1	
	407 566		WASHER - (AN960-516)	1	
	404 889		NUT - (MS20365-524C)	1	
-12	424 054		COTTERPIN - (MS24665-140)	2	
-13	489 910		TURNBUCKLE - (MS21251-B5S)	2	
-14	554 979		CLIP - (MS21256-1)	4	
-15	400 674		BOLT - (AN23-12)	2	
	407 564		WASHER - (AN960-10)	2	
	404 392		NUT - (AN320-3)	2	
	424 051		COTTERPIN - (MS24665-132)	2	
-16	401 188		BOLT - (AN5-10A) Upper pulley	1	
	407 566		WASHER - (AN960-516) Upper pulley	1	
	404 889		NUT - (MS20365-524C) Upper pulley	1	
-17	424 053		COTTERPIN - (MS24665-136)	2	
-18	424 054		COTTERPIN - (MS24665-140)	1	
-19	401 354		BOLT - (AN5-13A)	1	
	407 566		WASHER - (AN960-516)	1	
	404 889		NUT - (MS20365-524C)	1	
-20	424 054		COTTERPIN - (MS24665-140)	1	

When ordering, always specify Part Number, Description, and Serial Number of Aircraft

PIPER AIRCRAFT
PA-28-236 DAKOTA
AIRPLANE PARTS CATALOG

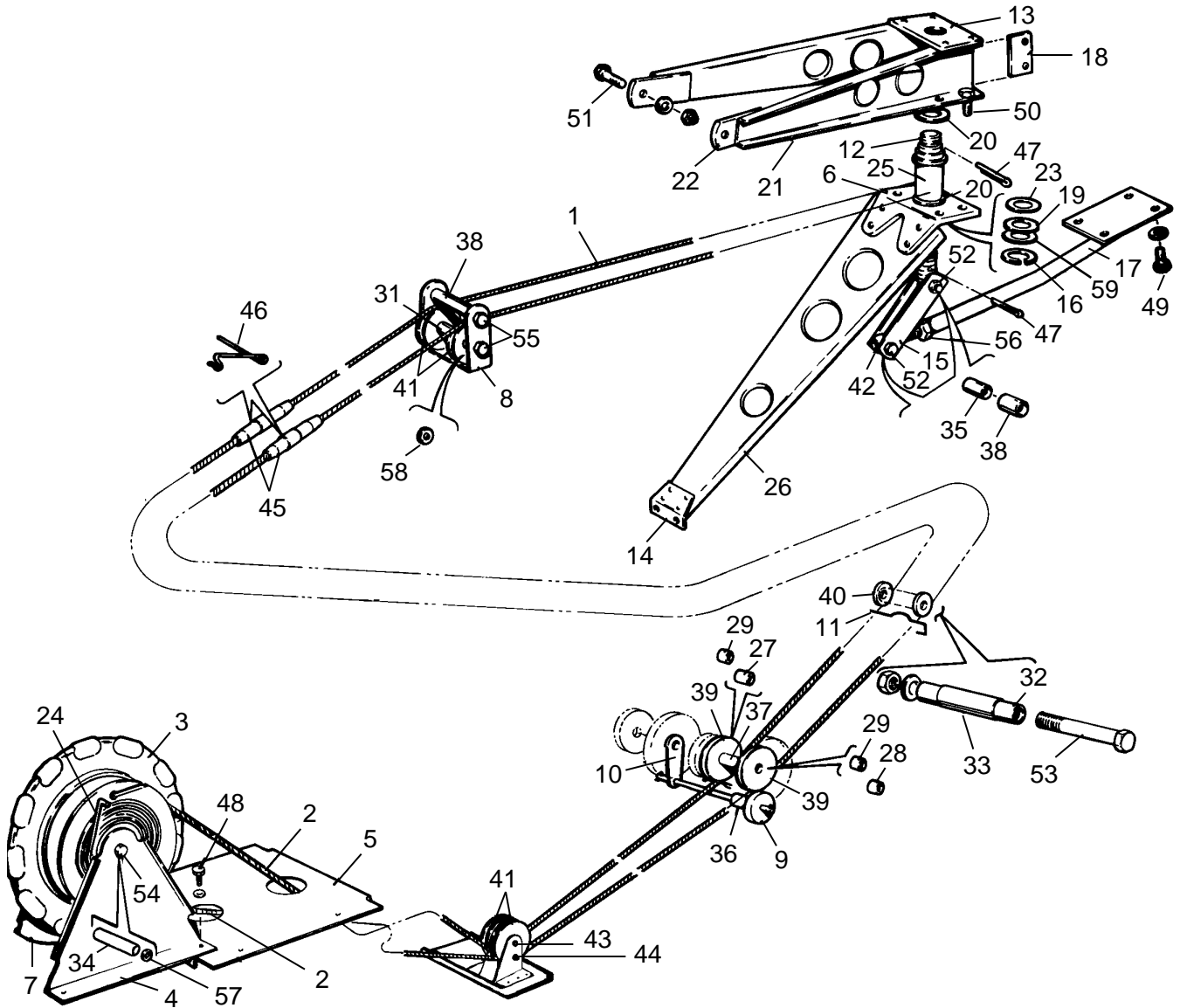


Figure 53. Stabilator Trim Installation

Reissued: June 1, 1990

**PIPER AIRCRAFT
PA-28-236 DAKOTA
AIRPLANE PARTS CATALOG**

CODE EXPLANATIONS FOR FIGURE 53

PIPER AIRCRAFT PA-28-236 DAKOTA AIRPLANE PARTS CATALOG

Figure and Index Number	Part Number	Code	Nomenclature	No. Req.	Serial Numbers Affected
53-	35135 65258		DRAWING - Control System Installation DRAWING - Stabilator Trim Installation		
-1	62701-47		CABLE - Stabilator trim, aft	1	
-2	62701-104		CABLE - Stabilator trim, forward	2	
-3	68414-03		WHEEL ASSEMBLY - Trim tab	1	
-4	65633-00		BRACKET ASSEMBLY - Trim tab	1	
-5	65632-03		PLATE ASSEMBLY - Trim wheel	1	
-6	65250-02		CLIP - Stabilator trim	1	
-7	65635-00		BRACKET - Trim tab	1	
-8	68472-00		BRACKET - Stabilator trim pulley	1	
-9	65639-00		GUARD - Trim pulley	1	
-10	62709-00		GUARD - Pin holder	1	
-11	99856-00		GUARD - Cable	1	
-12	65246-00		SHAFT - Stabilator trim	1	
-13	65249-02		PLATE - Stabilator trim	1	
-14	65252-00		CLIP - Stabilator trim	1	
-15	65253-00		LINK - Stabilator trim	2	
-16	484 747		SNAP RING - (5108-75)	1	
-17	65248-00		ARM ASSEMBLY - Stabilator trim	1	
-18	68491-00		GUARD - Cable	2	
-19	452 418		BEARING - Thrust (T-1010)	1	
-20	452 413		BEARING - (F-838)	2	
-21	65244-00		RIB - Stabilator trim	2	
-22	65251-00		TAB - Stabilator trim	2	
-23	62833-18		SHIM - Stabilator trim	1	
-24	68488-02		INDICATOR - Stabilator trim	1	
-25	63530-00		BARREL - Stabilator trim	1	
-26	65245-00		RIB - Stabilator trim	1	
-27	62714-02		BUSHING - Trim tab	1	
-28	62714-04		BUSHING - Trim tab	1	
-29	62715-02		BUSHING - Trim tab	2	
-30	63900-55		BUSHING - Stabilator trim pulley	1	
-31	63900-56		BUSHING - Stabilator trim pulley	1	
-32	63900-59		BUSHING - Stabilator trim, inner	1	
-33	63900-60		BUSHING - Stabilator trim, outer	1	
-34	63900-61		BUSHING	1	
-35	65003-06		BUSHING - Stabilator trim link	2	
-36	63900-124		BUSHING	1	
-37	62743-08		SPACER - Stabilator trim pulley	1	
-38	63882-09		SLEEVE - Stabilator trim link	2	
-39	62711-03		PULLEY - Trim tab	2	
-40	62711-04		PULLEY - Stabilator trim	2	
-41	481 640		PULLEY - (MS24566-1B)	4	
-42	65254-00		BOLT - Eye, stabilator trim	1	
-43	424 180		PIN - (MS20392-2C23)	1	
	424 051		COTTER PIN (MS24665-132)	1	
-44	424 148		PIN - (MS20392-1C23)	1	
	424 051		COTTER PIN (MS24665-132)	1	
-45	489 873		BARREL - Turnbuckle (MS21251-B2S)	2	
-46	554 979		CLIP - Turnbuckle safety (MS21256-1)	4	
-47	424 123		COTTER PIN (MS24665-368)	2	
-48	400 437		BOLT - (AN3-3A)	4	
-49	400 437		BOLT - (AN3-3A)	4	
	407 584		WASHER - (AN960-10L)	4	

When ordering, always specify Part Number, Description, and Serial Number of Aircraft

**PIPER AIRCRAFT
PA-28-236 DAKOTA
AIRPLANE PARTS CATALOG**

Figure and Index Number	Part Number	Code	Nomenclature	No. Req.	Serial Numbers Affected
53-50	400 438		BOLT - (AN3-4A)	4	
	407 564		WASHER - (AN960-10)	4	
	404 887		NUT - (MS20365-1032C)	4	
-51	401 266		BOLT - (AN3-5A)	2	
	494 066		WASHER - (K19001-3)	2	
	406 551		NUT - (H19000-3)	2	
-52	401 269		BOLT - (AN3-10A)	2	
	407 564		WASHER - (AN960-10)	4	
	404 887		NUT - (MS20365-1032C)	2	
-53	400 446		BOLT - (AN3-16A)	1	
	407 585		WASHER - (AN960-416L)	1	
	404 887		NUT - (MS20365-1032C)	1	
-54	400 450		BOLT - (AN3-17A)	1	
	407 584		WASHER - (AN960-10L)	2	
	407 564		WASHER - (AN960-10)	1	
	407 587		WASHER - (AN960-616L)	1	
	404 887		NUT - (MS20365-1032C)	1	
-55	401 279		BOLT - (AN3-25A)	2	
	407 584		WASHER - (AN960-10L)	2	
	404 887		NUT - (MS20365-1032C)	2	
-56	404 325		NUT - (AN316-7R)	1	
-57	62833-37		WASHER	1	
-58	407 564		WASHER - (AN960-10)	2	
-59	407 684		WASHER - (AN960-C1216L)	1	

When ordering, always specify Part Number, Description, and Serial Number of Aircraft

**PIPER AIRCRAFT
PA-28-236 DAKOTA
AIRPLANE PARTS CATALOG**

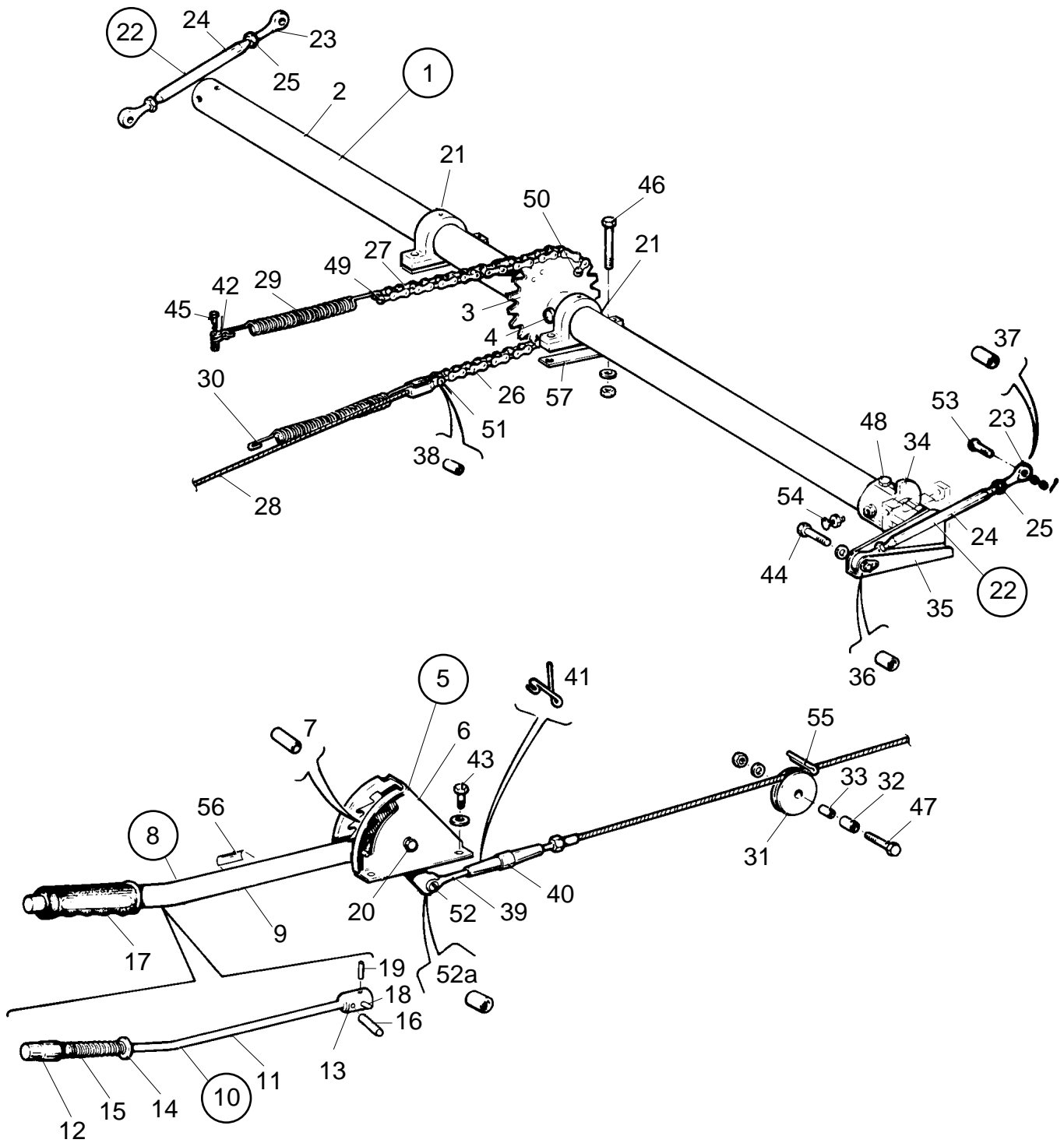


Figure 54. Flap Control Installation

Interim Revision: March 15, 1995

**PIPER AIRCRAFT
PA-28-236 DAKOTA
AIRPLANE PARTS CATALOG**

CODE EXPLANATIONS FOR FIGURE 54

- A - Used when two or more torque shaft support shims P/N 35402-04 are installed with each torque shaft support clamp assembly.
- B - See latest revision of Piper Service Bulletin 965.

PIPER AIRCRAFT PA-28-236 DAKOTA AIRPLANE PARTS CATALOG

Figure and Index Number	Part Number	Code	Nomenclature	No. Req.	Serial Numbers Affected
54-	35135		DRAWING - Control System Installation		
-1	62705-00		FLAP TORQUE TUBE ASSEMBLY - Complete	1	
-2	62725-00		* TORQUE TUBE - Flap	1	
-3	62789-02		* SPROCKET ASSEMBLY - Flap torque tube	1	
-4	400 011		* BOLT - (AN4-16A)	2	
	407 565		* WASHER - (AN960-416)	2	
	404 836		* NUT - (MS20364-428C)	2	
-5	62706-06		LEVER ASSEMBLY - Flap control	1	
-6	65654-06		* BRACKET ASSEMBLY - Flap lever	1	
-7	62740-00		* BUSHING - Flap lever	1	
-8	63782-04		* HANDLE ASSEMBLY - Flap lever	1	
-9	63781-00		** TUBE ASSEMBLY - Flap lever	1	
-10	63391-03		** PLUNGER ASSEMBLY - Flap lever	1	
-11	63391-02		*** TUBE - Plunger	1	
-12	62733-00		*** PLUG - Plunger, upper	1	
-13	62734-02		*** PLUG - Plunger, lower	1	
-14	62736-00		*** WASHER	1	
-15	50111-00		*** SPRING	1	
-16	480 696		*** PIN - Roll (59-022-094-0625)	2	
-17	63779-00		** GRIP - Flap lever	1	
-18	63782-03		** PIN - Roll	1	
-19	480 812		** PIN - Roll (52-012-062-0625)	1	
-20	401 274		* BOLT - (AN3-15A)	1	
	407 564		* WASHER - (AN960-10)	2	
	404 887		* NUT - (MS20365-1032C)	1	
-21	35402-00		CLAMP ASSEMBLY - Torque shaft support	2	
-22	62764-00		ROD ASSEMBLY - Flap tube	2	
-23	452 335		* BEARING - (F34-14 R.H. Thread)	1	
	452 336		* BEARING - (FL34-14 L.H. Thread)	1	
-24	62764-02		* TUBE - Flap	1	
-25	404 322		* NUT - (AN316-4R R.H. Thread)	1	
	404 320		* NUT - (AN316-4L L.H. Thread)	1	
-26	62858-03		CHAIN - (65 Diamond 1/8 roller, 8.5" L.)	1	
-27	62858-04		CHAIN - (65 Diamond 1/8 roller, 6.0" L.)	1	
-28	62701-101		CABLE ASSEMBLY - Flap	1	
-29	62820-00		SPRING - Flap return	1	
-30	62821-00		SPRING - Flap cable tension	1	
-31	62711-02		PULLEY - Flap	1	
-32	62713-02		BEARING - Outer	1	
-33	62712-02		BEARING - Inner	1	
-34	62856-00		FITTING ASSEMBLY - Left	1	
	62856-01		FITTING ASSEMBLY - Right	1	
-35	62727-00		TUBE ASSEMBLY - Flap torque tube, left	1	
	62727-01		TUBE ASSEMBLY - Flap torque tube, right	1	
-36	63900-38		BUSHING - Flap bellcrank	2	
-37	63900-39		BUSHING - Flap rod end	2	
-38	82732-76		BUSHING	1	
-39	461 136		FORK - (NAS645-22RS)	1	
-40	489 910		BARREL - (MS21251-B5S)	1	
-41	554 979		CLIP - (MS21256-1)	2	
-42	486 563		SHACKLE - (AN115-16)	1	
-43	400 438		BOLT - (AN3-4A)	4	
-44	400 443		BOLT - (AN3-12A)	2	
	407 564		WASHER - (AN960-10)	2	

When ordering, always specify Part Number, Description, and Serial Number of Aircraft

**PIPER AIRCRAFT
PA-28-236 DAKOTA
AIRPLANE PARTS CATALOG**

Figure and Index Number	Part Number	Code	Nomenclature	No. Req.	Serial Numbers Affected
54-45	401 266		BOLT - (AN3-5A)	1	
	407 564		WASHER - (AN960-10)	1	
	404 887		NUT - (MS20365-1032C)	1	
-46	400 440		BOLT - (AN3-6A)	4	
	400 441	A	BOLT - (AN3-7A)	4	
	407 564		WASHER - (AN960-10)	4	
	407 564	A	WASHER - (AN960-10)	12	
	404 887		NUT - (MS20365-1032C)	4	
-47	400 004		BOLT - (AN4-7A)	1	
	407 585		WASHER - (AN960-416L)	1	
	404 888		NUT - (MS20365-428C)	1	
-48	401 318		BOLT - (AN4-20A)	4	
	407 565		WASHER - (AN960-416)	4	
	404 888		NUT - (MS20365-428C)	4	
-49	400 652		BOLT - (AN21-8)	1	
	407 562		WASHER - (AN960-6)	1	
	404 391		NUT - (AN320-1)	1	
	424 041		COTTER PIN (MS24665-5)	1	
-50	400 653		BOLT - Clevis (AN21-9)	2	
	407 562		WASHER - (AN960-6)	4	
	404 391		NUT - (AN320-1)	2	
	424 041		COTTER PIN (MS24665-5)	2	
-51	400 653		BOLT - (AN21-9)	1	
	404 391		NUT - (AN320-1)	1	
	424 041		COTTER PIN (MS24665-5)	1	
-52	400 673	B	BOLT - (AN23-11)	1	
	407 564	B	WASHER - (AN960-10)	1	
	404 392	B	NUT - (AN320-3)	1	
	424 051	B	COTTER PIN (MS24665-132)	1	
-52a	63900-174	B	BUSHING	1	
-53	400 680		BOLT - (AN23-18)	2	
	407 564		WASHER - (AN960-10)	2	
	404 100		NUT - (AN310-3)	2	
	424 051		COTTER PIN (MS24665-132)	2	
-54	411 538		SCREW - (MS35207-269)	2	
	404 224		NUT - (AN315-3R)	2	
-55	424 052		COTTER PIN (MS24665-134)	1	
-56	35669-27		PLACARD - Flap lever	1	
-57	35402-04		SHIM - Torque shaft support	AR	

When ordering, always specify Part Number, Description, and Serial Number of Aircraft

PIPER AIRCRAFT
PA-28-236 DAKOTA
AIRPLANE PARTS CATALOG

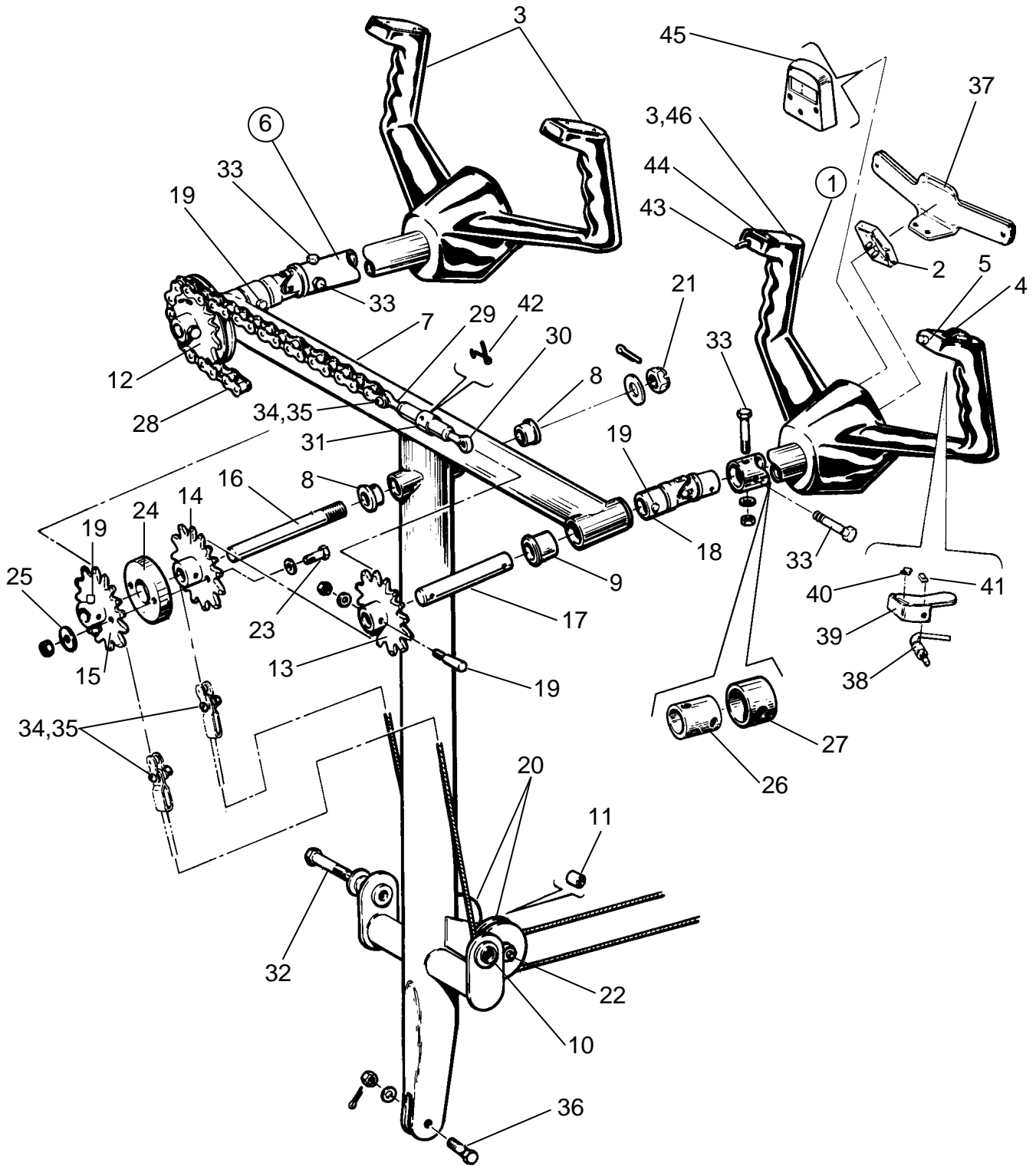


Figure 55. Control Wheel Installation

**PIPER AIRCRAFT
PA-28-236 DAKOTA
AIRPLANE PARTS CATALOG**

CODE EXPLANATIONS FOR FIGURE 55

- A - Used if boom mike only is installed.
- B - Control wheel assembly does not include switches. Order desired switches separately.
- C - Used if remote transponder identification switch is installed on right grip of control wheel.

PIPER AIRCRAFT PA-28-236 DAKOTA AIRPLANE PARTS CATALOG

Figure and Index Number	Part Number	Code	Nomenclature	No. Req.	Serial Numbers Affected
55-	35135		DRAWING - Control System Installation		
-1	79276-00	B	WHEEL ASSEMBLY - Control (left grip cored)	2	28-8111001 and up
	79276-872	B,C	WHEEL ASSEMBLY - Control (both grips cored)	2	
	79275-00		* MEDALLION - Control wheel	1	
-2	67491-00		* PLATE - Control wheel cover (standard)	2	
-3	79652-03		SWITCH ASSEMBLY - Electric trim	1	
-4	67463-00		SWITCH ASSEMBLY - AutoFlite	1	
-5	62019-03		CONTROL COLUMN ASSEMBLY	1	
-6	62703-33		* TEE BAR ASSEMBLY - Control column	1	
-7	452 372		** BEARING - (F-504-2)	2	
-8	452 389		* BEARING - (F-825-2)	4	
-9	452 388		* BEARING - (F4DD)	2	
-10	62712-04		* BUSHING - Control column pulley	2	
-11	62845-02		* SPROCKET ASSEMBLY - Control column, right	1	
-12	62839-00		* SPROCKET ASSEMBLY - Control column, left	1	
-13	62778-00		* SPROCKET - Control column, center rear	1	
-14	63404-00		* SPROCKET - Control column, center front	1	
-15	69077-00		* SHAFT - Control column, center	1	
-16	62716-07		* SHAFT - Control column	2	
-17	62834-02		* UNIVERSAL JOINT - Control column	2	
-18	480 730		* PIN - (AN386-1-6A)	5	
	494 093		* WASHER - (AN975-3)	5	
	404 835		* NUT - (MS20364-1032C)	5	
-19	481 651		* PULLEY - Control column (MS20220-1)	2	
-20	407 568		* WASHER - (AN960-716)	1	
	404 104		* NUT - (AN310-7)	1	
	424 060		* COTTER PIN (MS24665-285)	1	
-21	401 333		* BOLT - (AN4-35A)	1	
	407 565		* WASHER - (AN960-416)	4	
	404 888		* NUT - (MS20365-428C)	1	
-22	401 269		* BOLT - (AN3-10A)	2	
	407 564		* WASHER - (AN960-10)	2	
	407 584		* WASHER - (AN960-10L)	2	
	404 887		* NUT - (MS20365-1032C)	2	
-23	62782-00		* SPACER - Control column	1	
-24	62784-00		* WASHER - Control column	2	
-25	68557-00		* BUSHING - Control column	2	
-26	67193-00		STOP - Tee bar, left	1	
-27	62858-02		CHAIN - Control	2	
-28	62840-02		EYE BOLT - Turnbuckle, right	1	
-29	62840-03		EYE BOLT - Turnbuckle, left	1	
-30	489 910		BARREL - Turnbuckle (MS21251-B5S)	2	
-31	401 310		BOLT - (AN4-10A)	2	
	62833-85		WASHER - (O.D. 1.50")	2	
	62833-86		WASHER - (O.D. .75")	2	
	404 888		NUT - (MS20365-428C)	2	
-32	66546-00		BOLT - Special	4	
	407 584		WASHER - (AN960-10L)	4	
	404 835		NUT - (MS20364-1032C)	4	
-33	82732-76		BUSHING - Control chain	4	
-34	400 653		BOLT - (AN21-9)	4	
	404 391		NUT - (AN320-1)	4	
	424 041		COTTER PIN (MS24665-5)	4	

When ordering, always specify Part Number, Description, and Serial Number of Aircraft

**PIPER AIRCRAFT
PA-28-236 DAKOTA
AIRPLANE PARTS CATALOG**

Figure and Index Number	Part Number	Code	Nomenclature	No. Req.	Serial Numbers Affected
55-36	400 056		BOLT - (AN3-11)	1	
	407 564		WASHER - (AN960-10)	1	
	404 100		NUT - (AN310-3)	1	
	424 051		COTTER PIN (MS24665-132)	1	
-37	67984-02		CLIP ASSEMBLY - Map	1	
-38	487 904		SWITCH - Boom mike (39-1)	1	
-39	37729-02		BRACKET ASSEMBLY - Switch	1	
-40	35669-16		PLACARD - A/P INTR.	1	
-41	35669-17		PLACARD - Mike	1	
-42	554 979		CLIP - Turnbuckle (MS21256-1)	2	
-43	487 904		SWITCH - Remote transponder identifier (39-1)	1	28-8111001 and up
-44	35669-188		PLACARD - Transponder identifier	1	28-8111001 and up
-45	548 561		CLOCK - Control wheel (AT4210PO)	1	28-8111001 and up
-46	67491-03	A	PLATE - Control wheel cover, right	1	

When ordering, always specify Part Number, Description, and Serial Number of Aircraft

PIPER AIRCRAFT
PA-28-236 DAKOTA
AIRPLANE PARTS CATALOG

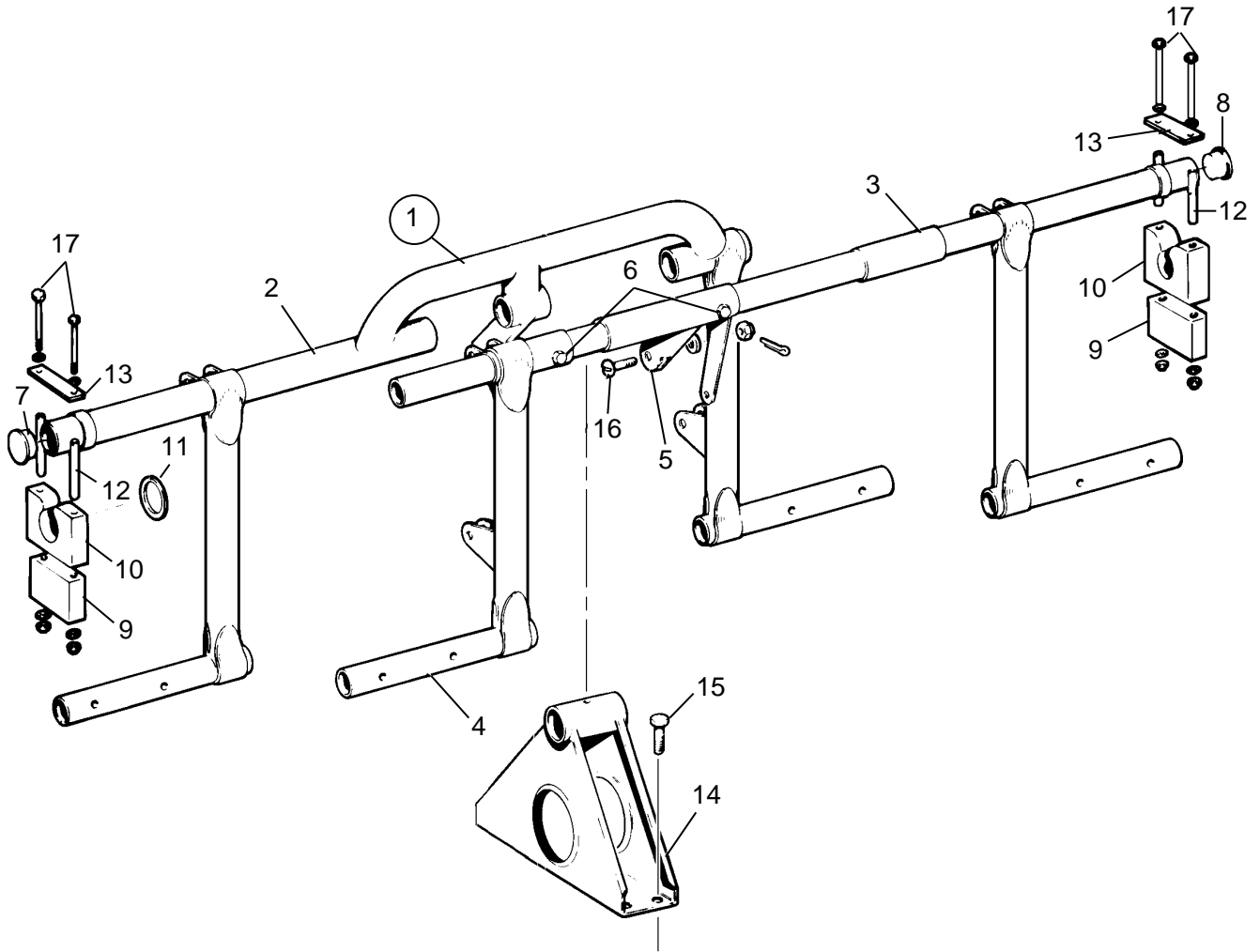


Figure 56. Rudder Pedal Installation

Reissued: June 1, 1990

**PIPER AIRCRAFT
PA-28-236 DAKOTA
AIRPLANE PARTS CATALOG**

CODE EXPLANATIONS FOR FIGURE 56

PIPER AIRCRAFT PA-28-236 DAKOTA AIRPLANE PARTS CATALOG

Figure and Index Number	Part Number	Code	Nomenclature	No. Req.	Serial Numbers Affected
56-	35135		DRAWING - Control System Installation		
-1	63459-19		RUDDER PEDAL ASSEMBLY - Complete	1	
-2	63420-08		* PEDAL AND BAR ASSEMBLY	1	
-3	63419-00		* PEDAL AND BAR ASSEMBLY	1	
-4	63458-05		* PEDAL AND BAR ASSEMBLY	1	
-5	66661-00		* ARM ASSEMBLY - Connector	1	
-6	402 314		* BOLT - (AN174-13A)	2	
	407 585		* WASHER - (AN960-416)	4	
	404 836		* NUT - (MS20364-428C)	2	
-7	581 330		* PLUG - Rudder pedal assembly	1	
-8	581 332		* PLUG - Rudder pedal assembly	1	
-9	63456-00		BLOCK - Rudder bar support, bottom	2	
-10	65050-00		BLOCK - Rudder bar support	2	
-11	62833-17		WASHER - Rudder bar support	2	
-12	65003-03		BUSHING - Rudder bar support	4	
-13	63455-00		PLATE - Rudder bar support	6	
-14	63451-00		SUPPORT ASSEMBLY - Rudder bar	1	
-15	400 438		BOLT - (AN3-4A)	4	
-16	400 672		BOLT - (AN23-10)	2	
-17	400 456		BOLT - (AN3-31A)	4	

When ordering, always specify Part Number, Description, and Serial Number of Aircraft

PIPER AIRCRAFT
PA-28-236 DAKOTA
AIRPLANE PARTS CATALOG

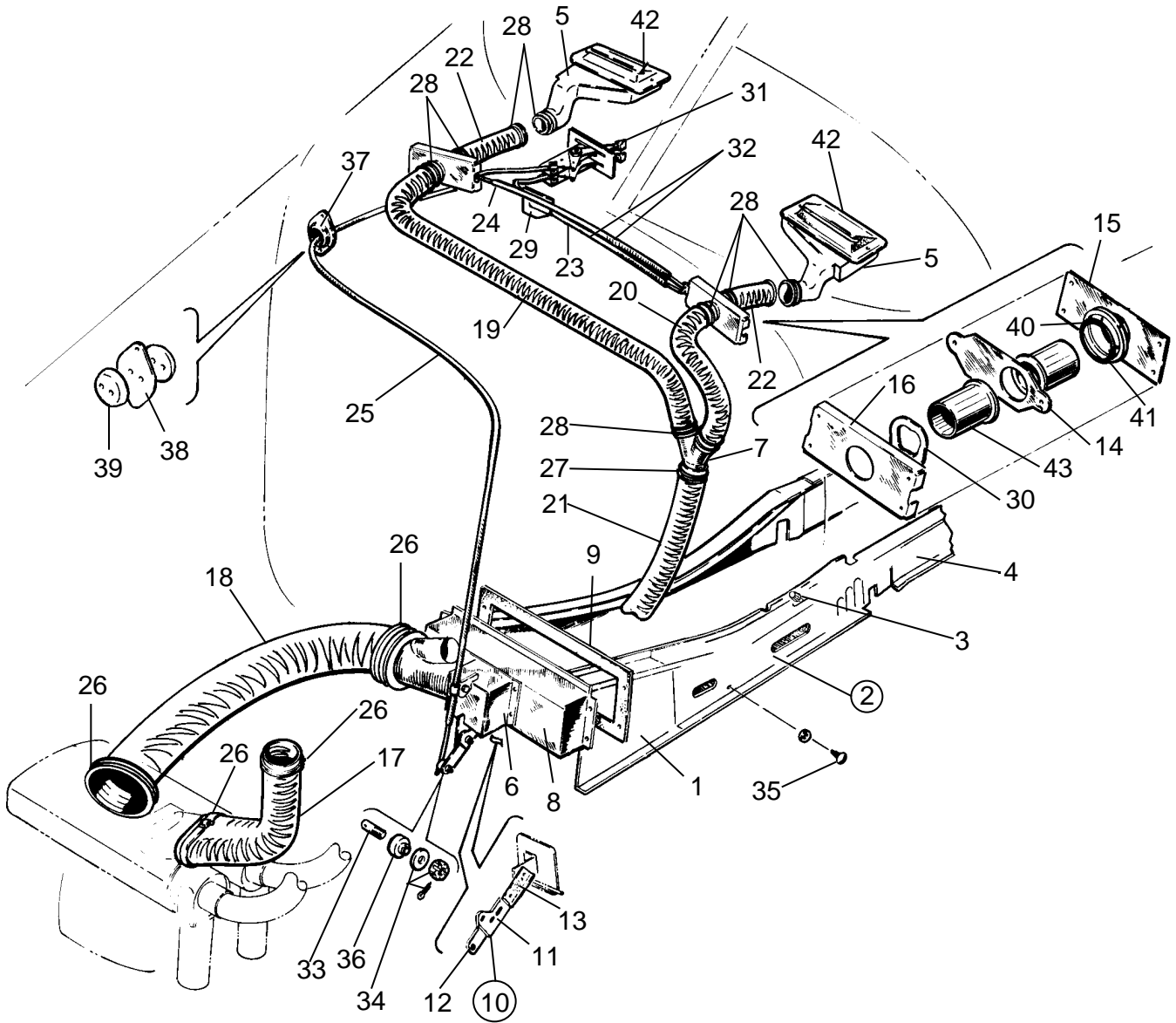


Figure 57. Cabin Heat and Defroster Installation

Reissued: June 1, 1990

**PIPER AIRCRAFT
PA-28-236 DAKOTA
AIRPLANE PARTS CATALOG**

CODE EXPLANATIONS FOR FIGURE 57

A - When ordering, specify color "bark II" or black.

**PIPER AIRCRAFT
PA-28-236 DAKOTA
AIRPLANE PARTS CATALOG**

Figure and Index Number	Part Number	Code	Nomenclature	No. Req.	Serial Numbers Affected
57-	99023		DRAWING - Cabin Heat Installation		
	99024		DRAWING - Defroster System Installation		
-1	76219-00		DUCT ASSEMBLY - Cabin heat, front, left	1	
	76219-01		DUCT ASSEMBLY - Cabin heat, front, right	1	
-2	36511-02	A	DUCT ASSEMBLY - Cabin heat, center, left	1	
	36511-03	A	DUCT ASSEMBLY - Cabin heat, center, right	1	
-3	66980-00		* KNOB - Heat duct	1	
-4	76129-02		DUCT - Cabin heat, rear, left	1	
	76129-01		DUCT - Cabin heat, rear, right	1	
-5	79615-02		DUCT ASSEMBLY - Defroster, left	1	
	79615-03		DUCT ASSEMBLY - Defroster, right	1	
-6	65545-00		BOX ASSEMBLY - Cabin heat	1	
-7	69229-00		TAKE-OFF ASSEMBLY - Defroster air	1	
-8	62962-00		BOX ASSEMBLY - Distributor, cabin heat	1	
-9	62969-00		GASKET - Distributor box	1	
-10	36558-07		LINK ASSEMBLY - Cabin heat box	1	28-7911001 thru 28-7911195
-11	36558-02		LINK - Cabin heat box	1	28-7911196 and up
-12	36558-04		LINK - Cabin heat box	1	28-7911196 and up
-13	62178-00		LINK - Cabin heat box	1	
-14	67705-00		GATE - Defroster valve	2	
-15	69274-00		PLATE - Defroster valve	2	
-16	69273-00		HOUSING - Defroster valve	2	
-17	63633-161		HOSE - Air inlet	1	
-18	63633-18		HOSE - Cabin heat	1	
-19	63633-60		HOSE - Defroster	1	
-20	63633-15		HOSE - Defroster	1	
-21	63633-55		HOSE - Defroster	1	
-22	63633-56		HOSE - Defroster	2	
-23	66856-09		CABLE ASSEMBLY - Defroster control (40")	1	
-24	66856-10		CABLE ASSEMBLY - Defroster valve	1	
-25	66856-06		CABLE ASSEMBLY - Cabin heat control, complete	1	
-26	554 772		CLAMP - Hose (SAE TY A-3)	4	
-27	554 896		CLAMP - Hose (SAE TY A-1 1/2)	2	
-28	454 985		CLAMP - Hose (SAE TY A-1)	8	
-29	69275-00		CLAMP - Defroster cable	1	
-30	494 123		WASHER - Spring (35)	4	
-31	66980-00		KNOB - Cabin heat and defroster	2	
-32	63882-31		SLEEVE - Defroster cable	2	
-33	70371-03		STUD - Swivel fitting	1	
-34	404 100		NUT - (AN310-3)	1	
	407 564		WASHER - (AN960-10)	1	
	424 051		COTTERPIN - (MS24665-132)	1	
-35	419 681		SCREW - Heat duct (PS10012-4)	38	
			WASHER - Heat duct (MS27129-1)	38	
-36	70371-02		FITTING - Swivel	1	
-37	66789-00		PLATE - Firewall seal	2	
-38	22105-03		GASKET - Firewall seal	1	
-39	68770-14		GROMMET - Firewall seal	2	
-40	62833-104		WASHER	2	
-41	484 841		O-RING - (NAS1593-213)	2	
-42	65318-00		OUTLET - Defroster air	2	
-43	69279-00		TUBE - Defroster valve	4	

When ordering, always specify Part Number, Description, and Serial Number of Aircraft

PIPER AIRCRAFT
PA-28-236 DAKOTA
AIRPLANE PARTS CATALOG

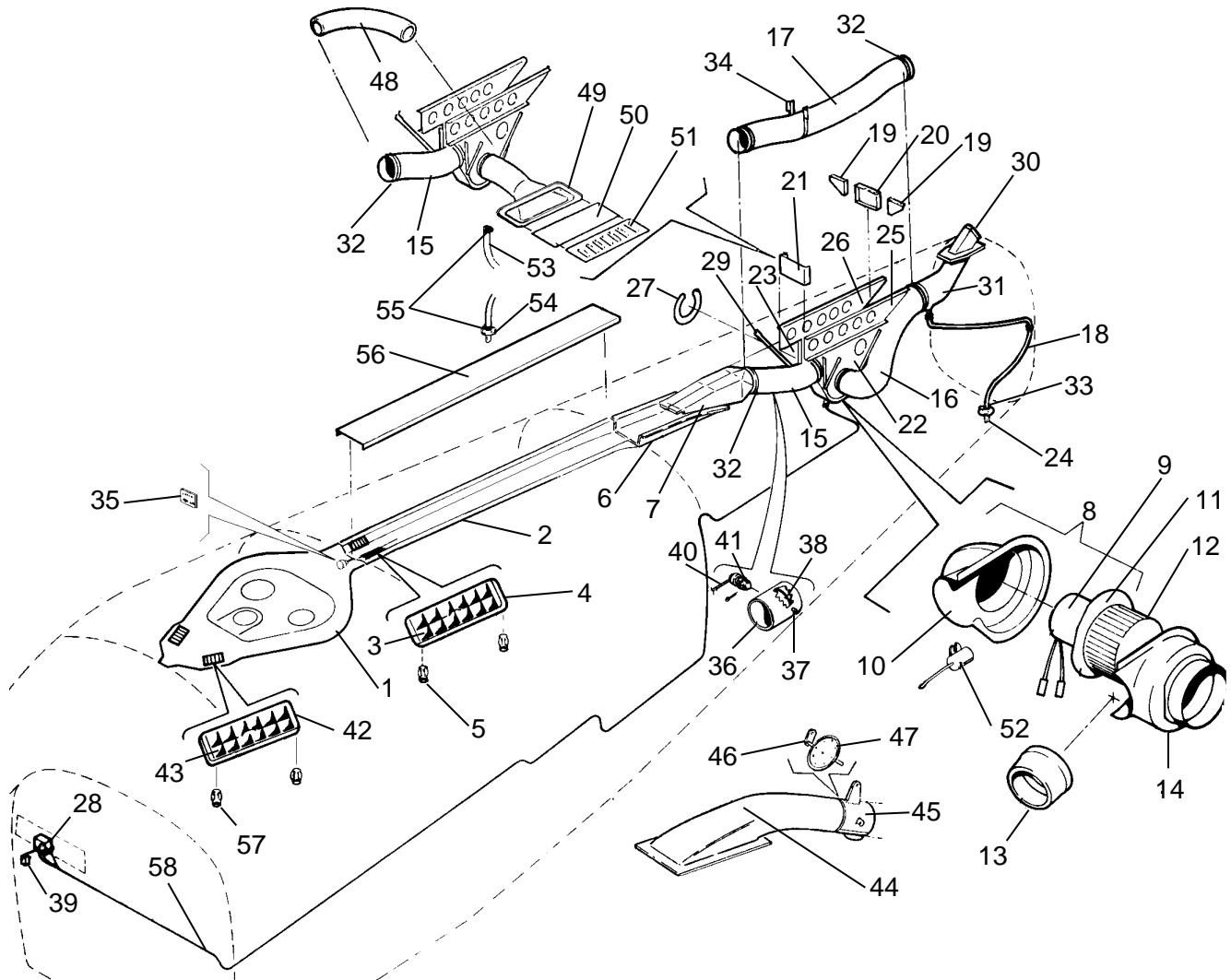


Figure 58. Fresh Air Ventilation Installation

**PIPER AIRCRAFT
PA-28-236 DAKOTA
AIRPLANE PARTS CATALOG**

CODE EXPLANATIONS FOR FIGURE 58

PIPER AIRCRAFT PA-28-236 DAKOTA AIRPLANE PARTS CATALOG

Figure and Index Number	Part Number	Code	Nomenclature	No. Req.	Serial Numbers Affected
58-	76304		DRAWING - Fresh Air Ventilation System Installation		28-7911001 thru 28-7911395
	79853		DRAWING - Fresh Air Ventilation System Installation		28-8011001 and up
	79278		DRAWING - Ram Air Ventilation Installation		28-7911001 thru 28-7911395
	79273		DRAWING - Blower Ventilation Installation		28-7911001 thru 28-7911395
	36983		DRAWING - Ram Air and Blower Ventilation Installation		28-8011001 and up
-1	76496-12		PANEL ASSEMBLY - Cabin light with speaker hole	1	28-7911001 and up
-2	76307-07		DUCT ASSEMBLY - Center ventilation	1	28-7911001 thru 28-7911306
	79855-02		DUCT ASSEMBLY - Center ventilation	1	28-7911307 and up
-3	473 187		* LOUVER - (136-1M), silver	2	
	473 195		* LOUVER - (336-1HS), black	2	
-4	461 386		* FRAME - (173M), silver	2	
	461 391		* FRAME - (173B), black	2	
-5	406 424		* NUT - (C2733-040-1)	8	
-6	76308-00		DUCT - Ventilation bulkhead	1	28-7911001 thru 28-7911306
-7	79192-00		INTERCONNECT - Ventilation	1	28-7911001 thru 28-7911306
-8	99642-03		BLOWER ASSEMBLY - Fresh air	1	
-9	475 210		* MOTHURR ASSEMBLY - (UN-YY1S062)	1	
-10	37997-02		* COVER - Fresh air blower	1	
-11	99641-00		* PLATE ASSEMBLY - Mothurr mounting	1	
-12	452 935		BLOWER - (AE424-316-1)	1	
-13	99633-00		DUCT - Hose connect	1	
-14	79264-00		COVER ASSEMBLY - Fresh air blower	1	
-15	63633-148		HOSE	1	
-16	63633-126		HOSE	1	28-7911001 thru 28-7911395
-17	63633-154		HOSE	1	28-7911001 thru 28-7911395
-18	63904-89		TUBE - Drain	1	28-7911001 thru 28-7911395
-19	79035-00		GUSSET ASSEMBLY - Intercostal	2	
-20	79286-00		BRACKET - Intercostal, aft	1	
-21	79285-00		BRACKET - Intercostal, forward	1	
-22	79281-00		HANGER ASSEMBLY - Blower, left	1	
-23	79282-00		HANGER ASSEMBLY - Blower, right	1	
-24	79290-00		TUBE ASSEMBLY - Drain	1	28-7911001 thru 28-7911395
-25	79280-00		INTERCOSTAL - Blower bracket support, left	1	
-26	79287-00		INTERCOSTAL - Blower bracket support, right	1	
-27	79284-00		RETAINER - Housing	1	
-28	588 109		SWITCH - (MS35058-21)	1	
-29	79303-00		BRACE - Hanger	2	
-30	79270-00		FITTING ASSEMBLY - Air duct, upper	1	28-7911001 thru 28-7911395
-31	79271-00		FITTING ASSEMBLY - Air duct, lower	1	28-7911001 thru 28-7911395
-32	554 640		CLAMP - (SAE TY A 4 5/8)	4	
-33	554 861		CLAMP - (SAE TY F-4)	2	28-7911001 thru 28-7911395
-34	79292-00		STRAP - Fresh air hose support	1	
-35	69669-77		PLACARD - Cabin air	1	
-36	35954-02		FLAPPER VALVE ASSEMBLY - Fresh air intake	1	28-7911001 thru 28-7911306
-37	69885-02		* SHAFT ASSEMBLY	1	28-7911001 thru 28-7911306
-38	35954-02		* FLAPPER ASSEMBLY	1	28-7911001 thru 28-7911306
-39	454 709		CIRCUIT BREAKER - (PS50120-1-9) 20 amp, Mech. Product Inc.	1	
	454 743		CIRCUIT BREAKER - (PS50120-3-36) 20 amp, Wood Electric Corp.	1	28-7911329 and up
-40	63902-25		CABLE ASSEMBLY - Fresh air flapper	1	28-7911001 thru 28-7911306
	554 365		CABLE ASSEMBLY - Fresh air flapper (PS50146-2-3)	1	28-7911307 and up

When ordering, always specify Part Number, Description, and Serial Number of Aircraft

**PIPER AIRCRAFT
PA-28-236 DAKOTA
AIRPLANE PARTS CATALOG**

Figure and Index Number	Part Number	Code	Nomenclature	No. Req.	Serial Numbers Affected
58-41	70371-02		FITTING - Swivel	1	
	70371-03		STUD - Swivel fitting	1	
	407 564		WASHER - (AN960-10)	1	
	404 392		NUT - (AN320-3)	1	
	424 051		COTTER PIN - (MS24665-132)	1	
-42	461 386		FRAME - (173M), silver	2	
	461 391		FRAME - (173B), black	2	
-43	473 187		LOUVER - (136-1M), silver	2	
	473 195		LOUVER - (336-1HS), black	2	
-44	69992-07		DUCT AND FLAPPER VALVE ASSEMBLY - Aft	1	28-7911307 and up
-45	35954-02		* FLAPPER VALVE ASSEMBLY - Fresh air intake	1	28-7911307 and up
-46	69885-02		** SHAFT ASSEMBLY	1	28-7911307 and up
-47	35954-03		** FLAPPER ASSEMBLY	1	28-7911307 and up
-48	63633-127		HOSE - Air vent	1	28-8011001 and up
-49	36615-05		DUCT ASSEMBLY - Air vent (with filter)	1	28-8011001 and up
-50	36616-03		FILTER - Air vent	1	28-8011001 and up
-51	36612-02		LOUVER - Air vent	1	28-8011001 and up
-52	63897-06		CAPACITOR ASSEMBLY	1	28-8011001 and up
-53	63904-112		HOSE - Drain	1	28-8011001 and up
-54	79290-00		TUBE ASSEMBLY - Drain	1	28-8011001 and up
-55	554 861		CLAMP - (SAE TY F-4)	1	28-8011001 and up
-56	76309-00		CHANNEL - Ventilation	1	28-7911001 thru 28-7911306
	76309-02		CHANNEL - Ventilation	1	28-7911307 and up
-57	406 424		NUT - (C2733-040-1)	8	
-58	79293-04		CABLE - Blower	1	

When ordering, always specify Part Number, Description, and Serial Number of Aircraft

PIPER AIRCRAFT
PA-28-236 DAKOTA
AIRPLANE PARTS CATALOG

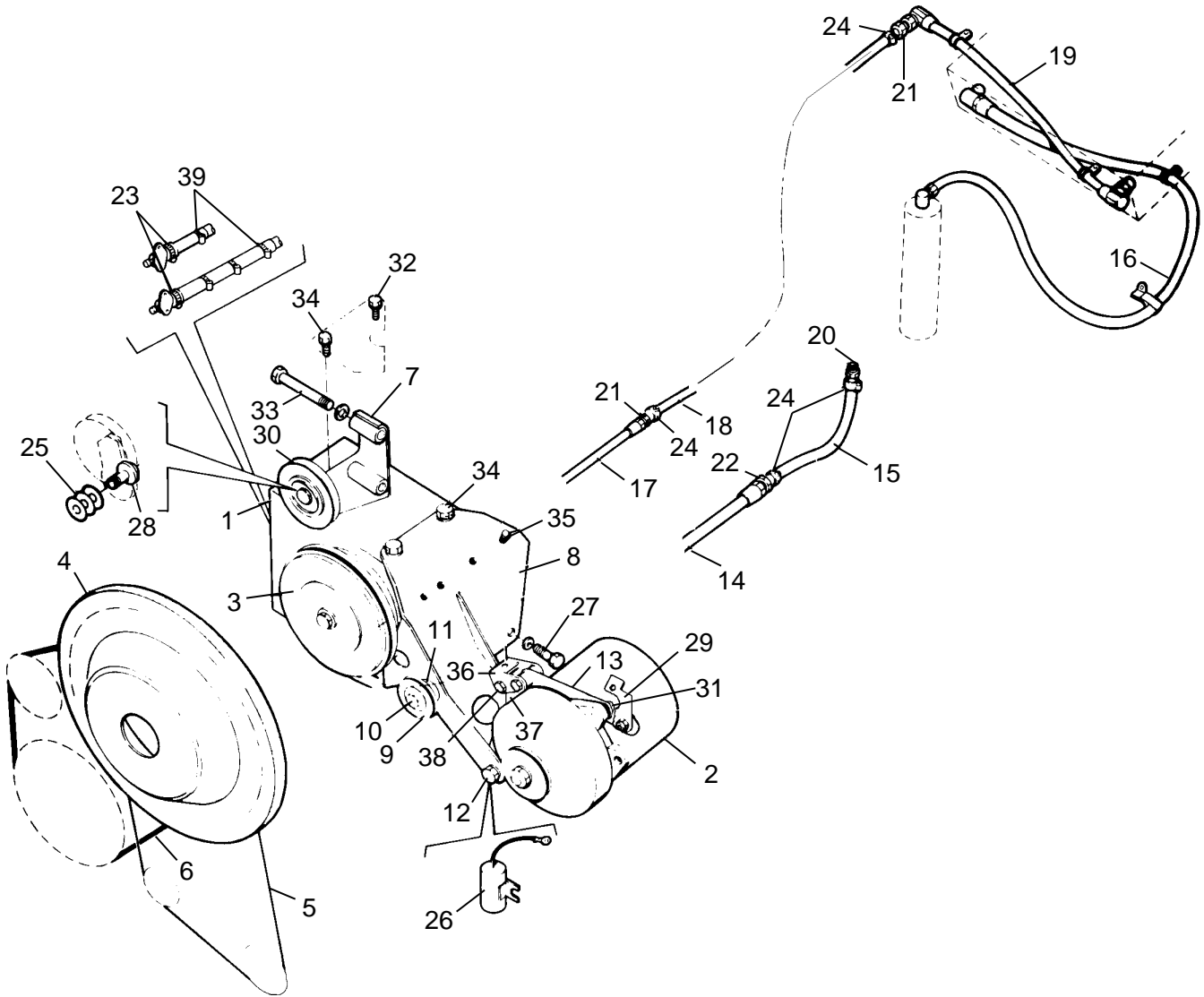


Figure 59. Air Conditioning Compressor, Refrigerant Lines and Alternator Installation

**PIPER AIRCRAFT
PA-28-236 DAKOTA
AIRPLANE PARTS CATALOG**

CODE EXPLANATIONS FOR FIGURE 59

- A - See Figure 68 for component parts.
- B - Used if Refrigerant Line Fitting Replacement Kit 764 244 has not been installed.
- C - Order parts listed for serial numbers 28-8211019 and up if Refrigerant Line Fitting Replacement Kit 764 244 has been installed per Service Spares Letter.

PIPER AIRCRAFT PA-28-236 DAKOTA AIRPLANE PARTS CATALOG

Figure and Index Number	Part Number	Code	Nomenclature	No. Req.	Serial Numbers Affected
59-	35942 99576		DRAWING - Air Conditioning Compressor and Alternator Installation DRAWING - Air Conditioning Refrigerant Lines Installation		
-1	555 412		COMPRESSOR ASSEMBLY - (F20916764)	1	
-2	551 983	A	ALTERNATOR ASSEMBLY - Prestolite (ALY-6422)	1	
-3	554 761		CLUTCH ASSEMBLY - (10616)	1	
-4	462 112		RING GEAR ASSEMBLY - (LW16581)	1	
-5	452 823		BELT - (PS10069-1-3)	1	
-6	452 824		BELT - (PS10069-1-4)	1	
-7	99763-00		BRACKET ASSEMBLY - Compressor, upper	1	
-8	79584-08		BRACKET ASSEMBLY - Compressor, lower	1	
-9	99072-00		* PULLEY ASSEMBLY - Alternator drive	1	
-10	553 230		* BOLT - (NAS2906-20)	1	
	62833-82		* WASHER - Alternator pulley	2	
	79558-02		* NUT - Alternator pulley	1	
-11	95061-151		* BUSHING - Alternator idler pulley	1	
-12	401 394		* BOLT - (AN6-13A)	2	
	407 567		* WASHER - (AN960-616)	2	
	404 890		* NUT - (MS20365-624C)	2	
-13	79886-04		ARM ASSEMBLY - Alternator support	1	
-14	99592-09		HOSE ASSEMBLY - Suction	1	
-15	63904-72		HOSE - Suction	1	
-16	565 578		HOSE ASSEMBLY - Receiver dehydrator to condenser	1	
-17	99592-08		HOSE ASSEMBLY - Discharge	1	
-18	63904-80		HOSE - Discharge (length 117")	1	
-19	565 576		HOSE ASSEMBLY - Discharge (length 25")	1	
-20	451 906	C	ADAPTER - (PS10022-6-4)	1	28-7911001 thru 28-8211019
	561 012		FITTING - (FC9158-0808S)	1	28-8211020 and up
	584 258		REDUCER - (661FHD-8-10)	1	28-8211020 and up
-21	451 907	C	ADAPTER - (PS10022-6-13)	2	28-7911001 thru 28-8211019
	561 013		FITTING - (FC9158-0606S)	2	28-8211020 and up
	584 256		REDUCER - (42F-8-6)	2	28-8211020 and up
-22	451 908	C	ADAPTER - (PS10022-6-14)	1	28-7911001 thru 28-8211019
	561 012		FITTING - (FC9158-0808S)	1	28-8211020 and up
	584 257		REDUCER - (42F-10-8)	1	28-8211020 and up
-23	554 659		CLAMP - (SAE TY F-10)	2	
-24	554 678	B	CLAMP - (H-6)	4	28-7911001 thru 28-8211019
-25	62833-83		WASHER	3	
-26	63897-06		CAPACITOR ASSEMBLY	1	
-27	401 988		BOLT - (MS20074-06-11)	2	
	407 587		WASHER - (AN960-616L)	2	
-28	400 616		BOLT - (AN8H7A)	1	
	407 569		WASHER - (AN960-816)	1	
-29	99580-00		CLIP ASSEMBLY - Left front baffle	1	
-30	99080-00		IDLER PULLEY ASSEMBLY - Compressor drive	1	
-31	401 970		BOLT - (MS20074-05-05)	1	
	407 566		WASHER - (AN960-516)	1	
-32	401 987		BOLT - (MS20074-06-06)	1	
	407 587		WASHER - (AN960-616L)	1	
-33	401 461		BOLT - (AN6H22A)	2	
	407 046		WASHER - Lock (MS35338-46)	2	
	407 567		WASHER - (AN960-616)	4	
	407 587		WASHER - (AN960-616L)	2	

When ordering, always specify Part Number, Description, and Serial Number of Aircraft

**PIPER AIRCRAFT
PA-28-236 DAKOTA
AIRPLANE PARTS CATALOG**

Figure and Index Number	Part Number	Code	Nomenclature	No. Req.	Serial Numbers Affected
59-34	401 986		BOLT - (MS20074-06-05)	3	
	407 587		WASHER - (AN960-616L)	3	
-35	401 970		BOLT - (MS20074-05-05)	4	
	407 586		WASHER - (AN960-516L)	4	
-36	79886-03		BRACKET ASSEMBLY - Alternator	1	
-37	79886-07		BRACKET ASSEMBLY - Alternator	1	
-38	400 009		BOLT - (AN4-14A)	2	
	407 585		WASHER - (AN960-416L)	4	
	404 888		NUT - (MS20365-428C)	2	
-39	454 921		CLAMP - (SAE TY F-8)	4	

When ordering, always specify Part Number, Description, and Serial Number of Aircraft

PIPER AIRCRAFT
PA-28-236 DAKOTA
AIRPLANE PARTS CATALOG

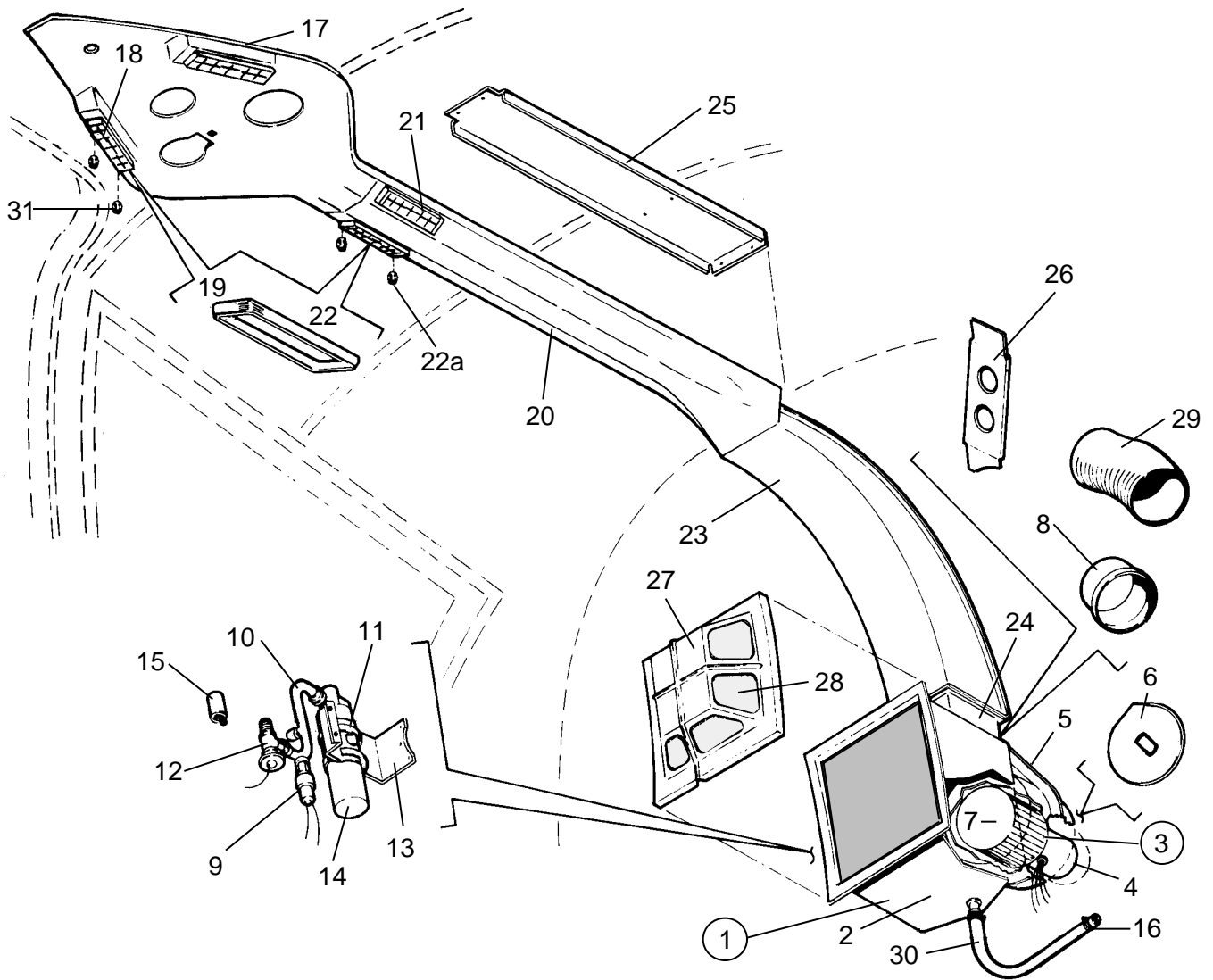


Figure 60. Air Conditioning Duct and Evaporator Installation

**PIPER AIRCRAFT
PA-28-236 DAKOTA
AIRPLANE PARTS CATALOG**

CODE EXPLANATIONS FOR FIGURE 60

- A - If interconnect duct assembly and aft cabin bulkhead duct are bonded (not riveted) to aft cabin bulkhead, order part listed for serial numbers 28-7911307 and up.

PIPER AIRCRAFT PA-28-236 DAKOTA AIRPLANE PARTS CATALOG

Figure and Index Number	Part Number	Code	Nomenclature	No. Req.	Serial Numbers Affected
60-	76308		DRAWING - Air Conditioning Duct Installation		28-7911001 thru 28-7911306
	76493		DRAWING - Air Conditioning Duct Installation		28-7911307 and up
	99292		DRAWING - Evaporator Bulkhead Assembly		28-7911001 thru 28-7911306
	79849		DRAWING - Evaporator Bulkhead Assembly		28-7911307 and up
-1	99640-00		EVAPORATOR ASSEMBLY - Air conditioning	1	
-2	99640-03		* EVAPORATOR AND HOUSING ASSEMBLY - Air conditioning	1	
-3	99642-03		* BLOWER ASSEMBLY - Evaporator	1	
-4	475 210		** MOTOR ASSEMBLY - Evaporator blower (UN-YY1S062)	1	
-5	37997-02		** COVER - Evaporator blower	1	
-6	99641-00		** PLATE ASSEMBLY - Motor mounting	1	
-7	452 935		* BLOWER - (AE424-316-1)	1	
-8	99633-00		* DUCT - Hose connect	1	
-9	99646-02		* SWITCH ASSEMBLY - Pressure	1	
-10	589 688		* TUBE ASSEMBLY - Evaporator inlet (37245-6-6S)	1	
-11	554 926		* CLAMP - (SAE TY F-44)	2	
-12	99648-00		* VALVE ASSEMBLY - Evaporator expansion	1	
-13	99650-00		* BRACKET - Receiver dehydrator	1	
-14	456 615		* RECEIVER DEHYDRATOR - (1106)	1	
-15	99661-00		* CLAMP - Bulb, expansion valve	1	
-16	554 861		CLAMP - (SAE TY F-4)	2	
-17	76496-12		PANEL ASSEMBLY - Cabin light and air conditioning duct (with speaker cutout)	1	28-7911001 and up
-18	473 187		LOUVER - (136-1M), silver	2	
	473 195		LOUVER - (336-1HS), black	2	
-19	461 386		FRAME - (173M), silver	2	
	461 391		FRAME - (173B), black	2	
-20	99541-02		DUCT ASSEMBLY - Air conditioning	1	28-7911001 thru 28-7911306
	79855-02		DUCT ASSEMBLY - Air conditioning	1	28-7911307 and up
-21	473 187		* LOUVER - (136-1M), silver	2	
	473 195		* LOUVER - (336-1HS), black	2	
-22	461 386		* FRAME - (173M), silver	2	
	461 391		* FRAME - (173B), black	2	
-22a	406 424		* NUT - (C2733-040-1)	8	
-23	99507-00	A	DUCT ASSEMBLY - Aft cabin bulkhead	1	28-7911001 thru 28-7911306
	79839-03		DUCT ASSEMBLY - Aft cabin bulkhead	1	28-7911307 and up
-24	99634-00	A	DUCT ASSEMBLY - Interconnect	1	28-7911001 thru 28-7911306
	79840-04		DUCT ASSEMBLY - Interconnect	1	28-7911307 and up
-25	76309-00		CHANNEL - Air conditioning	1	28-7911001 thru 28-7911306
	76309-02		CHANNEL - Air conditioning	1	28-7911307 and up
-26	99539-00		SUPPORT ASSEMBLY - Evaporator box	1	
-27	99550-02		COVER - Evaporator filter	1	
-28	99644-00		FILTER - Evaporator	1	
-29	63633-100		HOSE - Air conditioning	1	
-30	63913-199		HOSE - Evaporator drain	1	
-31	406 424		NUT - (C2733-040-1)	8	

When ordering, always specify Part Number, Description, and Serial Number of Aircraft

PIPER AIRCRAFT
PA-28-236 DAKOTA
AIRPLANE PARTS CATALOG

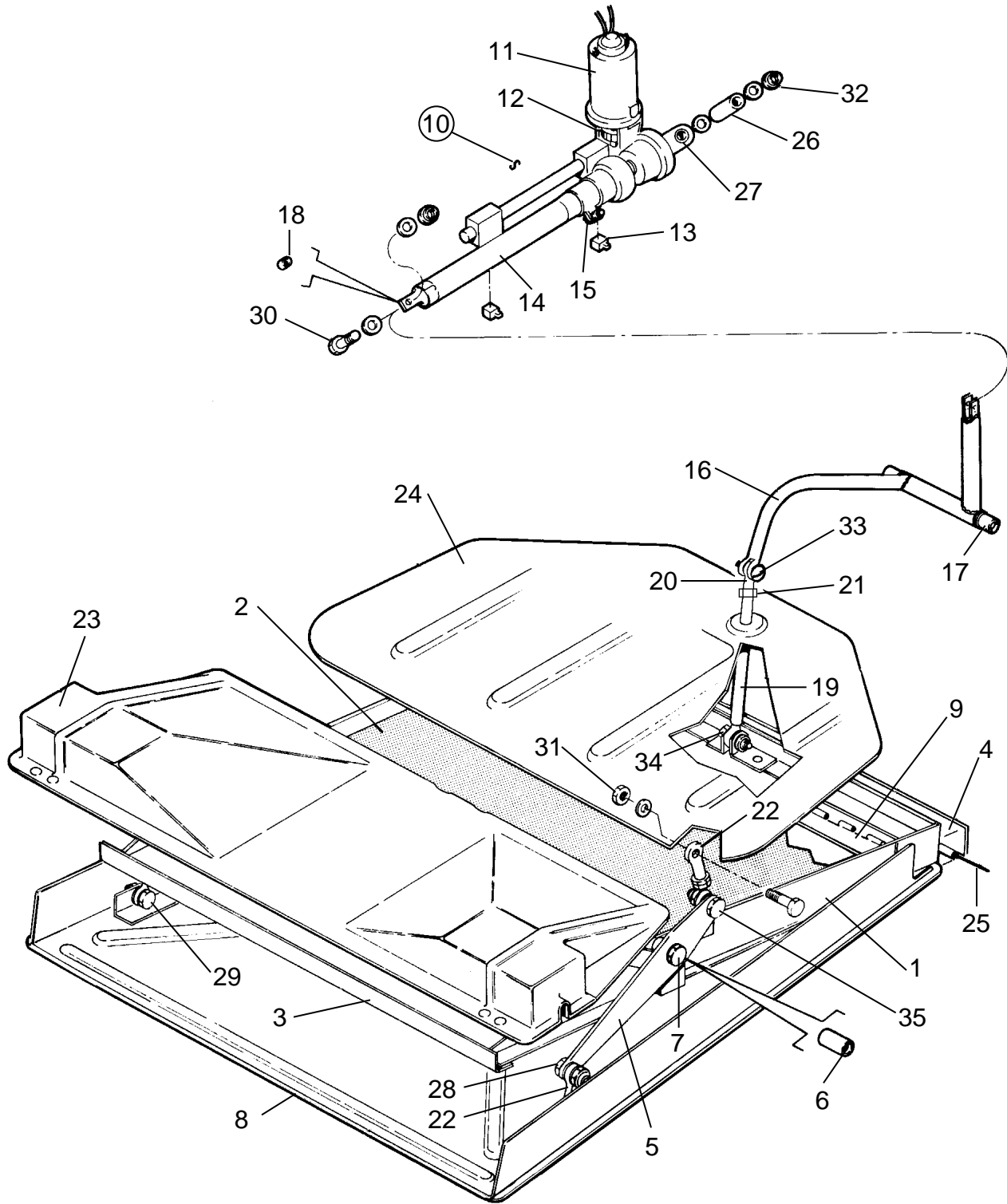


Figure 61. Air Conditioning Condenser Installation

Reissued: June 1, 1990

**PIPER AIRCRAFT
PA-28-236 DAKOTA
AIRPLANE PARTS CATALOG**

CODE EXPLANATIONS FOR FIGURE 61

**PIPER AIRCRAFT
PA-28-236 DAKOTA
AIRPLANE PARTS CATALOG**

Figure and Index Number	Part Number	Code	Nomenclature	No. Req.	Serial Numbers Affected
61-	99855		DRAWING - Air Conditioning Condenser Installation		
-1	99387-00		CONDENSER ASSEMBLY - Air conditioning (complete)	1	
	99387-04		CONDENSER ASSEMBLY - (Alternate vender)	1	
-2	555 457		* CONDENSER - (1E-1415C)	1	
-3	99263-00		* HINGE ASSEMBLY - Condenser door	1	
-4	99275-02		* HINGE - Half	1	
-5	99495-00		* BELLCRANK ASSEMBLY - Condenser door mechanism	2	
-6	65003-56		* BUSHING	2	
-7	401 273		* BOLT - (AN3-14A)	2	
	407 584		* WASHER - (AN960-10L)	4	
	404 887		* NUT - (MS20365-1032C)	2	
-8	99271-00		DOOR ASSEMBLY - Louver	1	
-9	99275-02		* HINGE - Half	1	
-10	99854-00		TRANSMISSION ASSEMBLY - Condenser door actuating (complete)	1	
-11	761 519		* MOTOR ASSEMBLY - Transmission (C145-200)	1	
-12	753 085		* UNIVERSAL ASSEMBLY - (B100-06)	1	
-13	757 718		* SWITCH - Limit (V3L-3-D9)	2	
-14	99853-00		* TUBE ASSEMBLY - Actuator	1	
-15	554 714		* CLAMP - (AN741-8P)	1	
-16	99867-00		BELLCRANK ASSEMBLY - Condenser	1	
-17	452 570		* BUSHING - Bronze (FF565-2)	2	
-18	452 571		BEARING - (AA225-1)	1	
-19	99557-00		ROD ASSEMBLY - Condenser push	1	
-20	452 558		* BEARING - Rod end (PS10020-5-1R)	2	
-21	400 224		* NUT - (AN315-3R)	1	
-22	99561-00		BEARING ASSEMBLY - Condenser door actuating	4	
-23	99572-04		COVER ASSEMBLY - Forward	1	
-24	99569-00		COVER ASSEMBLY - Aft	1	
-25	99275-04		PIN - Hinge	1	
-26	65165-87		TUBE	2	
-27	452 561		BEARING - (AA304-20)	1	
-28	400 861		BOLT - (AN23-13A)	2	
	407 564		WASHER - (AN960-10)	2	
	62833-101		WASHER - (.56 O.D.)	2	
	404 887		NUT (MS20365-1032C)	2	
-29	400 861		BOLT - (AN23-13A)	2	
	407 564		WASHER - (AN960-10)	4	
	62833-101		WASHER - (.56 O.D.)	2	
	404 887		NUT - (MS20365-1032C)	2	
-30	400 861		BOLT - (AN23-13A)	1	
	407 564		WASHER - (AN960-10)	1	
	404 887		NUT - (MS20365-1032C)	1	
-31	400 441		BOLT - (AN3-7A)	2	
	407 564		WASHER - (AN960-10)	6	
	404 887		NUT - (MS20365-1032C)	2	
-32	401 334		BOLT - (AN4-6A)	1	
	407 565		WASHER - (AN960-416)	3	
	404 888		NUT - (MS20365-428C)	1	
-33	400 861		BOLT - (AN23-13A)	1	
	407 564		WASHER - (AN960-10)	1	
	404 887		NUT - (MS20365-1032C)	1	
-34	401 269		BOLT - (AN3-10A)	1	
	407 564		WASHER - (AN960-10)	3	
	404 887		NUT - (MS20365-1032C)	1	
-35	400 440		BOLT - (AN3-6A)	2	
	407 564		WASHER - (AN960-10)	4	
	404 835		NUT - (MS20364-1032C)	2	

When ordering, always specify Part Number, Description, and Serial Number of Aircraft

**PIPER AIRCRAFT
PA-28-236 DAKOTA
AIRPLANE PARTS CATALOG**

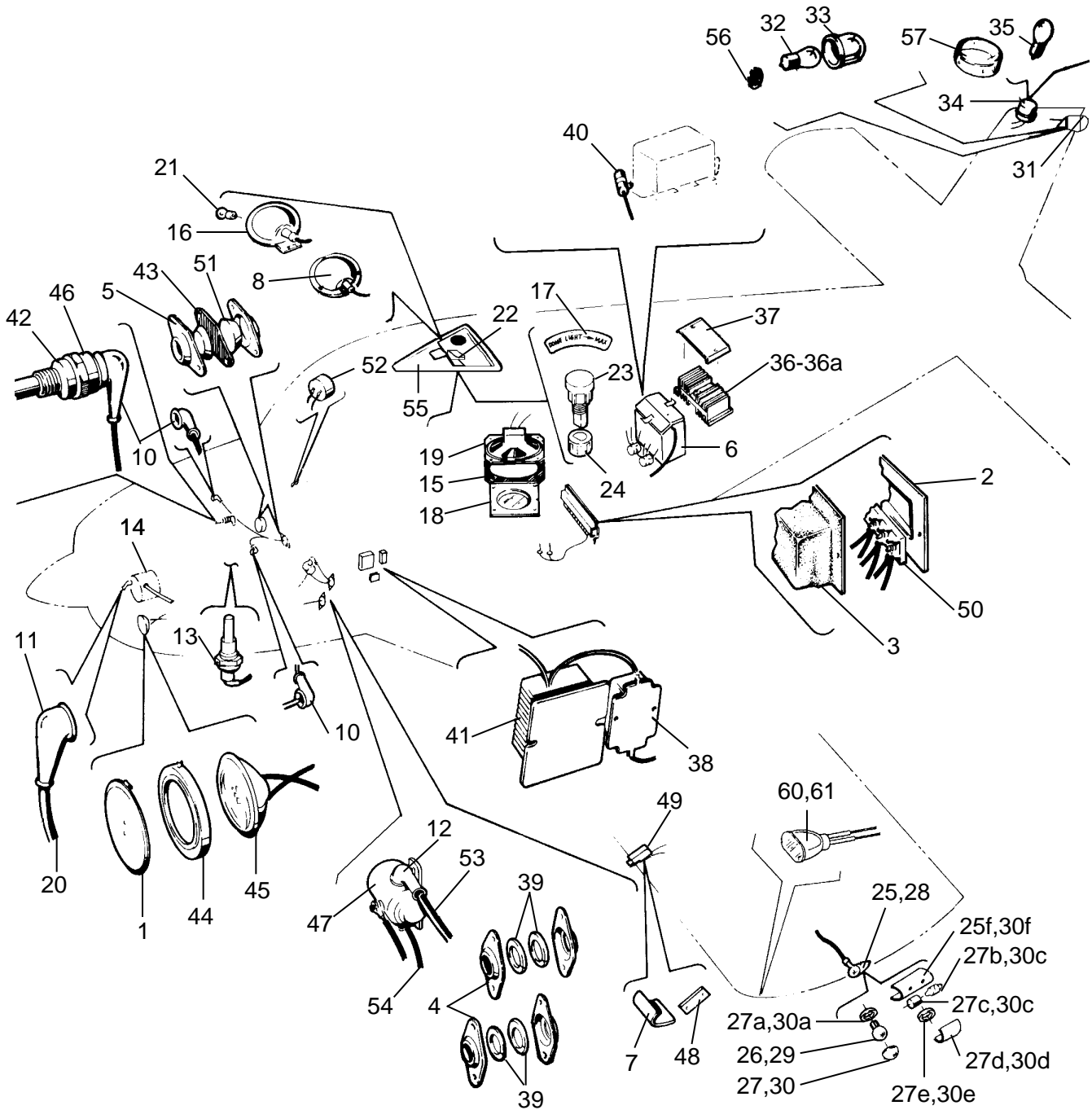


Figure 62. Electrical System Installation

Reissued: June 1, 1990

**PIPER AIRCRAFT
PA-28-236 DAKOTA
AIRPLANE PARTS CATALOG**

CODE EXPLANATIONS FOR FIGURE 62

- A - See Figure 65 for component parts.
- B - See Figure 69 if strobe lights are installed.
- C - Without cutouts.
- D - With cutouts, but less radio speaker cutout.
- E - with cutouts.
- F - Refer to Figure 58 if fresh air ventilation is installed or Figure 60 if air conditioning is installed.
- G - Used on serial numbers 28-7911001 to 28-8211008 inclusive. Also used on serial numbers 28-8211009 and up if aircraft complies with United Kingdom requirements.
- H - Used if a Chrysler alternator is installed.
- J - Used if recognition lights are installed.
- K - This part is no longer available. Order Alternator Control Service Replacement Kit 764 928V as a replacement.
- L - Used when auxiliary vacuum system installed.

PIPER AIRCRAFT PA-28-236 DAKOTA AIRPLANE PARTS CATALOG

Figure and Index Number	Part Number	Code	Nomenclature	No. Req.	Serial Numbers Affected
62-	76460		DRAWING - Electrical System Installation		
-1	12761-02		COVER ASSEMBLY - Landing light opening	1	
-2	67404-02		COVER - Terminal strip	1	
-3	67404-03		COVER - Terminal strip	1	
-4	18321-00		PLATE - Firewall seal	2	
-5	66789-00		PLATE - Firewall seal	2	
-6		A	BATTERY - Installation	1	
-7	450 745		PLATE - Lift detector mounting (C-52207-2)	1	
-8	572 646		LIGHT ASSEMBLY - Flood, cabin (01-0770339-03)	1	
-9	87742-02	J	LIGHT ASSEMBLY - Recognition	2	28-8511001 and up
-10	23969-02		NIPPLE - Electrical	5	
-11	23969-03		NIPPLE - Electrical	1	
-12	66580-02		NIPPLE - Terminal (476 695)	1	
-13	550 549		SENDER UNIT - Cylinder head temperature (333B)	1	
-14	69325-122	H	WIRE ASSEMBLY - Ground (9.3 L.)	1	
-15	99745-00		GASKET - Radio speaker	1	
-16	572 582		LIGHT ASSEMBLY - Panel (A300-W-14)	1	
	12715-00		LENS - Dome light	1	28-7911001 thru 28-8611001
-17	69669-20		PLACARD - Dome light maximum	1	
-18	99198-00		GRILL - Radio speaker	1	
-19	585 015		SPEAKER - Radio, circular (6-FU3211)	1	
-20	78140-172		WIRE ASSEMBLY - Alternator to ammeter (109.0 L.)	1	
-21	472 038		BULB - (93)	1	
-22	484 375		RELAY - Microphone (11F-2300G-SIL)	1	
-23	95228-00		DIMMER ASSEMBLY - Potentiometer	1	
-24	571 136		KNOB - (PS10067-4-1)	1	
-25	472 665	B	LIGHT - Red (PS50113-2)	1	28-7911001 thru 28-8111080
	572 559	B	LIGHT - Red (A675-PR-14)	1	28-8111081 and up
-25a	755 075	B	* GASKET - (W1283)	1	28-8111081 and up
-25b	761 256	B	* LAMP - Navigation light assembly (A508) 14 volt	1	28-8111081 and up
-25c	761 426	B	* SOCKET ASSEMBLY - Navigation light (A507)	1	28-8111081 and up
-25d	761 255	B	* LENS - Navigation light (A615)	1	28-8111081 and up
-25e	755 096	B	* GASKET - Navigation light (A616)	1	28-8111081 and up
-25f	762 636	B	* RETAINER - Navigation light (A674)	1	28-8111081 and up
-26	751 381	B	* BULB - (1512)	1	
-27	751 202	B	* LENS - (Red)	1	
-28	472 666	B	LIGHT - Green (PS50113-1)	1	28-7911001 thru 28-8111080
	572 562	B	LIGHT - Green (A675-PG-14)	1	28-8111081 and up
-29	751 381	B	* BULB - (1512)	1	
-30	751 201	B	* LENS - Green	1	
-30a	755 075	B	* GASKET - (W1283)	1	28-8111081 and up
-30b	761 256	B	* LAMP - Navigation light assembly (A508) 14 volt	1	28-8111081 and up
-30c	761 426	B	* SOCKET ASSEMBLY - Navigation light (A507)	1	28-8111081 and up
-30d	761 255	B	* LENS - Navigation light (A615)	1	28-8111081 and up
-30e	755 096	B	* GASKET - Navigation light (A616)	1	28-8111081 and up
-30f	762 636	B	* RETAINER - Navigation light (A674)	1	28-8111081 and up
-31	472 736	G	LIGHT - Tail (A2064-1073)	1	
-32	753 431	G	* BULB - (1073)	1	
-33	751 203	G	* LENS - White	1	
-34	452 410		BEACON - Rotating (WRML-12 Whelan)	1	
	452 465		BEACON - Rotating (Grimes)	1	
-35	758 402		* BULB - Rotating beacon (WRM1940)	1	
-36	79412-11		DIODE AND COOLER ASSEMBLY	1	28-7911001 thru 28-8211015
	79412-11		DIODE AND COOLER ASSEMBLY	1	28-8211016 and up
-36a	467 067		* INSULATOR - Cooler (103)	4	
-37	79414-00		COVER - Diode cooler	1	

When ordering, always specify Part Number, Description, and Serial Number of Aircraft

**PIPER AIRCRAFT
PA-28-236 DAKOTA
AIRPLANE PARTS CATALOG**

Figure and Index Number	Part Number	Code	Nomenclature	No. Req.	Serial Numbers Affected
62-38	450 397	K	RELAY - Overvoltage (PS50034-1)	1	28-7911001 thru 28-8411007
-39	63915-05		DISC - Firewall seal	2	
-40	454 083		CAPACITOR - (AR-1)	1	
-41	68804-03	K	REGULATOR ASSEMBLY - Voltage	1	28-7911001 thru 28-8411007
	68804-04		CONTROL ASSEMBLY - Voltage	1	28-8411008 and up
-42	462 012		GASKET - (AH-1522)	1	
-43	68771-03		GASKET - Firewall seal	1	
-44	65372-00		RETAINER ASSEMBLY - Landing light	1	
-45	472 661		LIGHT - Landing (PS10008-4509) 100W, 12V.	1	
-46	550 487		GAUGE - Engine unit, oil temperature (362-EW)	1	
-47	99130-02		SOLENOID - Starter	1	
-48	450 741		DECAL - Lift detector (C52207-3)	1	
-49	450 742		DETECTOR - Lift (C52207-4)	1	
-50	488 545		STRIP - Terminal (MS25123-1-12)	1	
-51	68770-03		GROMMET - Firewall seal	2	
-52	35214-00		HORN ASSEMBLY - Stall warning (565-407) (PS50178-3)	1	
-53	63862-136		WIRE ASSEMBLY - Battery to solenoid (163.50)	1	
-54	63862-137		WIRE ASSEMBLY - Solenoid to starter (33.50)	1	28-7911001 thru 28-8211013
	63862-16		WIRE ASSEMBLY - Solenoid to starter (37.00)	1	28-8211014 and up
-55	99222-02		PANEL ASSEMBLY - Cabin light, white	1	
	99222-12	C,F	PANEL ASSEMBLY - Cabin light, white	1	
	99222-13	D,F	PANEL ASSEMBLY - Cabin light, white	1	
-56	453 639		PLUG - Button (HS50726)	1	
-57	63264-00		COVER - Fin	1	

When ordering, always specify Part Number, Description, and Serial Number of Aircraft

PIPER AIRCRAFT
PA-28-236 DAKOTA
AIRPLANE PARTS CATALOG

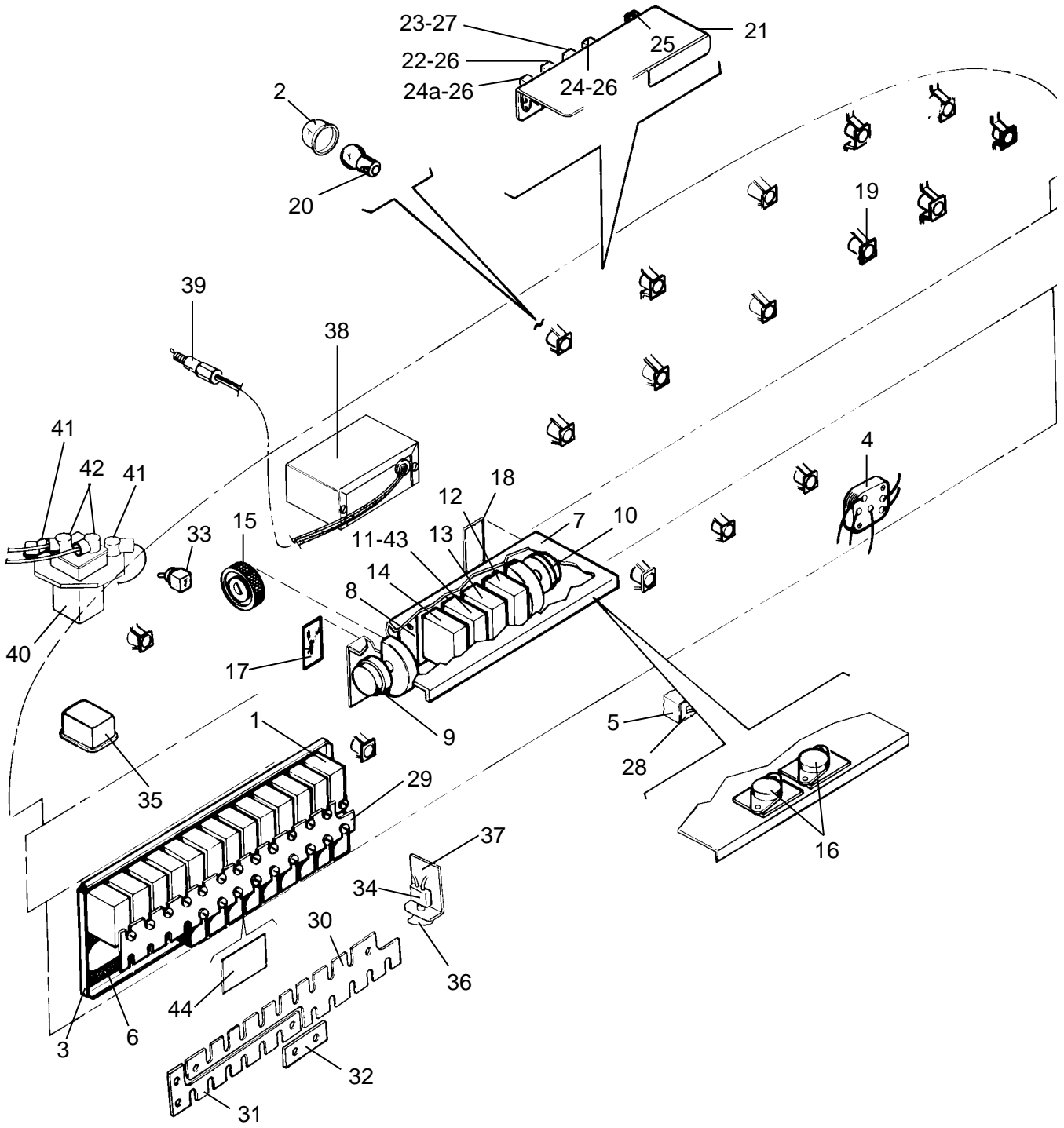


Figure 63. Instrument Panel Electrical Installation

Reissued: June 1, 1990

**PIPER AIRCRAFT
PA-28-236 DAKOTA
AIRPLANE PARTS CATALOG**

CODE EXPLANATIONS FOR FIGURE 63

- A - If matching cabin door lock, baggage door lock and ignition switch are desired. order Kit 87329-03.
- B - Used if carburetor ice detector is installed.
- C - See Figure 70D for serial numbers 28-8311001 and up if King KAP 100/150 Autopilot is installed.
- D - Used if recognition lights are installed.
- E - Used when auxiliary vacuum pump installed.

PIPER AIRCRAFT PA-28-236 DAKOTA AIRPLANE PARTS CATALOG

Figure and Index Number	Part Number	Code	Nomenclature	No. Req.	Serial Numbers Affected
63-	76460		DRAWING - Electrical System Installation		
	39684		DRAWING - Carburetor Ice Detector Installation		28-8011091 and up
	36926		DRAWING - Radio Master Switch Installation		28-8011001 thru 28-8311001
	39870		DRAWING - Radio Master Switch Installation		28-8311002 and up
-1	454 706		CIRCUIT BREAKER - (PS50120-1-2) 5 amp	AR	
	454 719		CIRCUIT BREAKER - (PS50120-1-3 7.5 amp	AR	
	454 707		CIRCUIT BREAKER - (PS50120-1-5) 10 amp	AR	
	454 708		CIRCUIT BREAKER - (PS50120-1-7) 15 amp	AR	
	454 709		CIRCUIT BREAKER - (PS50120-1-9) 20 amp	AR	
	454 678		CIRCUIT BREAKER - (PS50120-3-11) 7.5 amp	AR	28-7911329 and up
	454 668		CIRCUIT BREAKER - (PS50120-3-8) 5 amp	AR	28-7911329 and up
	454 669		CIRCUIT BREAKER - (PS50120-3-13) 10 amp	AR	28-7911329 and up
	454 670		CIRCUIT BREAKER - (PS50120-3-15) 15 amp	AR	28-7911329 and up
-2	460 602		FILTER - (1813-26) Lunar white	16	
-3	35209-00		PANEL - Circuit breaker	1	
-4	688 178	A	SWITCH - Ignition (10-357200-1)	1	
-5	79205-00		COVER - Terminal strip	1	
-6	67409-03		SPACER - Circuit breaker	1	
-7	35213-02		PANELASSEMBLY - Switch complete	1	
-8	66713-00		PLATE - Switch cover	3	
-9	67436-05		POTENTIOMETER ASSEMBLY - Panel lights	1	
-10	67436-04		POTENTIOMETER ASSEMBLY - Instrument lights	1	
-11	99377-02		SWITCH - Fuel pump, gray	1	
-12	99377-06		SWITCH - Strobe light, gray	1	
-13	99377-03		SWITCH - Landing light, gray	1	
-14	99377-05		SWITCH - Master	1	28-7911001 thru 28-8111080
	99377-56		SWITCH - Master	1	28-8111081 and up
-15	67437-00		KNOB - Instrument lights	2	
-16	489 400		TRANSISTOR - (2N3055)	2	
-17	69669-17		PLACARD - Instrument lights, black background	1	
-18	66970-03		PLACARD - Instrument lights, panel, black background	1	
-19	565 516		HOLDER ASSEMBLY - Instrument lamp (PS10082-1-1)	16	
-20	472 056		BULB - (53)	16	
-21	79333-00		PANEL ASSEMBLY - Annunciator	1	
	79333-04	B	PANEL ASSEMBLY - Annunciator	1	28-8011091 and up
-22	67422-12		• LIGHT - Indicator (oil)	1	
-23	67422-14		• LIGHT - Indicator (alt.)	1	
-24	67422-13		• LIGHT - Indicator (vac.)	1	
-24a	67422-22	B	• LIGHT - Indicator (carburetor ice)	1	28-8011091 and up
-25	487 904		• SWITCH - (39-1)	1	
-26	472 054		• BULB - (PS10008-330)	3	
-27	453 695		• BULB - (PS10008-328)	1	
-28	588 464		TERMINAL STRIP - (MS27212-1-4)	1	
-29	35208-00		STRIP - Circuit breaker	1	28-7911001 thru 28-7911395
-30	35208-02	C	STRIP - Circuit breaker	1	28-8011001 and up
-31	35208-03	C	STRIP - Circuit breaker	1	28-8011001 and up
-32	35208-04	C	STRIP - Circuit breaker	1	28-8011001 and up
-33	587 923		SWITCH-Radiomaster(PS10095-1)	1	28-8011001 and up
-34	36935-02		SWITCH ASSEMBLY - Emergency bus	1	28-8011001 and up
-35	484 209		RELAY - (PS50053-2-2)	1	28-8011001 thru 28-8311001
-36	463 615		GUARD-(MS25224-1)	1	28-8011001 and up
-37	36934-02		BRACKET - Emergency bus switch	1	28-8011001 and up
-38	548 509		DETECTOR-Carburetorice(107AP-PA28-236)	1	28-8011091 and up
-39	763 496		PROBE - Carburetor ice detector (107AP-P-P)	1	28-8011091 and up

When ordering, always specify Part Number, Description, and Serial Number of Aircraft

Reissued: June 1, 1990

**PIPER AIRCRAFT
PA-28-236 DAKOTA
AIRPLANE PARTS CATALOG**

Figure and Index Number	Part Number	Code	Nomenclature	No. Req.	Serial Numbers Affected
63-40	584 279		RELAY - (6041H298)	1	28-8311002 and up
-41	23969-02		NIPPLE - Electrical	1	28-8311002 and up
-42	23969-03		NIPPLE - Electrical	1	28-8311002 and up
-43	99377-66	D	SWITCH - Recognition and landing lights	1	28-8511002 and up
-44	87369-53	D	PLACARD - Landing and recognition lights	1	28-8511001 and up
-45	87777-02	E	SWITCH ASSEMBLY - Electric vacuum pump	1	28-8611001 thru 28-8611008 and 2811001 and up
-46	765 014	E	ELECTRIC TIME INDICATOR - Vacuum pump (F7-97-1)		28-8611001 thru 28-8611008 and 2811001 and up

When ordering, always specify Part Number, Description, and Serial Number of Aircraft

PIPER AIRCRAFT
PA-28-236 DAKOTA
AIRPLANE PARTS CATALOG

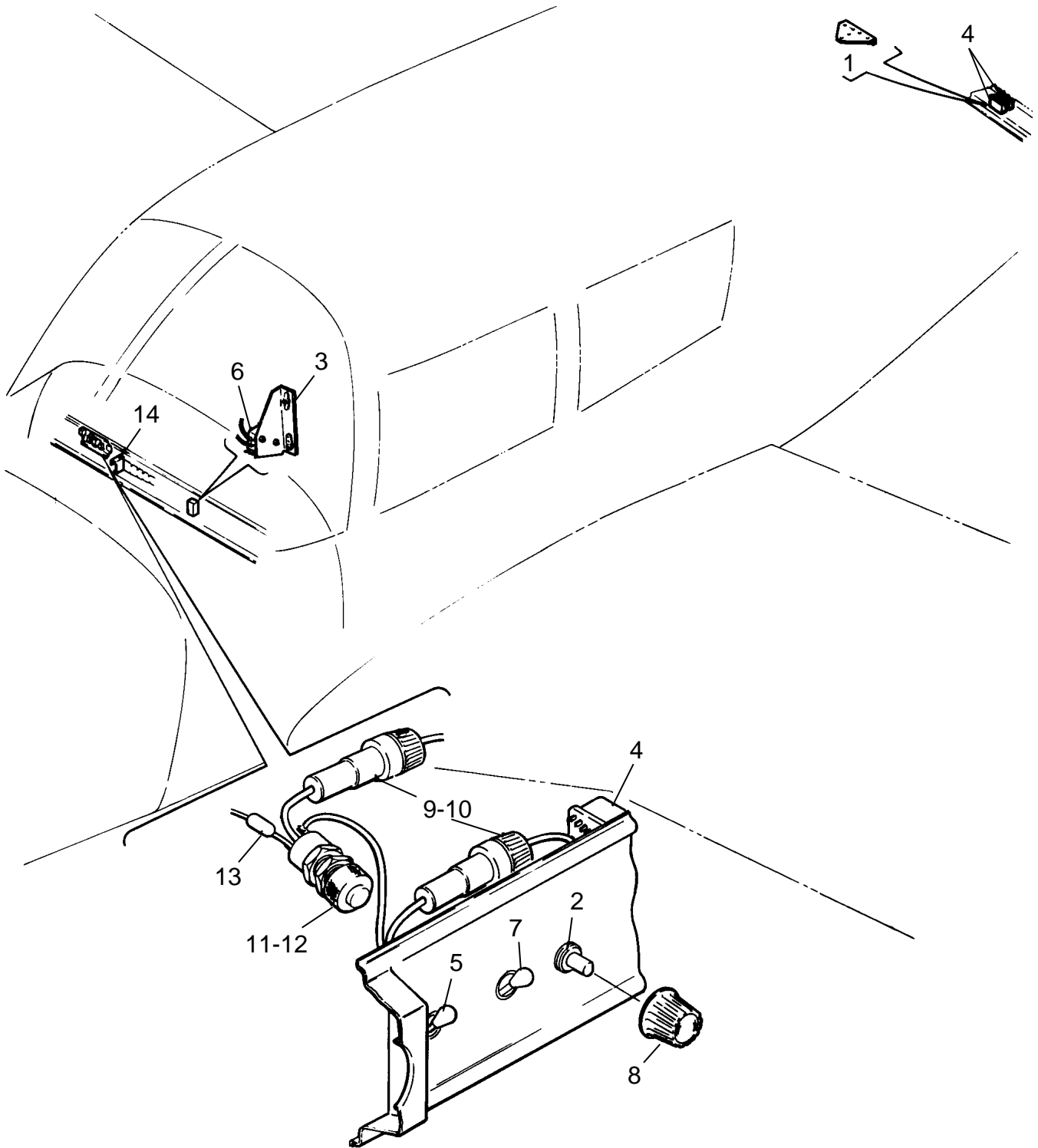


Figure 64. Air Conditioning Installation

Reissued: June 1, 1990

**PIPER AIRCRAFT
PA-28-236 DAKOTA
AIRPLANE PARTS CATALOG**

CODE EXPLANATIONS FOR FIGURE 64

PIPER AIRCRAFT PA-28-236 DAKOTA AIRPLANE PARTS CATALOG

Figure and Index Number	Part Number	Code	Nomenclature	No. Req.	Serial Numbers Affected
64-	99979		DRAWING - Air Conditioning Electrical Installation		
-1	99862-00		MOUNT ASSEMBLY - Relay	1	
-2	99717-00		THERMOSTAT - Air conditioning	1	
-3	67196-00		BRACKET ASSEMBLY - Switch	1	
-4	484 209		RELAY - (PS50053-2-2)	3	
-5	587 903		SWITCH - (MS35058-22)	1	
-6	487 925		SWITCH - (V3-1)	1	
-7	688 235		SWITCH - (8946K942)	1	
-8	571 162		KNOB - Control (RB-67-1-SB-M)	2	
-9	465 258		HOLDER ASSEMBLY - Fuse (155020)	4	
-10	461 629		FUSE - (311005)	4	
-11	472 054		LAMP - (PS10008-330)	1	
-12	472 844		LIGHT - (MS25041-4)	1	
-13	484 467		RESISTOR - (4392)	1	
-14	454 709		CIRCUIT BREAKER - (PS50120-1-9) 20 amp	1	
	454 743		CIRCUIT BREAKER - (PS50120-3-36) 20 amp	1	28-7911329 and up

When ordering, always specify Part Number, Description, and Serial Number of Aircraft

Reissued: June 1, 1990

PIPER AIRCRAFT
PA-28-236 DAKOTA
AIRPLANE PARTS CATALOG

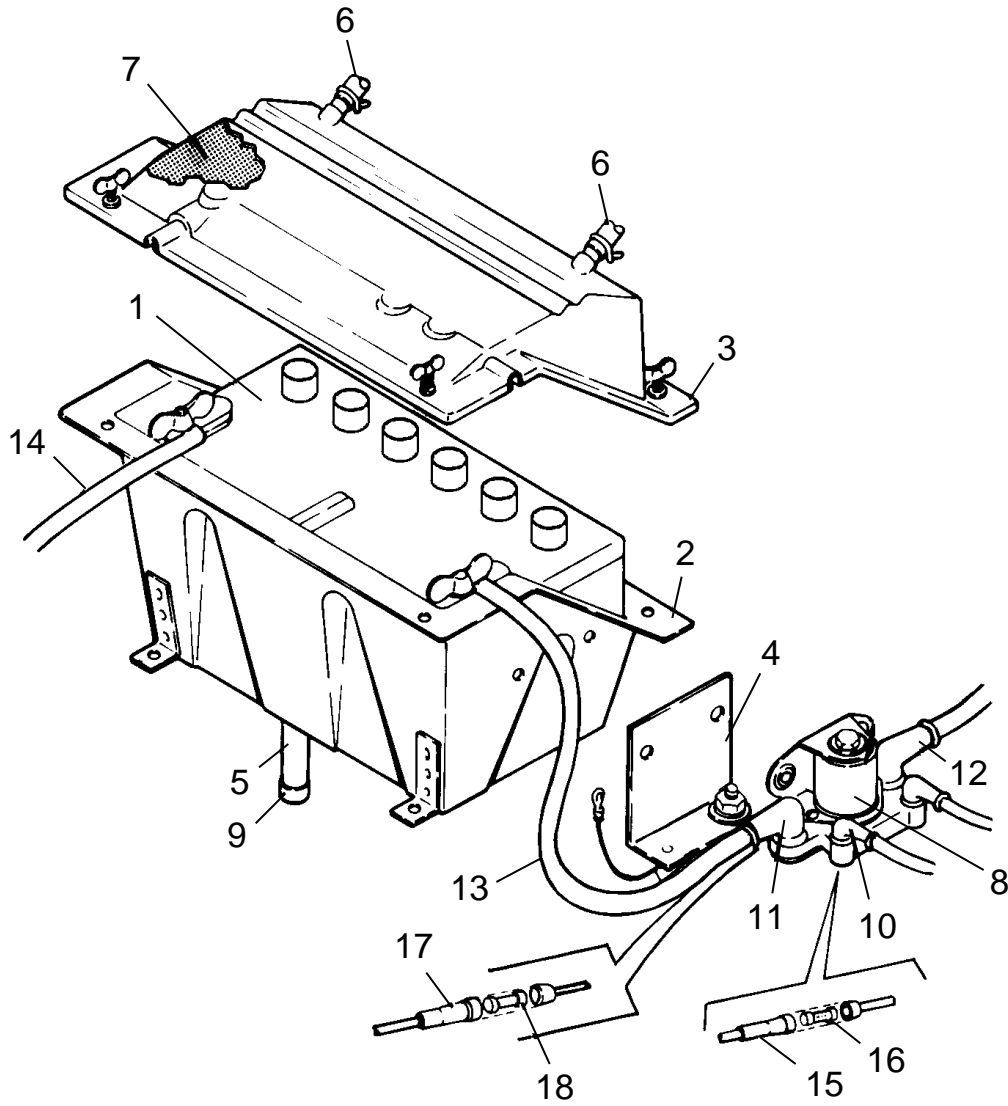


Figure 65. Battery Installation

**PIPER AIRCRAFT
PA-28-236 DAKOTA
AIRPLANE PARTS CATALOG**

CODE EXPLANATIONS FOR FIGURE 65

- A - Used on S/N 28-7911001 thru 28-8511006. Requires installation of Piper kit 765 157. See Piper service bulletin No. 804.
- B - Required when digital clock installed.

PIPER AIRCRAFT PA-28-236 DAKOTA AIRPLANE PARTS CATALOG

Figure and Index Number	Part Number	Code	Nomenclature	No. Req.	Serial Numbers Affected
65-	76460		DRAWING - Electrical System Installation		
-1	450 030		BATTERY - 25 amp-hour (PS50132)	1	
	450 035		BATTERY - 35 amp-hour (PS50133)	1	
-2	35202-00		BOX ASSEMBLY - Battery	1	
-3	35201-00		COVER ASSEMBLY - Battery	1	
-4	62279-00		DIODE ASSEMBLY - Master relay	1	
-5	63904-20		HOSE - Battery vent, bottom (18.0" L.)	1	
-6	63904-06		HOSE - Battery vent, left and right	2	
-7	63978-00		SPACER - Battery box (urethane)	1	
-8	63880-00		CONTACTOR - Power relay	1	
-9	454 161		CAP - Vent (1704-9-Y)	1	28-7911001 thru 28-8611004
-9a	89042-02		TUBE - Vent	1	28-8611005 and up
-10	23969-02		NIPPLE - Terminal	2	
-11	23969-05		NIPPLE - Terminal	1	
-12	66580-02		NIPPLE - Terminal (476 695)	1	
-13	78140-39		WIRE ASSEMBLY - Battery to solenoid	1	
-14	78140-33		WIRE ASSEMBLY - Battery to ground	1	
-15	79595-19	B	FUSE ASSEMBLY - Voltage spike supression	1	28-8111007 and up
-16	461 657		* FUSE - (312001) 1 amp	1	28-8111001 and up
-17	79595-20		FUSE ASSEMBLY - Hour meter and clock	1	28-8211016 and up
-18	461 629		* FUSE - (311005) 5 amp	1	28-8211016 and up
-19	687 604	A	STRAP ASSEMBLY - Battery tie down (FSC-7730) (C-3959)	1	28-8511006 and up

When ordering, always specify Part Number, Description, and Serial Number of Aircraft

PIPER AIRCRAFT
PA-28-236 DAKOTA
AIRPLANE PARTS CATALOG

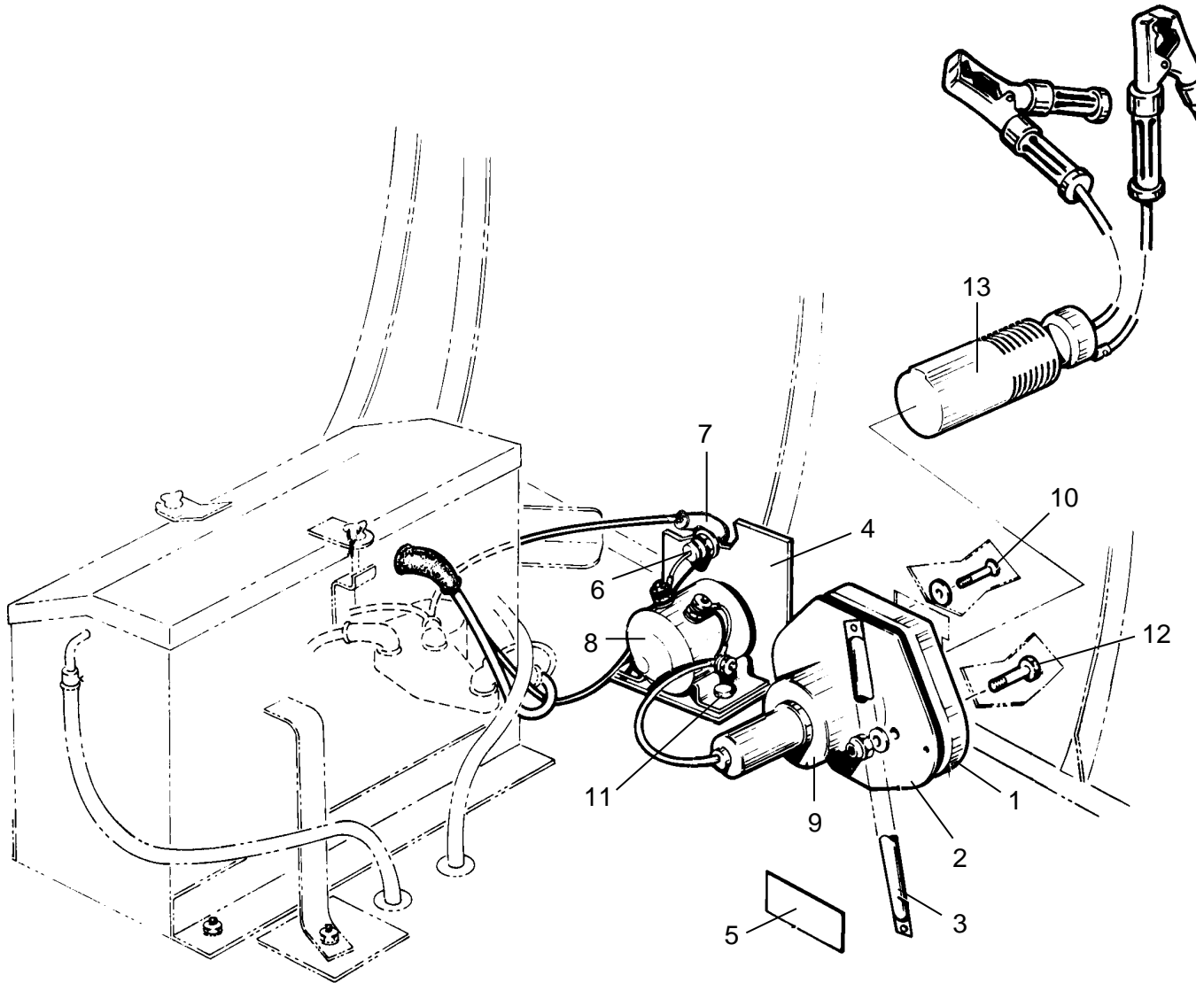


Figure 66. External Power Supply Installation

Reissued: June 1, 1990

**PIPER AIRCRAFT
PA-28-236 DAKOTA
AIRPLANE PARTS CATALOG**

CODE EXPLANATIONS FOR FIGURE 66

**PIPER AIRCRAFT
PA-28-236 DAKOTA
AIRPLANE PARTS CATALOG**

Figure and Index Number	Part Number	Code	Nomenclature	No. Req.	Serial Numbers Affected
66-	79454		DRAWING - External Power Supply Installation		
-1	62226-00		SPACER - Auxiliary power receptacle	1	
-2	62227-00		PLATE - Auxiliary power receptacle	1	
-3	65649-00		TUBE - Auxiliary power receptacle support	1	
-4	68198-00		SUPPORT - Diode mounting	1	
-5	69669-173		PLACARD - External power	1	
-6	456 728		DIODE - (IN3208)	1	
-7	476 673		NIPPLE - (MS25171-1S)	1	
-8	484 373		SOLENOID - Power contactor (PS50053-5-2)	1	
-9	89097-03		SOCKET ASSEMBLY - Power connector	1	7911001 and up
-10	416 794		SCREW - (AN507-1032R14)	4	
	494 087		WASHER - (A3235-020-1)	4	
	407 564		WASHER - (AN960-10)	4	
	404 835		NUT - (MS20364-1032C)	4	
-11	401 307		BOLT - (AN4-4A)	2	
	407 565		WASHER - (AN960-416)	2	
	404 888		NUT - (MS20365-428C)	2	
-12	400 728		BOLT - (AN25-11A)	2	
	407 566		WASHER - (AN960-516)	2	
	407 106		WASHER - (AN935-516)	2	
	404 323		NUT - (AN316-5R)	2	
-13	89097-02		PLUG ASSEMBLY - Power connector	1	7911001 and up

When ordering, always specify Part Number, Description, and Serial Number of Aircraft

Reissued: June 1, 1990

PIPER AIRCRAFT
PA-28-236 DAKOTA
AIRPLANE PARTS CATALOG

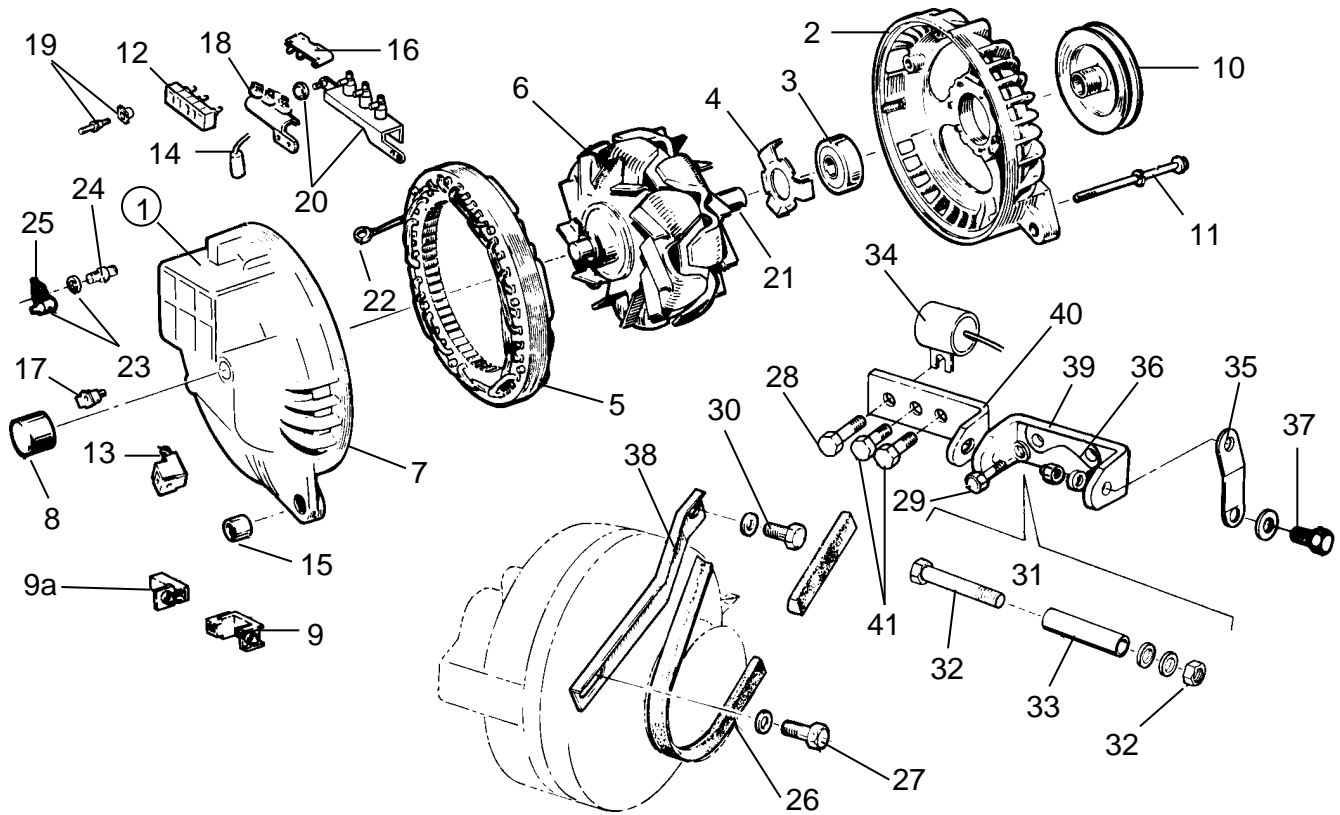


Figure 67. Alternator Assembly and Installation (Chrysler)
(See Code A)

**PIPER AIRCRAFT
PA-28-236 DAKOTA
AIRPLANE PARTS CATALOG**

CODE EXPLANATIONS FOR FIGURE 67

- A - Refer to Figure 59 and 68 if air conditioning is installed.
- B - Used with Alternator Assembly P/N 69670-03 (Chrysler No. 3656624) only.
- C - Used with Alternator Assembly P/N 69670-04 (Chrysler No. 4111810) only.
- D - If Alternator/Capacitor Mounting Kit 764 347 has been installed per Service Spares Letter 336A, order part for serial numbers 28-8211035 and up.
- E - Also used on serial numbers 28-7911001 to 28-8211034 inclusive if Alternator/Capacitor Mounting Kit 764 347 has been installed per Service Spares Letter 366A.
- F - Alternate vendor.

PIPER AIRCRAFT PA-28-236 DAKOTA AIRPLANE PARTS CATALOG

Figure and Index Number	Part Number	Code	Nomenclature	No. Req.	Serial Numbers Affected
67-	99935 87323		DRAWING - Alternator Installation DRAWING - Alternator Installation		28-7911001 thru 28-8011141 28-8011142 and up
-1	69670-04		ALTERNATOR ASSEMBLY - (Chrysler No. 4111810)	1	
	99945-04	F	ALTERNATOR ASSEMBLY - Electro systems (ES 4020)(599 303)	1	
-2	756 159	B	* SHIELD ASSEMBLY - Drive end (2098634)	1	
	762 490	C	* SHIELD ASSEMBLY - Drive end (4111822)	1	
-3	753 375	B	* BEARING - Drive end shield (2098478)	1	
	758 575	C	* BEARING - Drive end shield (3656444)	1	
-4	755 846		* PLATE - Bearing retainer (2095012)	1	
-5	757 745	B	* STATOR ASSEMBLY - (3438768)	1	
	762 489	C	* STATOR ASSEMBLY - (4111804)	1	
-6	756 065	B	* ROTOR ASSEMBLY - (3656632)	1	
	762 628	C	* ROTOR ASSEMBLY - (4111817)	1	
-7	757 746	B	* SHIELD ASSEMBLY - Rectifier end (3438712)	1	
	762 491	C	* SHIELD ASSEMBLY - Rectifier end (4091535)	1	
-8	753 376	B	* BEARING - Rectifier end shield (2098512)	1	
	758 576	C	* BEARING - Rectifier end shield (3755184)	1	
-9	758 369		* BRUSH HOLDER - Axial (3438159)	1	
-9a	758 580	C	* BRUSH HOLDER - Radial (4091667)	1	
-10	757 311		* PULLEY ASSEMBLY - (2642706)	1	
-11	756 757	B	* KIT - 3 Frame screw (3656470)	1	
	762 492	C	* SCREW - Frame (4111814)	3	
	763 781	C	* WASHER - (4111887)	3	
-12	761 913		* TERMINAL BLOCK - (3438729)	1	
-13	758 250	B	* BRUSH ASSEMBLY - Vertical (2095039)	1	
-14	757 981	B	* CAPACITOR - (3438725)	1	
	763 395	C	* CAPACITOR, STUD AND INSULATOR PKG. - (3620793)	1	
-15	758 249	B	* BUSHING - Alternator end shield (2098052)	1	
	753 380	C	* BUSHING - Alternator end shield (2095052)	1	
-16	756 067	B	* RECTIFIER ASSEMBLY - Negative (3438721)	1	
	755 340	C	* HEAT SINK - Negative (3755114)	1	
-17	758 251	B	* BRUSH ASSEMBLY - Horizontal (3420893)	1	
-18	756 066	B	* RECTIFIER ASSEMBLY - Positive (3438727)	1	
-19	758 366	B	* BATTERY TERMINAL PACKAGE - (3620794)	1	
-20	758 573	C	* BATTERY TERMINAL AND POSITIVE HEAT SINK PACKAGE - (4240488)	1	
-21	762 629	C	* RETAINER AND SLIP RING PACKAGE - (3744889)	1	
-22	762 049	C	* TERMINAL - (3438709)	3	
-23	758 574	C	* BRUSH AND WASHER PACKAGE - (4176097)	1	
-24	762 493	C	* SCREW - (6031272)	2	
-25	762 050	C	* TERMINAL FIELD - (4111809)	1	
-26	452 541		BELT - V (8114-1814)	1	
-27	401 971		BOLT - (MS20074-05-06)	1	
	407 566		WASHER - (AN960-516)	2	
	407 137		WASHER - (AN936-A516)	1	
-28	401 970	D	BOLT - (MS20074-05-05)	1	28-7911001 thru 28-8211034
	401 974	E	BOLT - (MS20074-05-07)	1	28-8211035 and up
	407 144	D	WASHER - (AN936B516)	1	28-7911001 thru 28-8211034
	407 106	E	WASHER - (AN935-516)	1	28-8211035 and up
-29	401 970		BOLT - (MS20074-05-05)	2	28-7911001 thru 28-8011141
	401 971		BOLT - (MS20074-05-06)	2	28-8011142 and up
	407 137		WASHER - (AN936-A516)	AR	28-7911001 thru 28-8211034
	407 586		WASHER - (AN960-516L)	AR	28-8011142 thru 28-8211034

When ordering, always specify Part Number, Description, and Serial Number of Aircraft

PIPER AIRCRAFT PA-28-236 DAKOTA AIRPLANE PARTS CATALOG

Figure and Index Number	Part Number	Code	Nomenclature	No. Req.	Serial Numbers Affected
67-30	401 970		BOLT - (MS20074-05-05)	1	
	407 137		WASHER - (AN936-A516)	1	
-31	764 092		ALTERNATOR MOUNTING HARDWARE KIT	1	28-7911001 thru 28-8011141
-32	401 424		* BOLT - (AN6-44A)	1	28-8011142 and up
	407 107		* WASHER - Lock (AN935-616)	2	28-8011142 and up
	407 567		* WASHER - (AN960-616)	3	28-8011142 and up
	407 587		* WASHER - (AN960-616L)	4	28-8011142 and up
	404 838		* NUT - (MS20364-624C)	1	28-8011142 and up
-33	86700-36		* BUSHING	1	28-8011142 and up
-34	63897-06		CAPACITOR ASSEMBLY - Alternator	1	
-35	78483-00		STRUT - Alternator	1	
-36	582 172		PLATE - Lock (73383)	1	
-37	401 971		BOLT - (MS20074-05-06)	1	
	62833-74		WASHER	1	
-38	63531-00		CHANNEL - Alternator support	1	
-39	65199-00	D	BRACKET - Alternator support	1	28-7911001 thru 28-8211034
	65199-05	E	BRACKET - Alternator support	1	28-8211035 and up
-40	65199-04	E	BRACKET - Alternator support	1	28-8211035 and up
-41	401 971	E	BOLT - (MS20074-05-06)	2	28-8211035 and up
	407 106	E	WASHER - (AN935-516)	2	28-8211035 and up

When ordering, always specify Part Number, Description, and Serial Number of Aircraft

Reissued: June 1, 1990

PIPER AIRCRAFT
PA-28-236 DAKOTA
AIRPLANE PARTS CATALOG

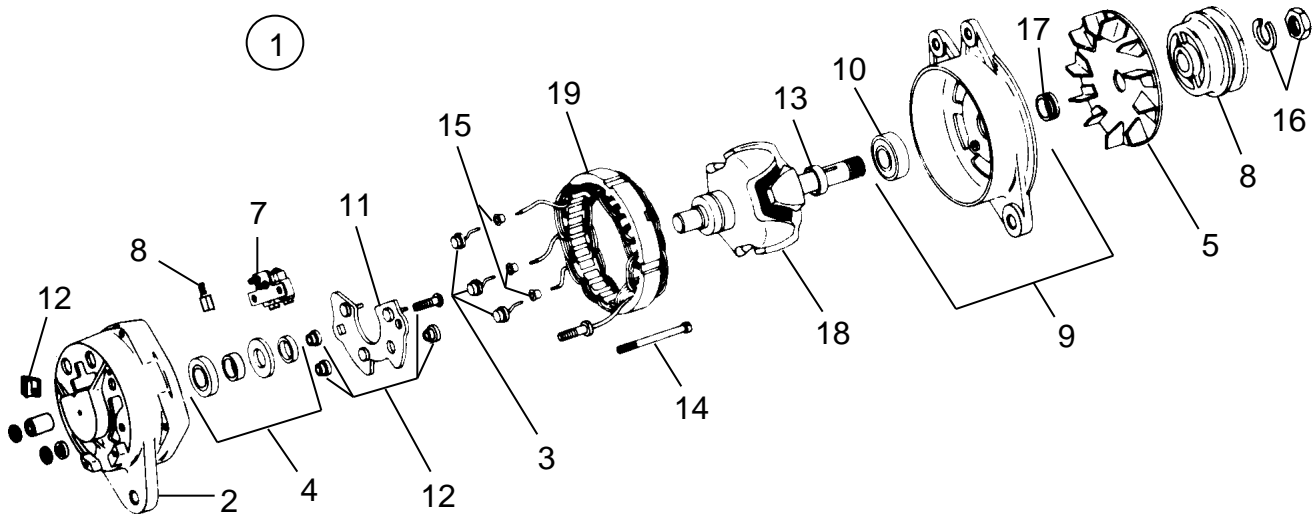


Figure 68. Alternator Assembly (Prestolite)

**PIPER AIRCRAFT
PA-28-236 DAKOTA
AIRPLANE PARTS CATALOG**

CODE EXPLANATIONS FOR FIGURE 68

**PIPER AIRCRAFT
PA-28-236 DAKOTA
AIRPLANE PARTS CATALOG**

Figure and Index Number	Part Number	Code	Nomenclature	No. Req.	Serial Numbers Affected
68-1	551 983		ALTERNATOR ASSEMBLY - Prestolite (ALY-6422)	1	
-2	755 271		* HEAD ASSEMBLY -Slip ring end (ALK-1132BS-1)	1	
-3	757 387		** PACKAGE - Rectifier, negative (XA-944JS)	1	
-4	757 386		* PACKAGE - Bearing and seal S.R.E. (90-2014)	1	
-5	754 827		* FAN ASSEMBLY - Ventilating (90-2241)	1	
-6	757 392		* PULLEY - Drive (PU-692B)	1	
-7	758 224		* BRUSH, HOLDER AND SPRING ASSEMBLY - (ALE-1045BS)	1	
-8	758 471		** BRUSH SET - Alternator (ALE-1013AS)	1	
-9	755 232		* HEAD ASSEMBLY - Drive end (ALE-1003K)	1	
-10	758 225		** BEARING - Ball, seal (X-3416)	1	
-11	756 060		* RECTIFIER AND PLATE ASSEMBLY - Positive (ALE-1054A)	1	
-12	761 903		* TERMINAL STUD AND PARTS PACKAGE - (90-2043)	1	
-13	756 061		* RETAINER - Drive end (GR-32)	1	
-14	757 388		* PACKAGE - Thru bolt (ALA-20JS)	1	
-15	757 389		* PACKAGE - Eyelet (90-818)	1	
-16	757 390		* PACKAGE - Nut and washer (90-33)	1	
-17	757 721		* SPACER - Rotor shaft (ALD-21A)	1	
-18	762 508		* ROTOR - (ALE-2177S-1)	1	
-19	757 719		* STATOR ASSEMBLY - (ALE-2008AES)	1	

When ordering, always specify Part Number, Description, and Serial Number of Aircraft

PIPER AIRCRAFT
PA-28-236 DAKOTA
AIRPLANE PARTS CATALOG

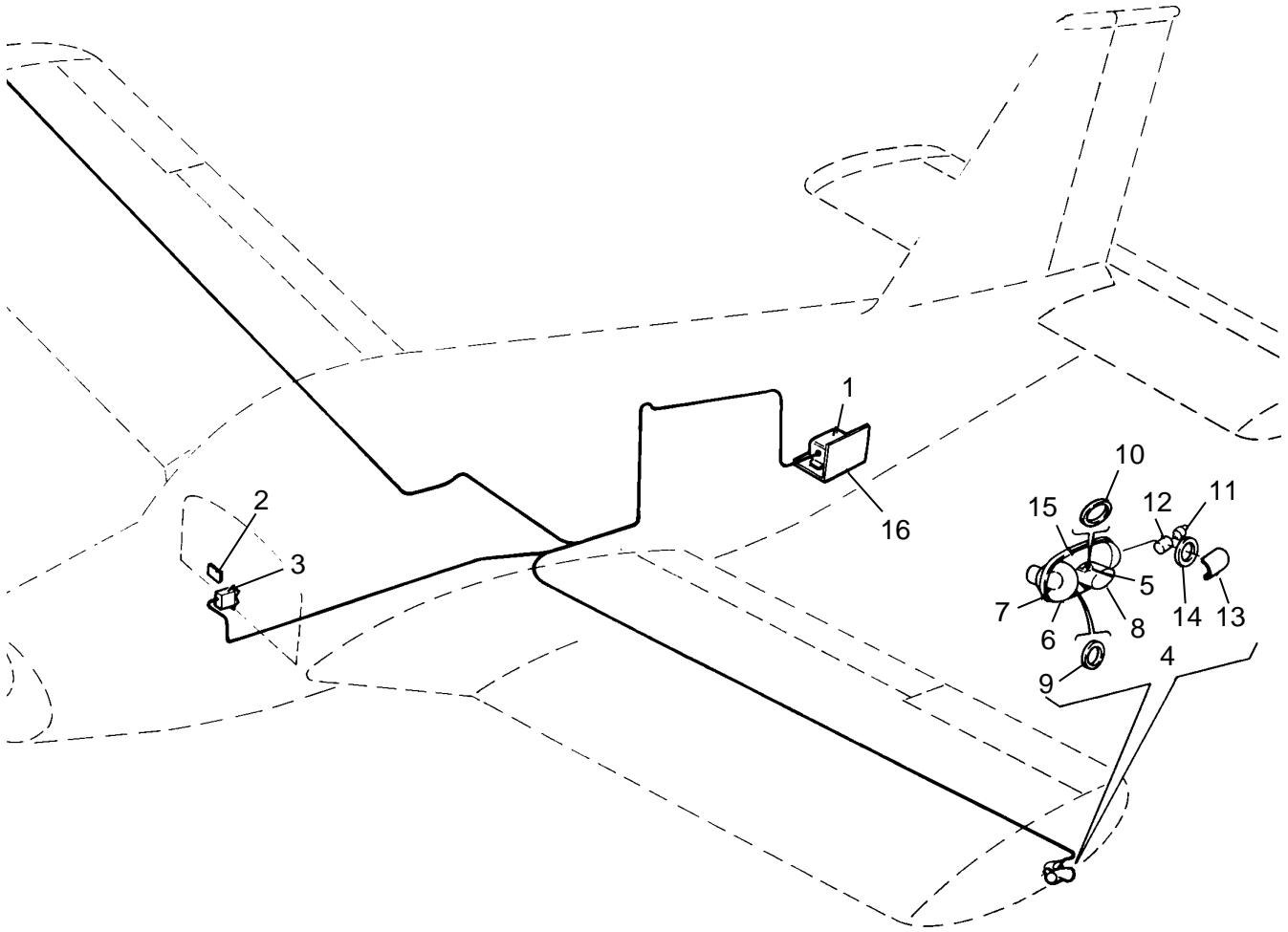


Figure 69. Strobe Lights Installation

Reissued: June 1, 1990

**PIPER AIRCRAFT
PA-28-236 DAKOTA
AIRPLANE PARTS CATALOG**

CODE EXPLANATIONS FOR FIGURE 69

- A - Used with white wing tip strobe only.
- B - Used with red wing tip strobe only.
- C - Used with serial numbers 28-8111081 and up. Also used on serial numbers 28-7911001 to 28-8111080 inclusive if red wing tip strobe is installed.

PIPER AIRCRAFT PA-28-236 DAKOTA AIRPLANE PARTS CATALOG

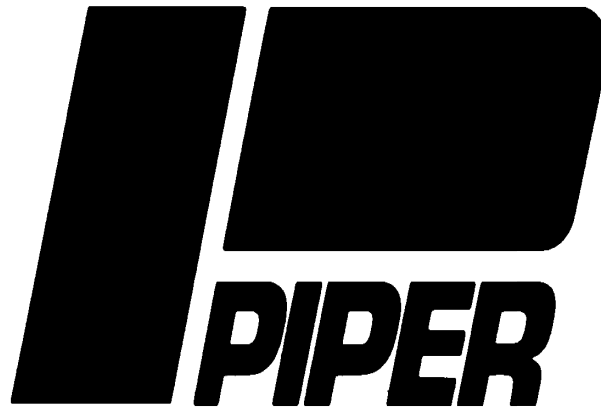
Figure and Index Number	Part Number	Code	Nomenclature	No. Req.	Serial Numbers Affected
69-	38221		DRAWING - Strobe Lights Installation		28-7911001 thru 28-7911064
	79850		DRAWING - Wing Tip Strobe Lights Installation		28-7911065 thru 28-8111080
	36789		DRAWING - Wing Tip Strobe Lights Installation		28-8111081 and up
	79850		DRAWING - Fin Tip Strobe Light Installation		28-7911065 thru 28-8211008
	36789		DRAWING - Fin Tip Strobe Light Installation		28-8211009 and up
-1	763 469		POWER SUPPLY - Strobe lights	1	
-2	69669-175		PLACARD - Warning	1	28-7911001 thru 28-7911395
-3	99377-07		SWITCH - Strobe light, gray (8911K660)	1	
-4	472 896		LIGHT ASSEMBLY - Red navigation and white strobe, wing tip (shielded)	1	28-7911001 thru 28-8111080
	572 557		LIGHT ASSEMBLY - Red navigation and white strobe, wing tip (shielded)	1	28-8111081 and up
	472 988		LIGHT ASSEMBLY - Red navigation and red strobe, wing tip (shielded)	1	28-7911065 thru 28-8111080
	572 558		LIGHT ASSEMBLY - Red navigation and red strobe, wing tip (shielded)	1	28-8111081 and up
	472 895		LIGHT ASSEMBLY - Green navigation and white strobe, wing tip (shielded)	1	28-7911001 thru 28-8111080
	572 561		LIGHT ASSEMBLY - Green navigation and white strobe, wing tip (shielded)	1	28-8111081 and up
	472 987		LIGHT ASSEMBLY - Green navigation and red strobe, wing tip (shielded)	1	28-7911065 thru 28-8111080
	572 560		LIGHT ASSEMBLY - Green navigation and red strobe, wing tip (shielded)	1	28-8111081 and up
-5	761 156	A	* TUBE ASSEMBLY - Flash, tip	1	28-7911001 thru 28-8111080
	762 003	C	* TUBE ASSEMBLY - Flash, tip	1	
-6	751 202		* LENS - Navigation, red	1	
	751 201		* LENS - Navigation, green	1	
-7	751 381		* BULB - (1512)	1	
-8	761 162	A	* LENS AND RETAINER ASSEMBLY - Wing tip strobe (shielded)	1	28-7911001 thru 28-8111080
	761 253	A	* LENS AND RETAINER ASSEMBLY - Wing tip strobe (shielded)	1	28-8111081 and up
	761 222	B	* LENS AND RETAINER ASSEMBLY - Wing tip strobe (shielded)	1	28-7911001 thru 28-8111080
	761 254	B	* LENS AND RETAINER ASSEMBLY - Wing tip strobe (shielded)	1	28-8111081 and up
-9	755 075		* GASKET - Navigation (W1283)	1	
-10	755 076		* GASKET - Wing strobe (A-427-4)	1	
-11	761 256		* LAMP - Navigation light assembly (A508) 14 volt	1	28-8111081 and up
-12	762 426		* SOCKET ASSEMBLY - Navigation light (A507)	1	28-8111081 and up
-13	761 255		* LENS - Navigation light (A615)	1	28-8111081 and up
-14	755 096		* GASKET - Navigation light (A616)	1	28-8111081 and up
-15	756 037	F	* RETAINER - Light lens	1	28-7911001 thru 28-8111080
	762 581	G	* RETAINER - Light lens	1	28-7911065 thru 28-8111080
	762 616		* RETAINER - Light lens	1	28-8111081 and up
-16	99031-00		BRACKET ASSEMBLY - Power supply mounting	1	

When ordering, always specify Part Number, Description, and Serial Number of Aircraft

Reissued: June 1, 1990

**PIPER AIRCRAFT
PA-28-236 DAKOTA
AIRPLANE PARTS CATALOG**

**GRIDS 1K21 THRU 1L24
INTENTIONALLY LEFT BLANK**



AIRPLANE PARTS CATALOG

DAKOTA

PA-28-236

CARD 2 OF 2

**PIPER AIRCRAFT
CORPORATION**

**Courtesy of Bomar Flying Service
www.bomar.biz**

**PIPER AIRCRAFT
PA-28-236 DAKOTA
AIRPLANE PARTS CATALOG**

Published by
Technical Publications

Piper Aircraft Corporation
2926 Piper Drive
Vero Beach, Florida 32960
U.S.A.



Member of GAMA
General Aviation
Manufacturers Association

PIPER AIRCRAFT PA-28-236 DAKOTA AIRPLANE PARTS CATALOG

AEROFICHE EXPLANATION AND REVISION STATUS

The Parts Catalog information in this set of Aerofiche cards is arranged in accordance with general specifications of Aerofiche adopted by the General Aviation Manufacturer's Association.

Conversion of Aerofiche alpha/numeric code numbers:

First number is the Aerofiche card identifier.

Letter is the horizontal line reference per card.

Second number is the vertical line reference per card.

Example: 2J16 = Aerofiche card number two of given set, Grid location J16.

REVISIONS

The information compiled in this Aerofiche Parts Catalog is kept current by revisions distributed periodically. Each revision is a complete Aerofiche card replacement and supersedes Aerofiche cards of the same number in the set.

Revisions to this PA-28-236 Parts Catalog (761 680) issued June 22, 1978 are as follows:

<u>Effectivity</u>	<u>Aerofiche Card Effectivity</u>
ORG780622	1 and 2
CR900601	1 and 2

**PIPER AIRCRAFT
PA-28-236 DAKOTA
AIRPLANE PARTS CATALOG**

INTRODUCTION

This illustrated Parts Catalog provides simple, positive identification of replacement parts for the Piper Model PA-28-236 manufactured by the Piper Aircraft Corporation of Vero Beach, Florida.

NOTE: DO NOT USE THIS CATALOG FOR RIGGING AND INSTALLATION PURPOSES.

1. The catalog is divided into thirteen major sections as follows:
 - a. Section I to XII inclusive contains all replacement parts for the complete airplane. Each section is subdivided and each division includes an illustration and a parts listing.
 - b. Section XIII is the Miscellaneous Group. This group includes an illustration and parts list for the Placards and Exterior Stencils and a listing of the Optional Equipment Kits, Repair kits and Special Tools.
2. The following is a brief explanation of the columns in the parts lists: (Refer to EXAMPLE below).
 - a. The FIGURE AND INDEX NUMBER column indicates the illustration figure number and its part index number. EXAMPLE: (2-1), the 2 is the figure number and the 1 is the index number. The figure number appears only at the top of each parts list page.
 - b. The PART NUMBER column contains the identifying number of the replacement part and this number must be shown on all parts orders.
 - c. The CODE column is for the purpose of indicating special uses of the part. An explanation of the letter code used is shown on the grid (page) preceding each parts listing and pertains to that listing only.
 - d. The NOMENCLATURE column indicates the part name. This name must be shown on all parts orders.
 - e. The NO. REQ. (Number Required) column represents the total quantity of parts used per figure when the part is not indented and the quantity of parts used per assembly when the part is indented. The symbol AR listed in this column means As Required.
 - f. The SERIAL NUMBERS AFFECTED column indicates the part application by airplane serial number.

EXAMPLE

Figure and Index Number	Part Number	Code	NOMENCLATURE	No. Req.	SERIAL NUMBERS AFFECTED
2-1	XXXXX-XX		DOOR ASSEMBLY - Baggage compartment	X	
-2	XXXXX-XX		* TUBE ASSEMBLY - Baggage door latch	X	
-3	XXXXX-XX		* * CLEVIS - Door latch tube assembly	X	
-4	XXXXX-XX		* * CLIP - Door latch tube assembly	X	

In the nomenclature column, the next higher assembly relationship of items covered is shown by the degree of indentation of each item and is indicated by an asterisk (*). One asterisk signifies one indentation, two signifies two indentions, etc. The example listing above is interpreted as follows:

If the DOOR ASSEMBLY (not indented) is ordered, it will include the three items indented under the DOOR ASSEMBLY.

If the TUBE ASSEMBLY (indented one space) is ordered, it will include the two items indented under the TUBE ASSEMBLY.

If you want only a CLEVIS or CLIP, you order only that item.

PIPER AIRCRAFT PA-28-236 DAKOTA AIRPLANE PARTS CATALOG

3. Piper Aircraft will supply all attaching parts to its customers in any quantity. When purchasing the attaching parts such as nuts, bolts, washers, cotter pins, etc. from Piper Aircraft the customer or service center need only order the part(s) needed.
4. All items of Optional Equipment are contained in the parts list in their proper sequence and sections. These items were not marked optional, since they are fully identified by their descriptions.

HOW TO IDENTIFY A PART IF YOU KNOW WHAT IT LOOKS LIKE AND KNOW WHERE IT IS LOCATED

1. Refer to Figure 1 to determine the section number in which the part is used.
2. Refer to the Table of Contents and locate the section. Note the figure numbers that illustrate the various subgroups of this main section. Select the figure title you think might contain the part you wish to identify and proceed to the grid (page) specified. If you don't find the part on this illustration, try another figure in this group.
3. Refer to Figure and Index Number in the parts listing for description of the part.

HOW TO ORDER PARTS

When ordering parts for your Piper airplanes, please observe the following instructions:

1. Place your order with your local distributor or service center.
2. Specify the model and serial number of your airplane.
3. Specify Part Number, Name, Type and Quantity Required.
4. Specify the method of shipment — freight, express, parcel post, air express, air freight or air parcel post. Where the nature of the shipment requires it or when no instructions are given, we reserve the right to ship the most suitable way.
5. Request price and delivery information prior to order placement.

GENERAL INFORMATION

1. Shortages
All orders are checked before leaving our Shipping Department. A packing slip is enclosed with the shipment. Claims for errors or shortages must be made within three days after receipt of orders.
2. Returned Goods
No material should be returned without first securing written permission. Material sent in without notice will be held at the owner's risk for thirty days and will then be disposed of as we see fit. Transportation charges must be prepaid on returned goods or the shipment will be refused.
3. Transportation Liabilities
The Piper Aircraft Corporation cannot be held liable for damages to parts in transit from the factory. If a shipment is received in a damaged condition, have the delivery man or transportation company make a notation of the damage and file your claim with the carrier. In case of concealed damage, do not attempt to remove the part from the shipping container, or try to repair the damage, call the carrier and have their claim agent inspect the damage before filing your claim with the carrier.

PIPER AIRCRAFT PA-28-236 DAKOTA AIRPLANE PARTS CATALOG

MODEL SERIAL NUMBER INFORMATION

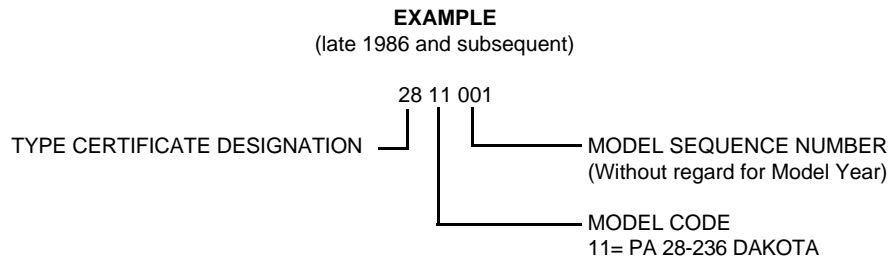
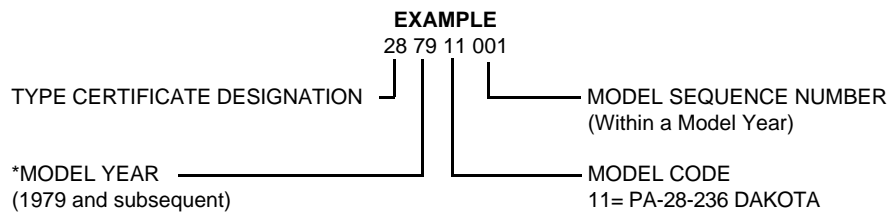
The serial numbers of the PA-28-236 Dakota aircraft covered by this Parts Catalog are as follows:

28-7911001 thru 28-7911335
28-8011001 thru 28-8011151
28-8111001 thru 28-8111096
28-8211001 thru 28-8211049
28-8311001 thru 28-8311025
28-8411001 thru 28-8411031
28-8511001 thru 28-8511020
28-8611001 thru 28-8611008
2811001 thru 2811004
2811005 thru 2811016
2811017 thru 2811022
2811023 thru 2811032
2811033 and up

SERIAL NUMBER EXPLANATION

The Serial Number on the Manufacturer's Identification Plate is based on either a 3- or 4-set numbering system. In the 4-set system, the first set defines the Type Certificate Designation, the second set is the Model Year, the third set is the Model Code, while the fourth set is the Model Sequence Number (within a model year).

The 3-set system omits the model year* and begins a new sequence with 2816001. This new sequence continues without renumbering for a new year.



PIPER AIRCRAFT PA-28-236 DAKOTA AIRPLANE PARTS CATALOG

STANDARD PAINT CHART

	MFG. NO.	PIPER PART NUMBER	
EXTERIOR		QUART	GALLON
POLYURETHANE ENAMEL (Dupont Imron)			
Baja Yellow	H7850U	4175 461	1175 461
Juneau White	H7848U	4175 462	1175 462
Ocala Orange	H7857UM	4175 463	1175 463
Madrid Red	H7851UM	4175 464	1175 464
Bahama Blue	H7853U	4175 465	1175 465
Alvocado	H7852U	4175 466	1175 466
Las Vegas Gold	5242U	4176 121	1176 121
Dakota Black	99U	4175 467	1175 467
Denver Brown	H7859U	4176 122	1176 122
Matador Red	H7858U	4175 468	1175 468
Royal Blue	H7856U	4175 469	1175 469
Hickory Brown	H7855U	4175 470	1175 470
Silver	4531U	4176 123	1176 123
Lime Green	H7854U	4175 460	1175 460
Sage Green	K7887U	4176 132	1176 132
Firethorn	K7888UW	4176 133	1176 133
Buckskin	K7890U	4176 135	1176 135
Dark Blue	K7891U	4176 136	1176 136
Platinum Gray	N7819U	4176 126	1176 126
Sandalwood Tan	N7818U	4176 127	1176 127
Dark Claret	K7886U	4176 131	1176 131
Burnished Gold	N8068U	4763 528	1763 528
Light Blue	K8149U	4763 529	1763 529
Dark Saddle	N8070U	4763 530	1763 530
Dark Green	N8071U	4763 531	1763 531
Saffron	K7889UH	4763 532	1763 532
Light Sandalwood	W8275	4763 533	1763 533
Light Platinum	W8274	4763 534	1763 534
Catalyst (Activator)	912S	4179 950	1179 950
Reducer	Y8485S	4179 145	1179 145
Retarder	8100S	4179 599	1179 599
Accelerator	189S	4179 951	
POLYURETHANE PRIMER (Dupont Imron)			
Wash Primer	B9287	4170 766	1179 766
Wash Primer Thinner	K1733	4179 452	1179 452
Acid Thinner	B9289	4179 403	1179 403

**PIPER AIRCRAFT
PA-28-236 DAKOTA
AIRPLANE PARTS CATALOG**

TABLE OF CONTENTS

FIGURE NUMBER	FIGURE TITLE	GRID NUMBER
1	View of Complete Airplane.....	1A11,2A11
SECTION I WING GROUP		
2	Wing Installation.....	1A13
3	Wing Leading Edge Assembly.....	1A18
4	Wing Trailing Edge Assembly.....	1A21
5	Aileron Assembly.....	1B1
6	Flap Assembly.....	1B4
SECTION II FUSELAGE GROUP		
7	Fuselage Assembly - Complete.....	1B7
8	Fuselage Upper Forward Cockpit Assembly.....	1B10
9	Fuselage Upper Center Cockpit Assembly.....	1B13
10	Fuselage Lower Forward Cockpit Assembly.....	1B17
11	Fuselage Lower Aft Cockpit Assembly.....	1B21
12	Fuselage Aft Section.....	1B24
13	Fuselage Cabin and Baggage Door Installation.....	1C4
14	Fuselage Enclosure Installation.....	1C9
SECTION III TAIL SURFACES GROUP		
15	Tail Surfaces Installation.....	1C13
16	Stabilator Assembly.....	1C17
17	Fin Assembly.....	1C20
18	Rudder Assembly.....	1C23
SECTION IV LANDING GEAR GROUP		
19	Nose Landing Gear Installation.....	1D2
20	Nose Gear Assembly.....	1D6
21	Nose Wheel Assembly (Cleveland).....	1D10
22	Nose Wheel Assembly (McCauley).....	1D13
23	Main Gear Installation.....	1D16
24	Main Wheel Assembly.....	1D20
24A	Main Wheel Assembly (Heavy Duty) (S/N 28-8111001 and up).....	1D23
25	Brake Assembly.....	1E2
26	Brake Assembly (Heavy Duty) (S/N 28-8111001 and up).....	1E5
27	Main and Nose Wheel Fairing Installation.....	1E8
28	Main Gear Strut Fairing Installation.....	1E11
29	Hand Brake Installation.....	1E14
30	Toe Brake Installation.....	1E17
31	Toe Brake Master Cylinder Assembly.....	1E20
SECTION V CABIN EQUIPMENT		
32	Cockpit Finishing Installation.....	1F1
33	Window Curtains Installation.....	1F8
34	Carpet Installation.....	1F11
35	Seats Installation.....	1F16
36	Vertically Adjustable Front Seat Assembly.....	1F21

**PIPER AIRCRAFT
PA-28-236 DAKOTA
AIRPLANE PARTS CATALOG**

TABLE OF CONTENTS

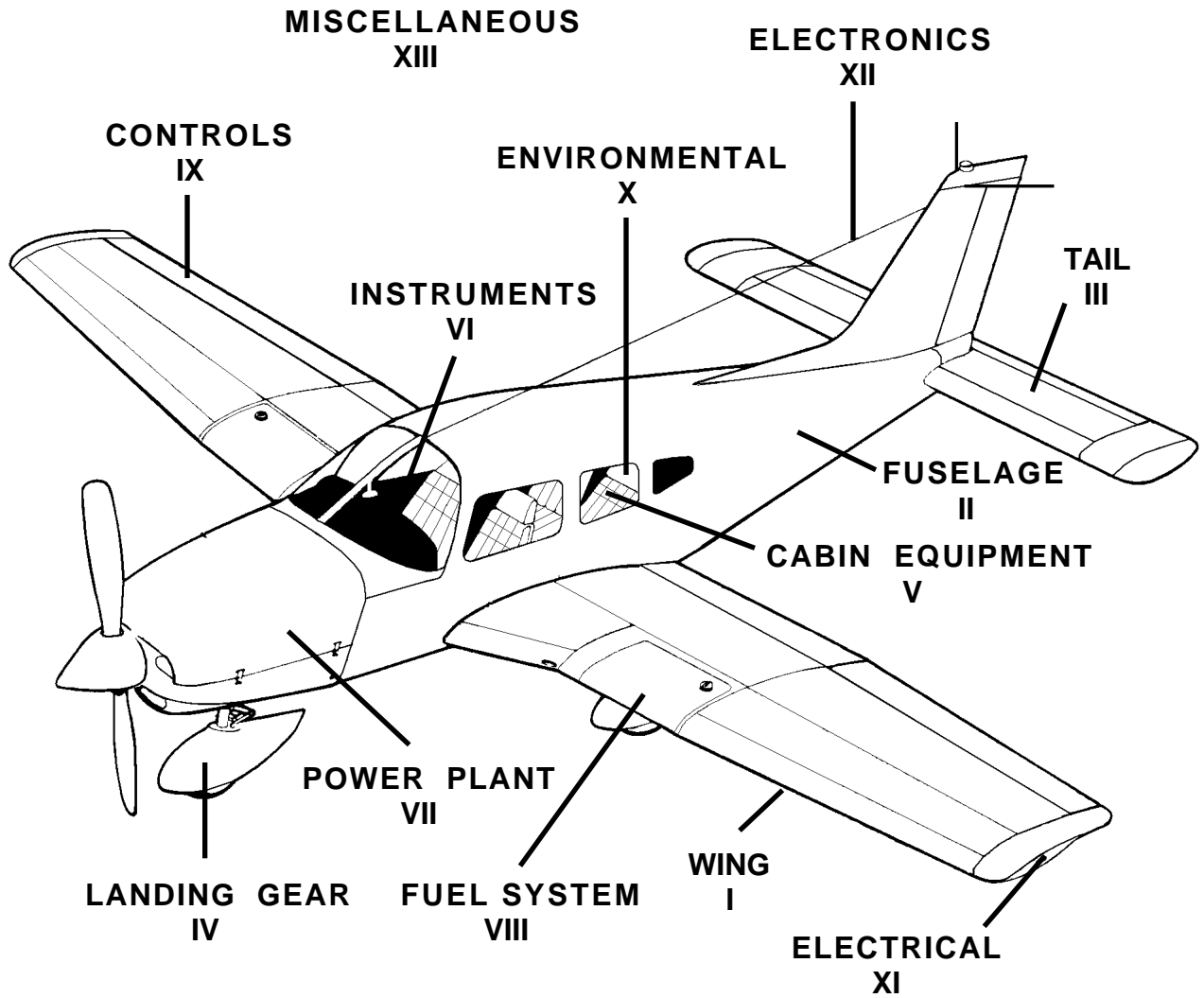
FIGURE NUMBER	FIGURE TITLE	GRID NUMBER
SECTION VI INSTRUMENTS GROUP		
37	Instrument Panel Installation.....	1G2
38	Vacuum System Installation.....	1G7
38a	Auxiliary Vacuum Pump System.....	1G10
39	Pitot Static System Installation.....	1G13
SECTION VII POWER PLANT GROUP		
40	Power Plant Installation.....	1G16
41	Engine Instrument Lines Installation.....	1G20
42	Engine Exhaust System Installation.....	1G23
43	Engine Baffle Installation.....	1H2
44	Engine Cowl Installation.....	1H5
45	Propeller Assembly (Hartzell).....	1H8
46	Engine Controls Installation	1H11
SECTION VIII FUEL SYSTEM GROUP		
47	Fuel System Installation.....	1H15
48	Fuel Tank Assembly.....	1H19
SECTION IX CONTROL SYSTEM GROUP		
49	Aileron Control Installation.....	1H22
50	Rudder Control Installation.....	1I1
51	Rudder Trim Mechanism Installation.....	1I4
52	Stabilator Control Installation.....	1I7
53	Stabilator Trim Installation.....	1I10
54	Flap Control Installation	1I14
55	Control Wheel Installation.....	1I18
56	Rudder Pedal Installation.....	1I22
SECTION X ENVIRONMENTAL GROUP		
57	Cabin Heat and Defroster Installation.....	1J1
58	Fresh Air Ventilation Installation.....	1J4
59	Air Conditioning Compressor, Refrigerant Lines and Alternator Installation.....	1J8
60	Air Conditioning Duct and Evaporator Installation.....	1J12
61	Air Conditioning Condenser Installation.....	1J15
SECTION XI ELECTRICAL SYSTEM GROUP		
62	Electrical System Installation	1J18
63	Instrument Panel Electrical Installation.....	1J22
64	Air Conditioning Electrical Installation.....	1K2
65	Battery Installation.....	1K5
66	External Power Supply Installation.....	1K8
67	Alternator Assembly and Installation(Chrysler).....	1K11
68	Alternator Assembly (Prestolite).....	1K15
69	Strobe Lights Installation.....	1K18

**PIPER AIRCRAFT
PA-28-236 DAKOTA
AIRPLANE PARTS CATALOG**

TABLE OF CONTENTS

FIGURE NUMBER	FIGURE TITLE	GRID NUMBER
SECTION XII ELECTRONICS GROUP		
70	Electric Trim Installation.....	2A13
70A	AutoFlite II Installation.....	2A16
70B	AutoControl IIIB Installation (S/N 28-7911001 to 28-8211060 incl.).....	2A19
70C	Century 21 AutoPilot Installation (S/N 28-8111019 and up).....	2A22
70D	King KAP 100/150 AutoPilot Installation (S/N 28-8311001 and up).....	2B1
71	Piper Automatic Locator (ELT) Installation (Communications Components Corp.).....	2B4
71A	Piper Automatic Locator (ELT) Installation (Narco Avionics).....	2B7
72	Encoder Installation (Narco - AR 500 & United - 5125-P3).....	2B10
73	Radio Antenna System and Static Wicks Installation.....	2B13
74	Audio Selector Assembly.....	2B16
75	Avionics Cooling Installation.....	2B19
	Radio Installation Drawings.....	2B23
SECTION XIII MISCELLANEOUS GROUP		
76	Placards and Exterior Stencils.....	2B24
	Optional Equipment Kits and Repair Kits.....	2C5
	NUMERICAL INDEX.....	2C6

PIPER AIRCRAFT
PA-28-236 DAKOTA
AIRPLANE PARTS CATALOG



**PIPER AIRCRAFT
PA-28-236 DAKOTA
AIRPLANE PARTS CATALOG**

**GRID 2A12
INTENTIONALLY LEFT BLANK**

PIPER AIRCRAFT
PA-28-236 DAKOTA
AIRPLANE PARTS CATALOG

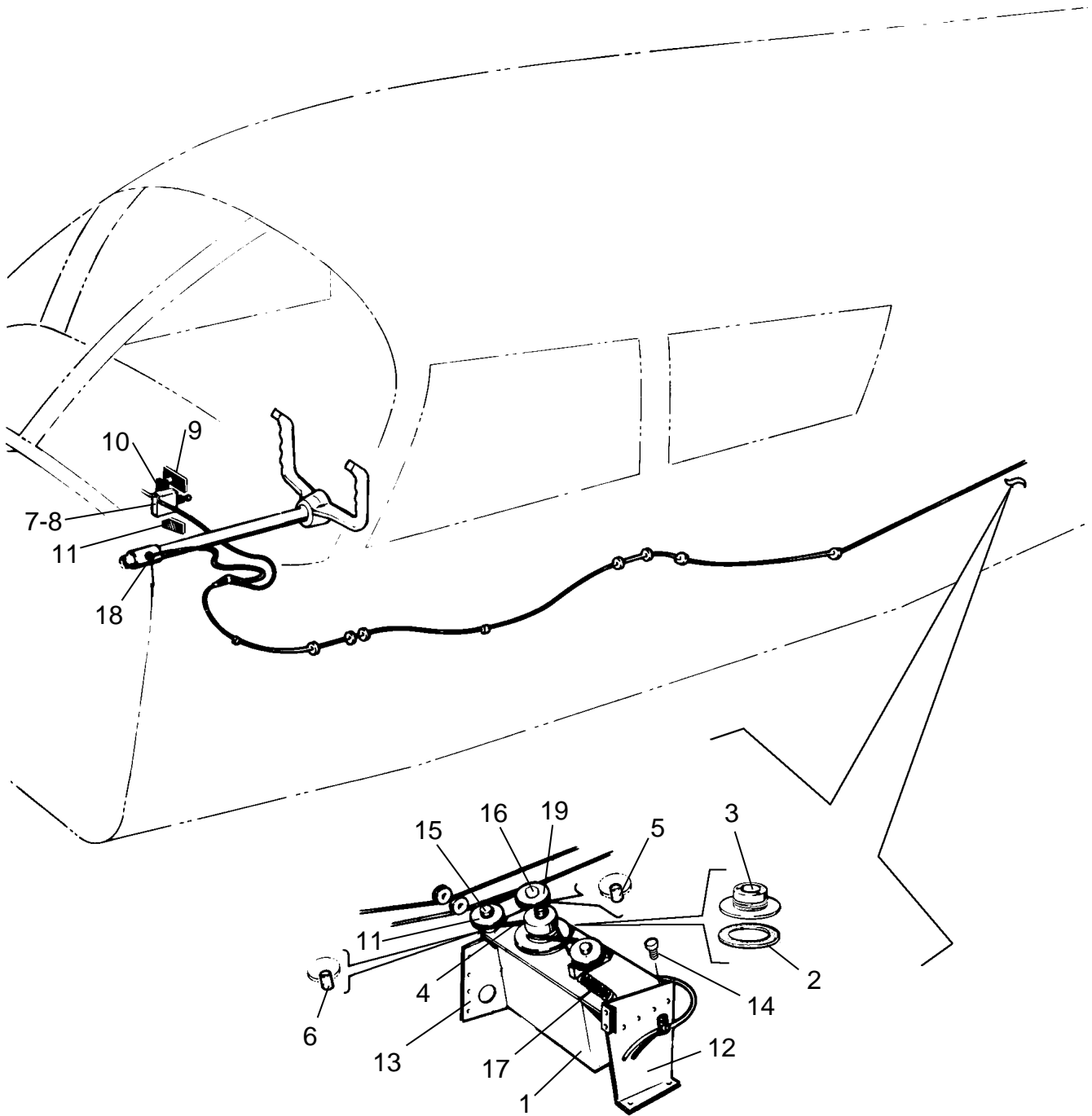


Figure 70. Electric Trim Installation

Reissued: June 1, 1990

**PIPER AIRCRAFT
PA-28-236 DAKOTA
AIRPLANE PARTS CATALOG**

CODE EXPLANATIONS FOR FIGURE 70

- A - Used on serial numbers 28-8211026 and up. Also used on serial numbers 28-7911001 thru 28-8211025 if Pitch Trim Switch Replacement Kit 764 401 has been installed.
- B - Used if a push on-off switch is installed.

PIPER AIRCRAFT PA-28-236 DAKOTA AIRPLANE PARTS CATALOG

Figure and Index Number	Part Number	Code	Nomenclature	No. Req.	Serial Numbers Affected
70-	67496		DRAWING - Electric Trim Installation		
-1	65821-05		SERVO ASSEMBLY - Trim	1	
-2	494 159		* WASHER - Servo friction (24696-00)	1	
-3	581 126		* PLATE - Servo clutch, outer (24695-00)	1	
-4	62701-111		CABLE ASSEMBLY - Front stabilator trim	1	
-5	63900-66		BUSHING - Electric trim	1	
-6	63900-67		BUSHING - Electric trim	1	
-7	764 401		PITCH TRIM SWITCH REPLACEMENT KIT	1	28-7911001 thru 28-8211025
-8	587 923	A	* SWITCH - Electric trim (PS10095-1)	1	
-9	87369-38	A	* PLACARD - Pitch trim	1	
-10	87369-39	A	* PLACARD - ON-OFF	1	
-11	67490-02	B	PLACARD - Pitch trim	1	
-12	68674-00		BRACKET ASSEMBLY - Electric trim	1	
-13	68676-00		BRACKET - Electric trim	1	
-14	401 266		BOLT - (AN3-5A)	2	
	407 564		WASHER - (AN960-10)	2	
	404 887		NUT - (MS20365-1032C)	2	
-15	400 443		BOLT - (AN3-12A)	1	
	407 564		WASHER - (AN960-10)	1	
	404 887		NUT - (MS20365-1032C)	1	
-16	400 444		BOLT - (AN3-13A)	1	
	407 564		WASHER - (AN960-10)	1	
	404 887		NUT - (MS20365-1032C)	1	
-17	65784-00		SPRING - Electric trim	1	
-18	434 126		GROMMET - (AN931-3-5)	1	
-19	481 640		PULLEY - (MS24566-1B)	2	

When ordering, always specify Part Number, Description, and Serial Number of Aircraft

Reissued: June 1, 1990

PIPER AIRCRAFT
PA-28-236 DAKOTA
AIRPLANE PARTS CATALOG

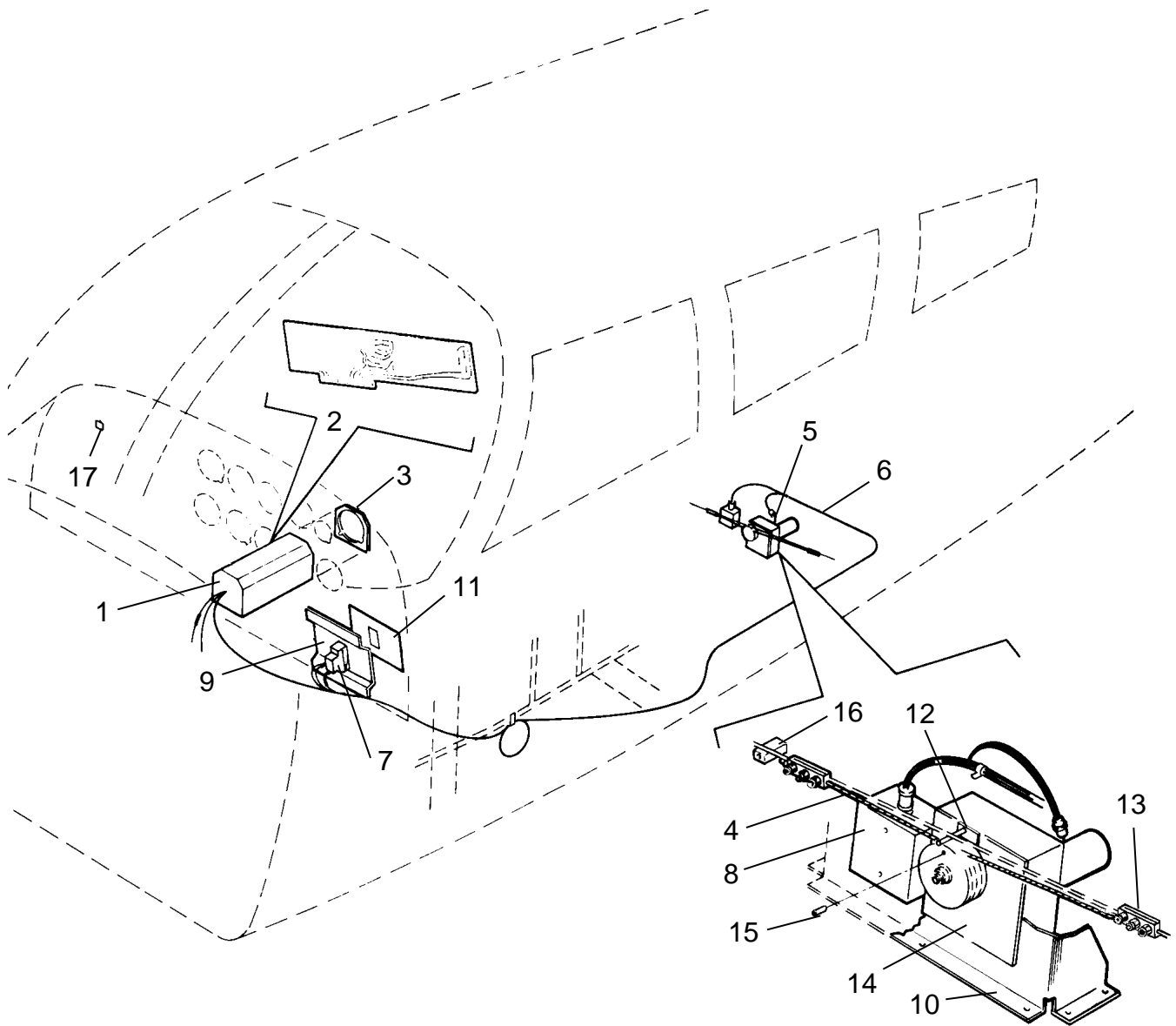


Figure 70A. AutoFlite II Installation

Reissued: June 1, 1990

**PIPER AIRCRAFT
PA-28-236 DAKOTA
AIRPLANE PARTS CATALOG**

CODE EXPLANATIONS FOR FIGURE 70A

- A - Used if AutoFlite II without tracker is installed.
- B - Used if AutoFlite II with tracker installed.

PIPER AIRCRAFT PA-28-236 DAKOTA AIRPLANE PARTS CATALOG

Figure and Index Number	Part Number	Code	Nomenclature	No. Req.	Serial Numbers Affected
70A-	99447		DRAWING - AutoFlite II Installation		
-1	52586-02	A	INSTRUMENT - Turn and bank (52D75-3)	1	
	755 432	B	INSTRUMENT - Turn and bank (52D75-4)	1	
-2	758 188	B	* TRACKER BOARD - Printed circuit (1D628)	1	
-3	99209-00		PLATE - Turn and bank mounting	1	
-4	753 980		CABLE - Bridle (30B200)	1	
-5	758 001		CABLE ASSEMBLY - Roll servo (30C211-8R)	1	
-6	757 913		CABLE ASSEMBLY - (30C379-1)	1	
-7	487 901		SWITCH - (8134-K21A1V-50)	1	
-8	758 181		BOX - Relay (1A526)	1	
-9	66798-00		BRACKET - AutoFlite II	1	
-10	453 425		BRACKET - Servo mounting (7C511-3)	1	
-11	99448-00		PLACARD - AutoFlite II	1	
-12	751 897		GUARD - Cable (7A1696-1)	1	
-13	757 863		CLAMP ASSEMBLY - Bridle cable (42A173-1)	2	
-14	757 768		SERVO - Roll (1C363-1-430R)	1	
-15	757 579		* SET SCREW - Capstan (3S326)	1	
-16	758 296		BLOCK - Rub (7A1373)	1	
-17	454 656		CIRCUIT PROTECTOR - (PS50120-3-7) 5 amp	1	

When ordering, always specify Part Number, Description, and Serial Number of Aircraft

PIPER AIRCRAFT
PA-28-236 DAKOTA
AIRPLANE PARTS CATALOG

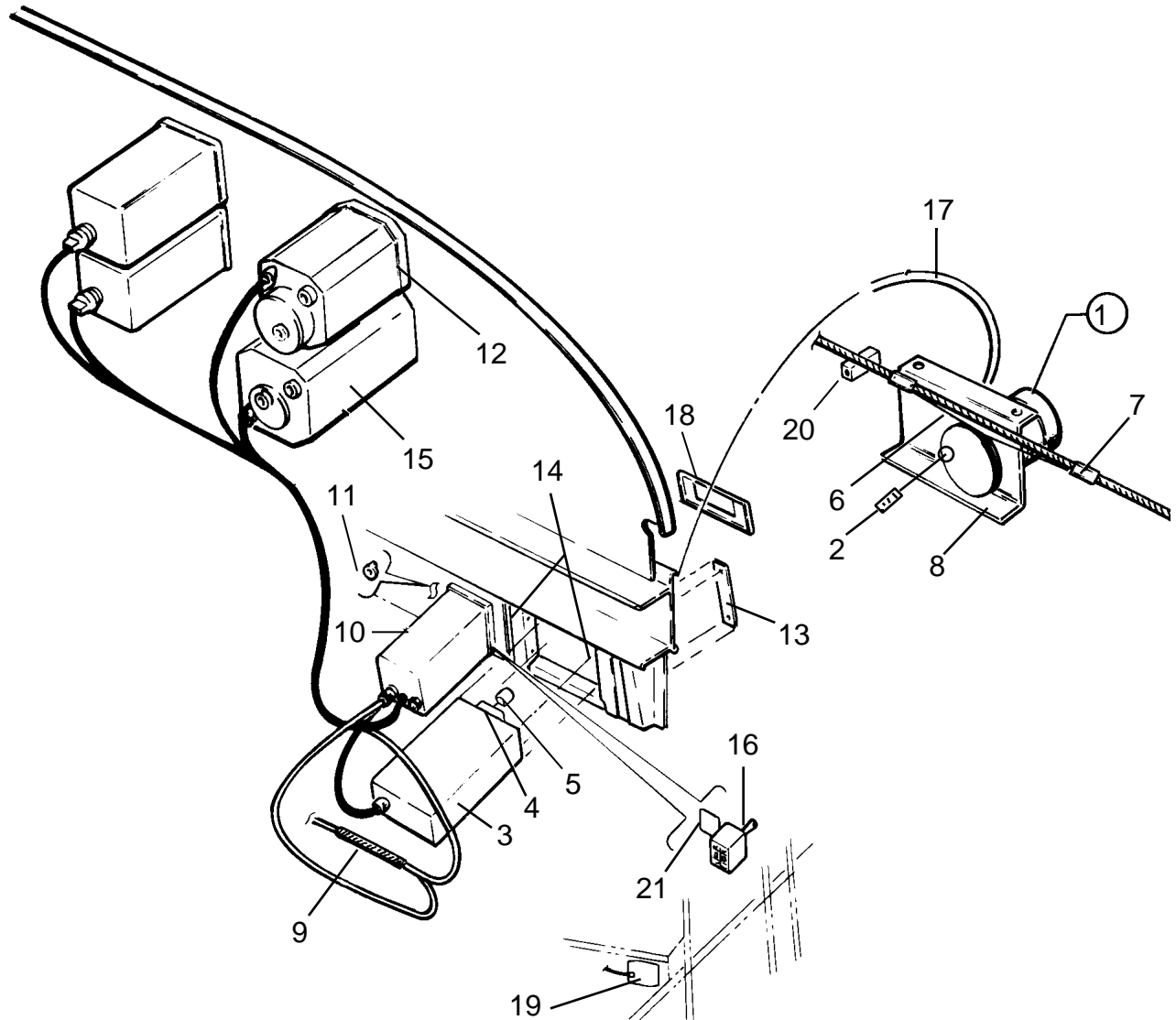


Figure 70B. AutoControl III B Installation
(S/N 28-7911001 thru 28-8211060)

Reissued: June 1, 1990

**PIPER AIRCRAFT
PA-28-236 DAKOTA
AIRPLANE PARTS CATALOG**

CODE EXPLANATIONS FOR FIGURE 70B

A - When ordering, specify color "bark II" or black.

PIPER AIRCRAFT PA-28-236 DAKOTA AIRPLANE PARTS CATALOG

Figure and Index Number	Part Number	Code	Nomenclature	No. Req.	Serial Numbers Affected
70B-	79221		DRAWING - AutoControl III B Installation		
-1	757 768		SERVO ASSEMBLY - Roll (1C363-1-430R)	1	
-2	757 579		* SET SCREW - Capstan (3S326)	1	
-3	758 023		CONSOLE AMPLIFIER ASSEMBLY - AutoControl III B (1C338 S/N 1001 and up)	1	
-4	758 024		* CIRCUIT BOARD - Face plate light (includes 4 bulbs) (1B686)	1	
-5	757 052		* KNOB - (36A98)	1	
-6	753 980		CABLE ASSEMBLY - Bridle (30B200)	1	
-7	757 863		CLAMP ASSEMBLY - Bridle cable (42A173-1)	2	
-8	453 425		BRACKET - Servo mounting (7C511-3)	1	
-9	751 987		HARNESS ASSEMBLY - Amplifier (30C198)	1	
-10	551 114		COUPLER ASSEMBLY- Omni (25690-00)	1	
-11	757 052		* KNOB - (36A98)	1	
-12	550 780		INSTRUMENT - Gyro horizon (32172-00) (3 inch)	1	
-13	67493-00		SPACER - AutoControl console	2	
-14	67494-00		ANGLE - AutoControl console support, left	1	
	67494-01		ANGLE - AutoControl console support, right	1	
-15	550 778		INSTRUMENT - Directional gyro (32168-00) (3 inch)	1	
-16	688 164		SWITCH - Omni coupler (MTG-206P)	1	
-17	758 002		CABLE ASSEMBLY - Roll servo extension (30C211-156R)	1	
-18	79560-00	A	COVER - Console amplifier assembly	1	
-19	754 836		FILTER - Roll signal (1B440-2)	1	
-20	758 296		BLOCK - Rub (7A1373)	1	
-21	69509-00		PLACARD - Omni coupler switch	1	28-7911001 thru 28-7911100
	35669-126		PLACARD - Omni coupler switch	1	28-7911101 and up

When ordering, always specify Part Number, Description, and Serial Number of Aircraft

PIPER AIRCRAFT
PA-28-236 DAKOTA
AIRPLANE PARTS CATALOG

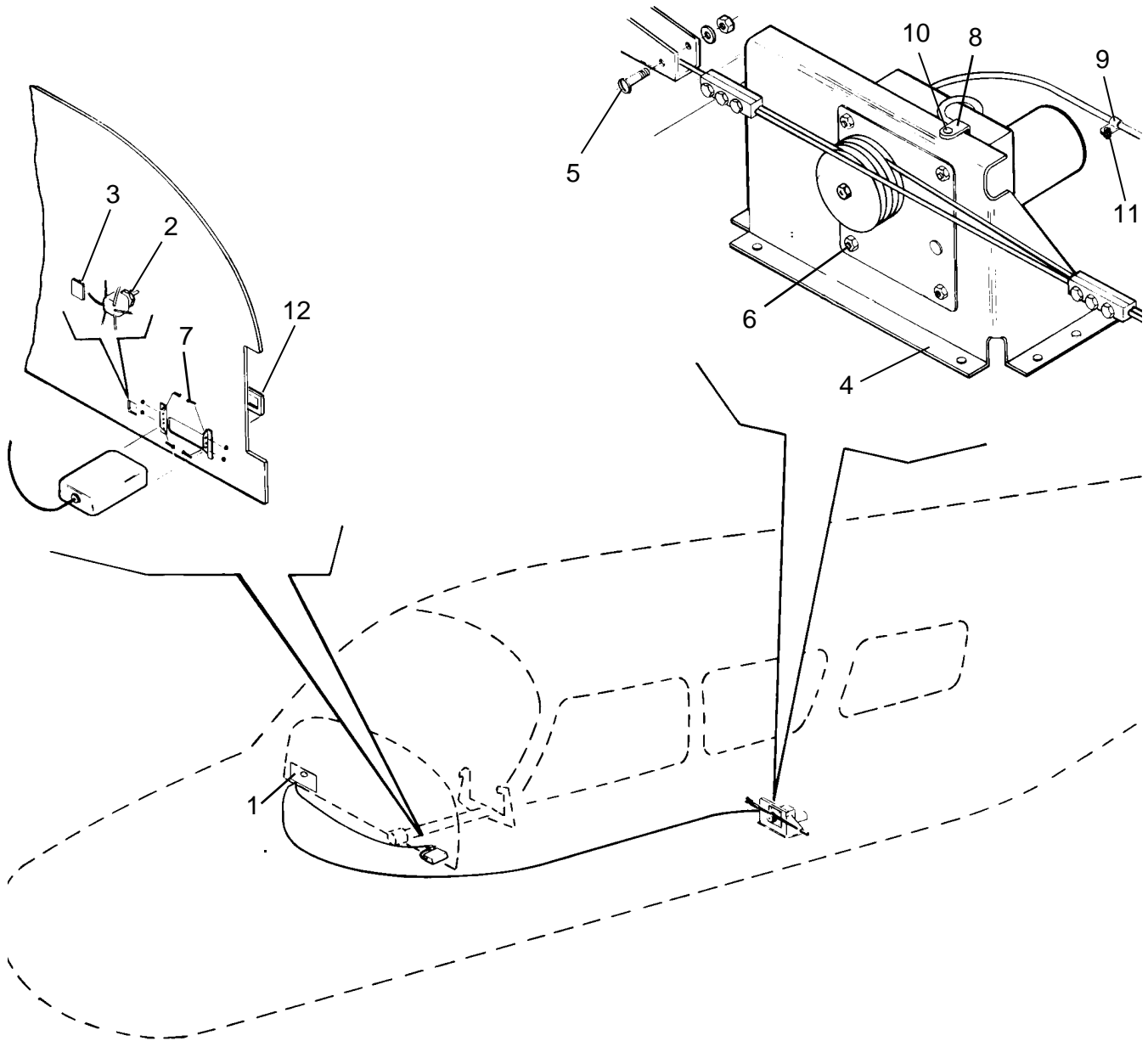


Figure 70C. Century 21 AutoPilot Installation
(S/N 28-8111019 and up)

Reissued: June 1, 1990

**PIPER AIRCRAFT
PA-28-236 DAKOTA
AIRPLANE PARTS CATALOG**

CODE EXPLANATIONS FOR FIGURE 70C

- A - This installation is relative only to associated Piper Aircraft Corporation parts that are used when installing Mitchell Century 21 AutoPilot. All Mitchell equipment and components must be procured from an authorized Mitchell Service Center or from Edo-Aire Mitchell, Post Office Box 610, Municipal Airport, Mineral Wells, Texas 76067.

PIPER AIRCRAFT PA-28-236 DAKOTA AIRPLANE PARTS CATALOG

Figure and Index Number	Part Number	Code	Nomenclature	No. Req.	Serial Numbers Affected
70C-	39726		DRAWING - Century 21 AutoPilot Installation		
-1	454 706		CIRCUIT BREAKER - (PS50120-1-2) 5 amp	1	
	454 668		CIRCUIT BREAKER - (PS50120-3-8) 5 amp	1	
-2	688 153		SWITCH - (SF3GBX191)	1	
-3	87369-05		PLACARD - Nav 1 off Nav 2	1	
-4	453 425		BRACKET - Mounting (7C511-3)	1	
-5	415 540		SCREW - (MS35206-250)	1	
	407 563		WASHER - (AN960-8)	1	
	404 910		NUT - (MS20365-832C)	1	
-6	400 438		BOLT - (AN3-4A)	4	
	407 674		WASHER - (AN960-C10)	4	
	404 887		NUT - (MS20365-1032C)	4	
-7	414 694		SCREW - (MS24693-S4)	6	
-8	554 954		CLAMP - (PS10017-8-4)	1	
-9	487 722		CLAMP - (PS10017-3-3-6F)	1	
-10	415 533		SCREW - (MS35206-243)	1	
	404 910		NUT - (MS20365-832C)	1	
-11	415 544		SCREW - (MS35206-244)	1	
	407 120		NUT - (AN936-B8)	1	
-12	39800-02		INSERT - AutoPilot	1	

When ordering, always specify Part Number, Description, and Serial Number of Aircraft

PIPER AIRCRAFT
PA-28-236 DAKOTA
AIRPLANE PARTS CATALOG

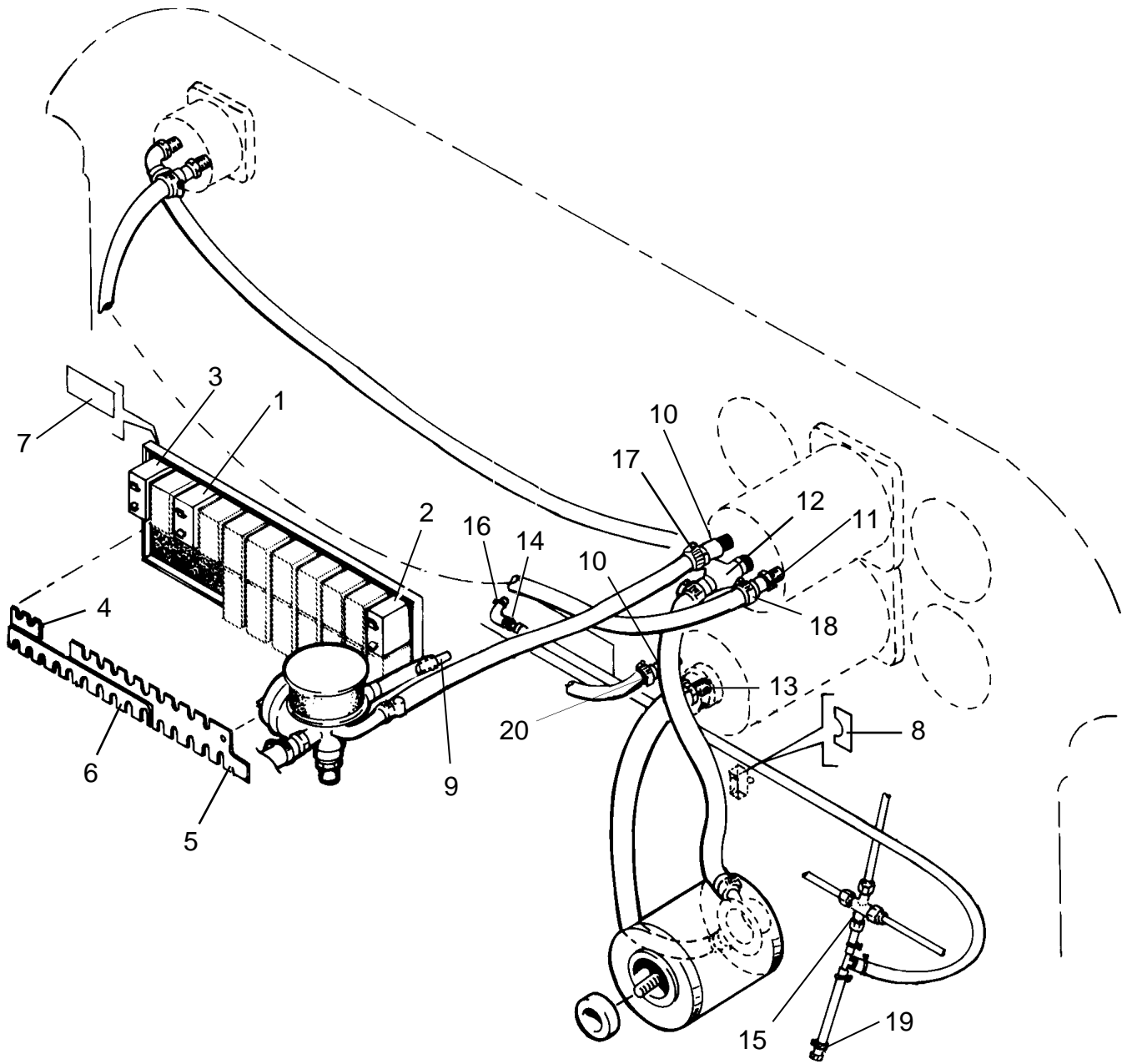


Figure 70D. King KAP 100/150 AutoPilot Installation
(S/N 28-8311001 and up)

Reissued: June 1, 1990

**PIPER AIRCRAFT
PA-28-236 DAKOTA
AIRPLANE PARTS CATALOG**

CODE EXPLANATIONS FOR FIGURE 70D

- A - This installation is relative only to associated Piper Aircraft Corporation parts that are used when installing King KAP 100/150 Autopilot. All King equipment and components must be procured from King Radio Corporation, 400 N. Rogers Road, Olathe, Kansas 66061.

PIPER AIRCRAFT PA-28-236 DAKOTA AIRPLANE PARTS CATALOG

Figure and Index Number	Part Number	Code	Nomenclature	No. Req.	Serial Numbers Affected
70D-	39874		DRAWING - King KAP 100/150 Autopilot Installation		
-1	454 657		CIRCUIT BREAKER - Autopilot, 10 amp (PS50120-3-12)	1	
-2	454 681		CIRCUIT BREAKER - Pitch trim, 5 amp (PS50120-3-6)	1	
-3	454 706		CIRCUIT BREAKER - Compass system, 5 amp (PS50120-1-2)	1	
-4	35208-04		STRIP - Circuit breaker	1	
-5	35208-09		STRIP - Circuit breaker	1	
-6	35208-10		STRIP - Circuit breaker	1	
-7	35669-110		PLACARD - Compass system	1	
-8	87369-40		PLACARD - Nav 1/Nav 2	1	
-9	96268-00		PLUG ASSEMBLY	1	
-10	451 939		ADAPTER - (1K10-4-6)	2	
-11	451 881		ADAPTER - (1K10-2-4)	1	
-12	560 835		ELBOW - (1K31-4-6-4)	1	
-13	558 913		ELBOW - (1K9-4-6)	1	
-14	491 049		UNION - (AN815-3D)	1	
-15	455 417		CROSS - (AN827-3D)	1	
-16	454 806		CLAMP - (SAE TY E-7)	4	
-17	554 888		CLAMP - (SAE TY F-6)	4	
-18	554 861		CLAMP - (SAE TY F-4)	4	
-19	554 575		CLAMP - (PS10017-23-4)	1	
-20	554 598		CLAMP - (NAS397-12)	2	

When ordering, always specify Part Number, Description, and Serial Number of Aircraft

PIPER AIRCRAFT
PA-28-236 DAKOTA
AIRPLANE PARTS CATALOG

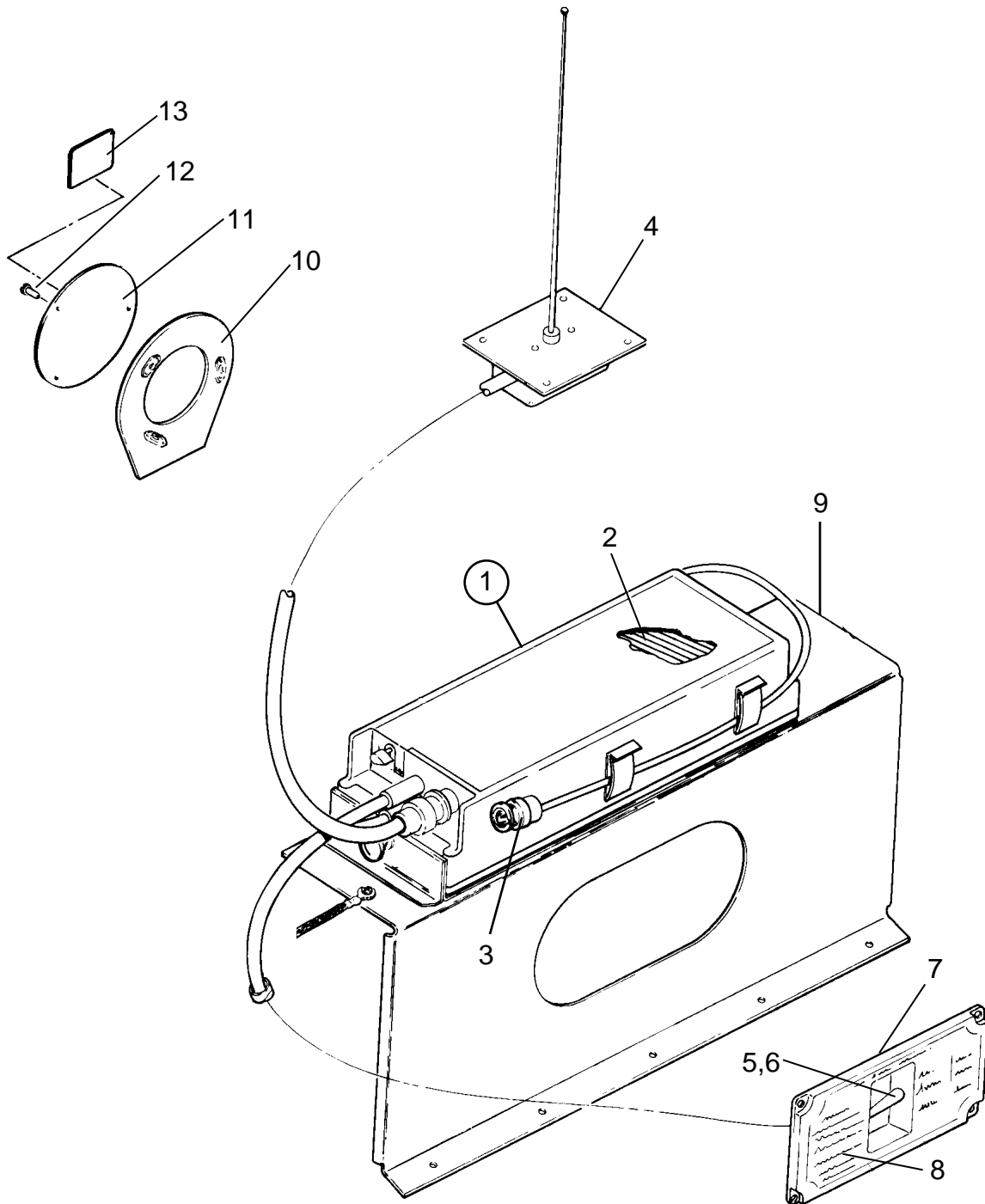


Figure 71. Piper Automatic Locator (ELT) Installation
(Communications Components Corp.)

Reissued: June 1, 1990

**PIPER AIRCRAFT
PA-28-236 DAKOTA
AIRPLANE PARTS CATALOG**

CODE EXPLANATIONS FOR FIGURE 71

A - When ordering, specify color "bark II" or black.

PIPER AIRCRAFT PA-28-236 DAKOTA AIRPLANE PARTS CATALOG

Figure and Index Number	Part Number	Code	Nomenclature	No. Req.	Serial Numbers Affected
71-	79761		DRAWING - Piper Automatic Locator (ELT) Installation		
-1	762 030		TRANSMITTER ASSEMBLY - Automatic locator (CIR-11-2) (includes alkaline battery pack)	1	
-2	758 528		* BATTERY PACK - Transmitter assembly (alkaline)	1	
-3	758 092		* ANTENNA ASSEMBLY - Portable (10-249)	1	
-4	763 004		ANTENNA ASSEMBLY - Whip (10-234)	1	
-5	79762-02		SWITCH AND HARNESS ASSEMBLY - ELT	1	
-6	588 030		* SWITCH - (8A2051)	1	
-7	79463-02	A	COVER - ELT Switch	1	
-8	69669-66		PLACARD - Warning	1	
-9	99887-04		BRACKET ASSEMBLY - Emergency locator transmitter	1	
-10	99888-00		RING ASSEMBLY - Emergency locator transmitter	1	
-11	99889-00		COVER ASSEMBLY - Emergency locator transmitter	1	
-12	486 281		SCREW - (PS10015-B8-12NA)	3	
-13	35669-105		PLACARD - ELT Location	1	

When ordering, always specify Part Number, Description, and Serial Number of Aircraft

PIPER AIRCRAFT
PA-28-236 DAKOTA
AIRPLANE PARTS CATALOG

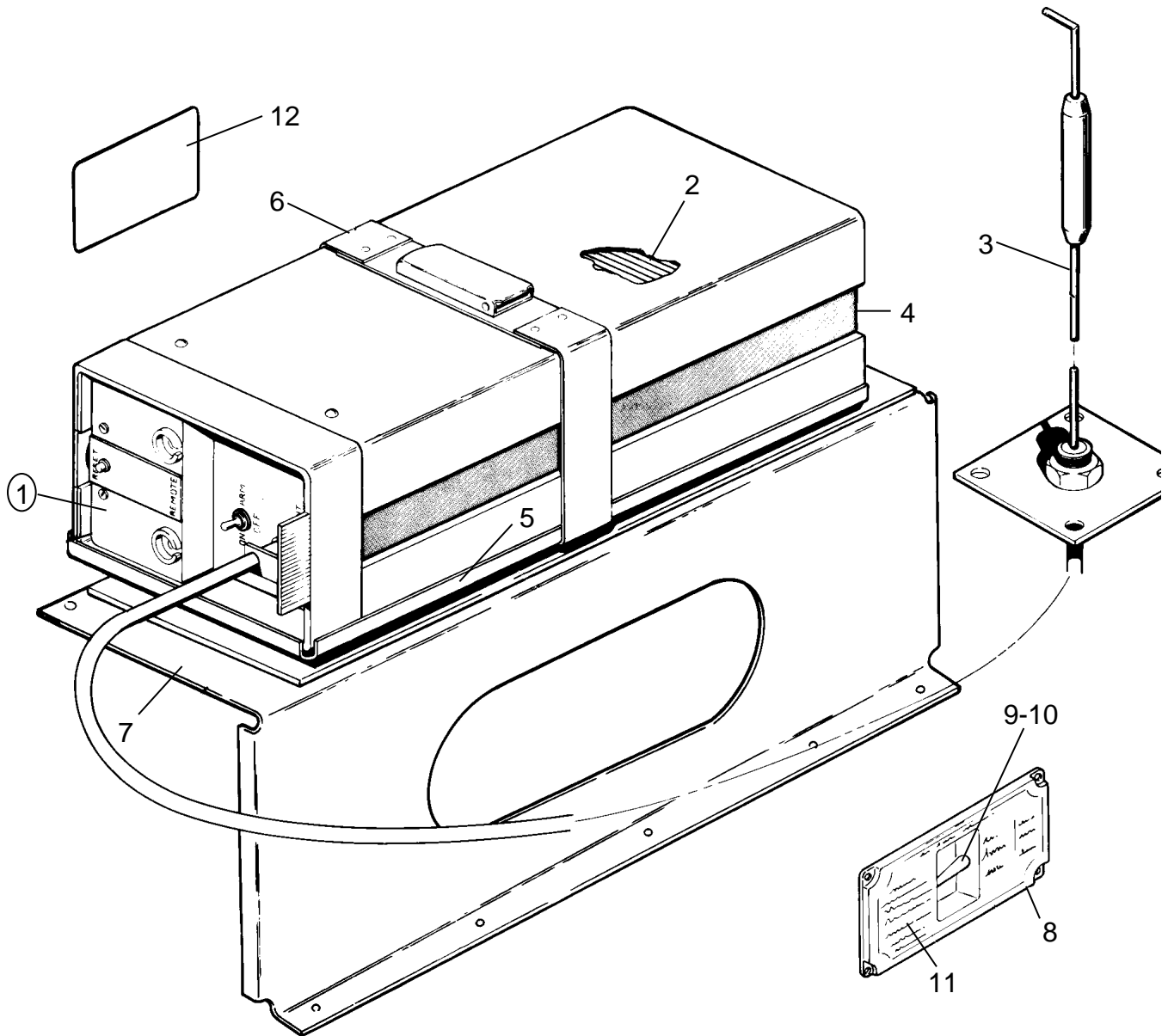


Figure 71A. Piper Automatic Locator (ELT) Installation
(Narco Avionics)

Reissued: June 1, 1990

**PIPER AIRCRAFT
PA-28-236 DAKOTA
AIRPLANE PARTS CATALOG**

CODE EXPLANATIONS FOR FIGURE 71A

A - When ordering, specify color "bark II" or black.

PIPER AIRCRAFT PA-28-236 DAKOTA AIRPLANE PARTS CATALOG

Figure and Index Number	Part Number	Code	Nomenclature	No. Req.	Serial Numbers Affected
71A-	36632		DRAWING - Piper Automatic Locator (ELT) Installation		
-1	597 461		TRANSMITTER ASSEMBLY - Automatic locator (ELT 10) (includes alkaline battery pack)	1	
-2	758 452		* BATTERY PACK - Transmitter assembly (57674-0001)	1	
-3	597 257		* ANTENNA ASSEMBLY - E.L.T. (01652-0101)	1	
-4	763 019		* ANTENNA - Blade, portable (57667-0001)	1	
-5	758 453		* BASE - Transmitter assembly (57666-0001)	1	
-6	762 357		* STRAP - Transmitter assembly (57682-0101)	1	
-7	99887-06		BRACKET ASSEMBLY - Emergency locator transmitter	1	
	99987-07		BRACKET ASSEMBLY - ELT	1	2811033 and up
-8	79463-00	A	COVER - ELT switch	1	
-9	79599-00		SWITCH AND HARNESS ASSEMBLY - ELT	1	
-10	588 011		* SWITCH - (8E1011)	1	
-11	35669-132		PLACARD - Warning	1	
-12	35669-105		PLACARD - ELT location	1	

When ordering, always specify Part Number, Description, and Serial Number of Aircraft

PIPER AIRCRAFT
PA-28-236 DAKOTA
AIRPLANE PARTS CATALOG

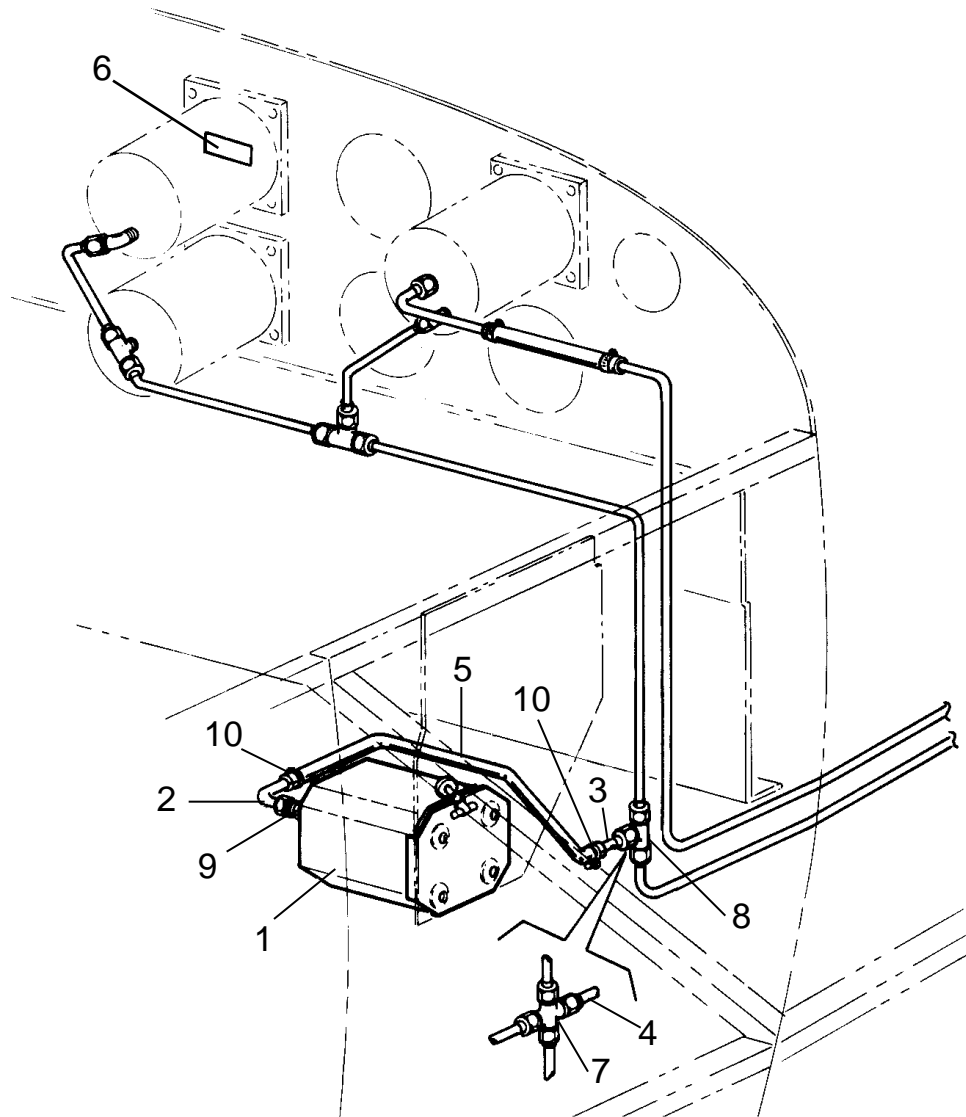


Figure 72. Encoder Installation
(Narco - AR 500 and United - 5125-P3)

Reissued: June 1, 1990

**PIPER AIRCRAFT
PA-28-236 DAKOTA
AIRPLANE PARTS CATALOG**

CODE EXPLANATIONS FOR FIGURE 72

- A - Used if alternate static system is installed.
- B - Used if alternate static system is not installed.

PIPER AIRCRAFT PA-28-236 DAKOTA AIRPLANE PARTS CATALOG

Figure and Index Number	Part Number	Code	Nomenclature	No. Req.	Serial Numbers Affected
72-	79658		DRAWING - Encoder Installation (Narco - AR 500 and United - 5125-P3)		
-1	596 605		ALTITUDE REPORTER - Narco (PS50040-30-2)	1	
	597 426		ALTITUDE REPORTER - United (PS50040-30-4)	1	28-7911161 and up
-2	63211-00		TUBE ASSEMBLY - Encoder	1	
-3	79636-04		TUBE ASSEMBLY - Encoder	1	
-4	67700-148	B	TUBE ASSEMBLY - Alternate static	1	
-5	63913-37		HOSE - Alternate static	1	
-6	35669-154		PLACARD - Altitude reporter installed	1	
-7	455 417	A	CROSS - (AN827-3D)	1	
-8	488 315	B	TEE - (AN824-3D)	1	
-9	476 647		UNION - (AN816-3D)	1	
-10	554 861		CLAMP - (SAE TY F-4)	2	

When ordering, always specify Part Number, Description, and Serial Number of Aircraft

PIPER AIRCRAFT
PA-28-236 DAKOTA
AIRPLANE PARTS CATALOG

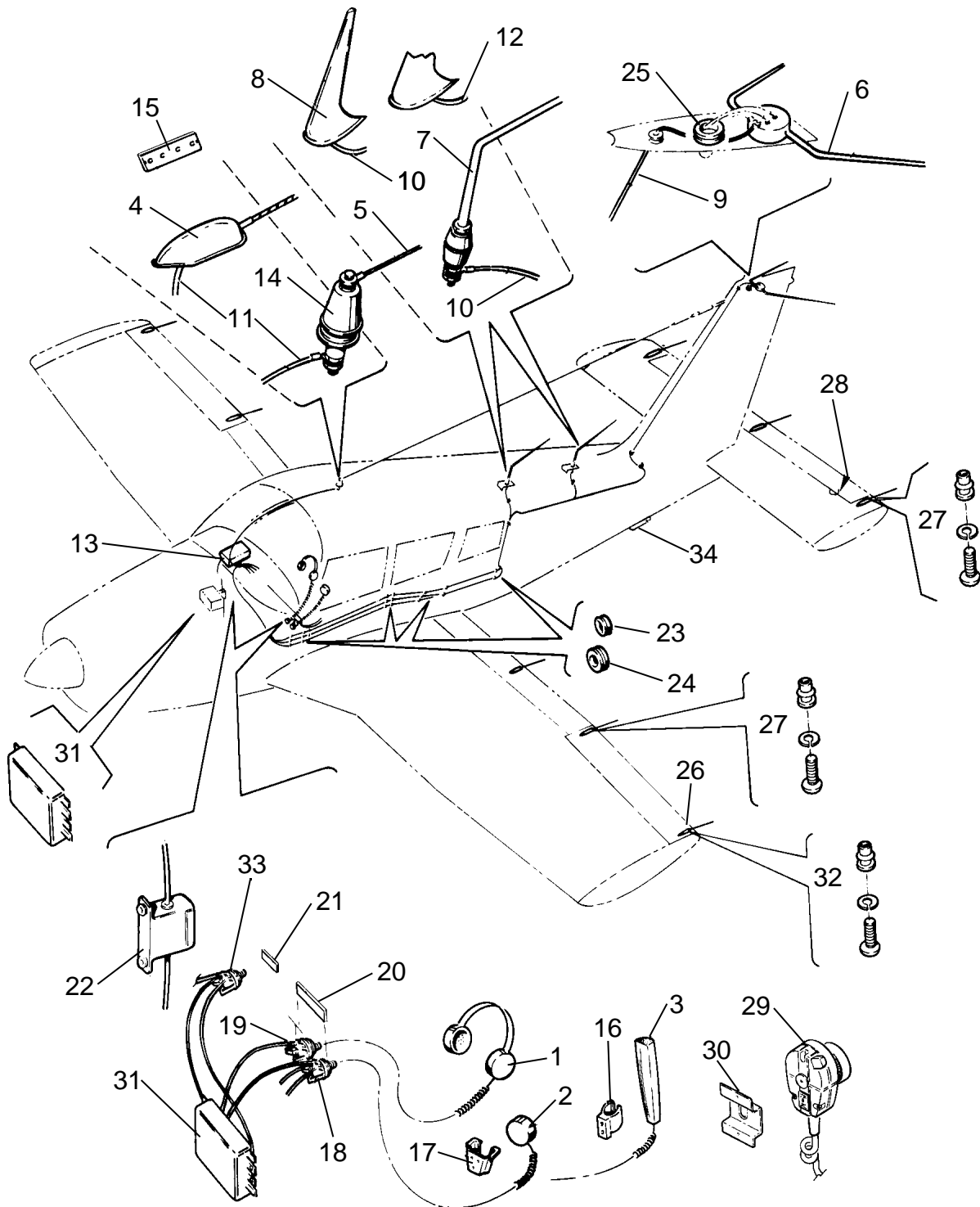


Figure 73. Radio, Antenna System and Static Wicks Installation

Reissued: June 1, 1990

**PIPER AIRCRAFT
PA-28-236 DAKOTA
AIRPLANE PARTS CATALOG**

CODE EXPLANATIONS FOR FIGURE 73

- A - See Figure 74 for component parts.
- B - With single VHF switch, ADF switch and marker beacon switches.
- C - With microphone switch, dual VHF switches and ADF switch.
- D - With microphone switch, dual VHF switches, ADF switch and marker beacon switches.
- E - Used if Bendix ADF-T-12C or ADF-T-12D receiver is installed.
- F - Used with King Avionics package only.
- G - When ordering, specify color "Bark II" or black.

**PIPER AIRCRAFT
PA-28-236 DAKOTA
AIRPLANE PARTS CATALOG**

Figure and Index Number	Part Number	Code	Nomenclature	No. Req.	Serial Numbers Affected
73-	67440		DRAWING - Radio Systems Installation		
	79153		DRAWING - All Weather Antenna Installation		
	99461		DRAWING - Radio Antenna Systems Installation		
	69667		DRAWING - Static Wick Installation		
-1	464 362		HEADPHONE	1	
	464 407		HEADPHONE - (With boom mike)	1	
-2	474 652		MICROPHONE - (Telex 60837-17)	1	
-3	474 642		MICROPHONE - (Telex 62800-001)	1	
-4	79160-00		ANTENNA ASSEMBLY - Receiving	1	
-5	99841-04		ANTENNA ASSEMBLY - Receiving	1	
-6	451 273		ANTENNA ASSEMBLY - Omni receiver (VRP-37)	1	
-7	451 272		ANTENNA ASSEMBLY - Transmitting (VTP-17)	1	
-8	596 664		ANTENNA - Broadband, VHF COMM (PS50040-18-2) (Dorne & Margolin)	2	
-9	65192-09		CABLE ASSEMBLY - Receiving	1	
-10	99610-00		CABLE ASSEMBLY - Transmitting	1	
-11	596 118		CABLE ASSEMBLY - Receiving (90677-67)	1	
-12	99610-02		CABLE ASSEMBLY - Transmitting	1	
-13	99395-00	A,B,F	AUDIO SELECTOR ASSEMBLY	1	
	99395-02	A,C,F	AUDIO SELECTOR ASSEMBLY	1	
	99395-03	A,D,F	AUDIO SELECTOR ASSEMBLY	1	
-14	467 064		INSULATOR - Antenna (135-40)	1	
-15	79152-00		STRIP ASSEMBLY - Terminal	1	
	79152-02	E	STRIP ASSEMBLY - Terminal	1	
-16	565 523		HOLDER - Microphone (64022-000)	1	
-17	99680-08	G	SUPPORT - Microphone	1	
-18	468 002		JACK - Mike (S12B)	2	
-19	468 006		JACK - Phone (11)	1	
-20	67471-00		PLACARD - Mike and phone	1	
-21	66837-00		PLACARD - Mike jack (with console mike jack)	1	
-22	555 501		COUPLER - Dual Nav-Com (AVB-10)	1	
	555 421		COUPLER - Dual Nav-Com with glide slope (AV-570)	1	28-7911142 and up
-23	453 838		BUSHING - Snap (PS10064-500-6)	8	
-24	453 836		BUSHING - Snap (PS10064-437-5)	8	
-25	434 144		GROMMET - (MS35489-23)	1	
-26	494 678		WICK - Static (SW-10-96)	9	
-27	415 520		SCREW - (MS35206-230)	10	
	407 122		WASHER - (AN935-6L)	10	
	406 848		RIVNUT - (A6K75)	10	
-28	469 600		JUMPER ASSEMBLY - Lightning protection (MS25083-3AA6)	6	
-29	474 659		MICROPHONE - (M7008)	1	
-30	554 686		CLIP - Microphone holder (90Z1136)	1	
-31	584 137		RELAY - Boom mike (HE822C1210)	1	
-32	415 521		SCREW - (MS35206-231)	8	
	407 122		WASHER - (AN935-6L)	8	
	406 848		RIVNUT - (A6K75)	8	
-33	468 002		JACK - Mike, console (S12B)	1	28-8011001 and up

When ordering, always specify Part Number, Description, and Serial Number of Aircraft

PIPER AIRCRAFT
PA-28-236 DAKOTA
AIRPLANE PARTS CATALOG

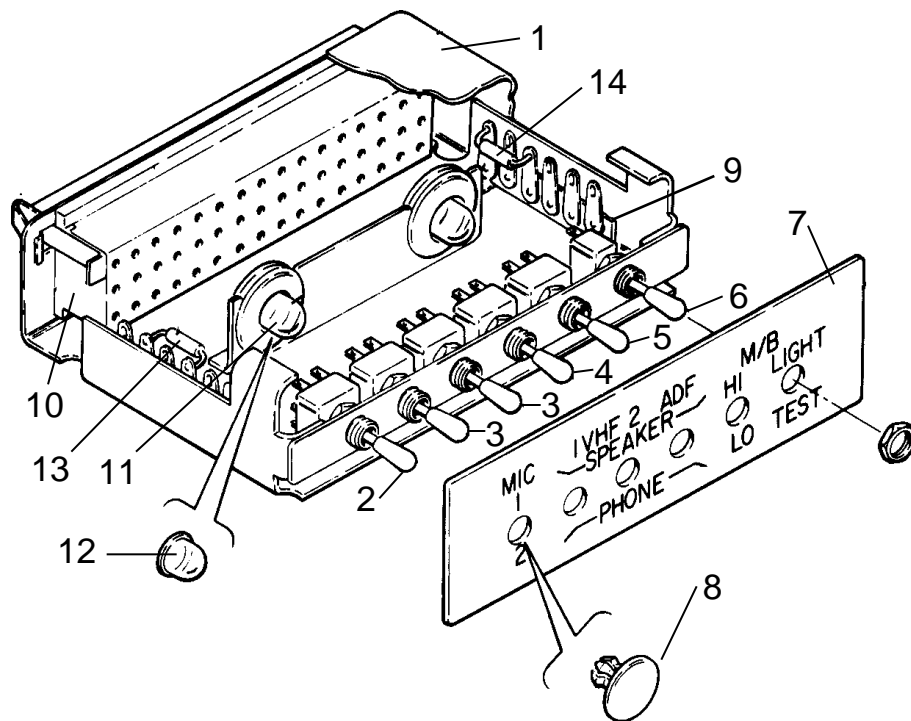


Figure 74. Audio Selector Assembly
(See Code A)

Reissued: June 1, 1990

2B16

**PIPER AIRCRAFT
PA-28-236 DAKOTA
AIRPLANE PARTS CATALOG**

CODE EXPLANATIONS FOR FIGURE 74

- A - Used with King Avionics package only.
- B - With single VHF switch, ADF switch and marker beacon switches.
- C - With microphone switch, dual VHF switches, and ADF switch.
- D - With microphone switch, dual VHF switches, ADF switch and marker beacon switch.

**PIPER AIRCRAFT
PA-28-236 DAKOTA
AIRPLANE PARTS CATALOG**

Figure and Index Number	Part Number	Code	Nomenclature	No. Req.	Serial Numbers Affected
74-1	99395-00	B	AUDIO SELECTOR ASSEMBLY	1	
	99395-02	C	AUDIO SELECTOR ASSEMBLY	1	
	99395-03	D	AUDIO SELECTOR ASSEMBLY	1	
-2	587 807		* SWITCH - Microphone (JMT-223)	1	
-3	587 808		* SWITCH - VHF (JMT-221)	2	
-4	587 808		* SWITCH - ADF (JMT-221)	1	
-5	587 808		* SWITCH - Marker beacon, Hi/Lo (JMT-221)	1	
-6	587 809		* SWITCH - Marker beacon, light test (JMT-126)	1	
-7	99344-00		* PLATE - Selector face	1	
-8	453 855		* BUTTON - Plug (207-17021-00)	2	
-9	588 356		* STRIP - Terminal (1076)	2	
-10	484 234		* RECEPTACLE - (1055R48)	1	
-11	472 056		* BULB - (PS10008-53)	2	
-12	460 602		* FILTER - Lunar white (1813-26)	2	
-13	456 703		* DIODE - (IN2071)	3	
-14	484 461		* RESISTOR - (242E3R05)	1	

When ordering, always specify Part Number, Description, and Serial Number of Aircraft

PIPER AIRCRAFT
PA-28-236 DAKOTA
AIRPLANE PARTS CATALOG

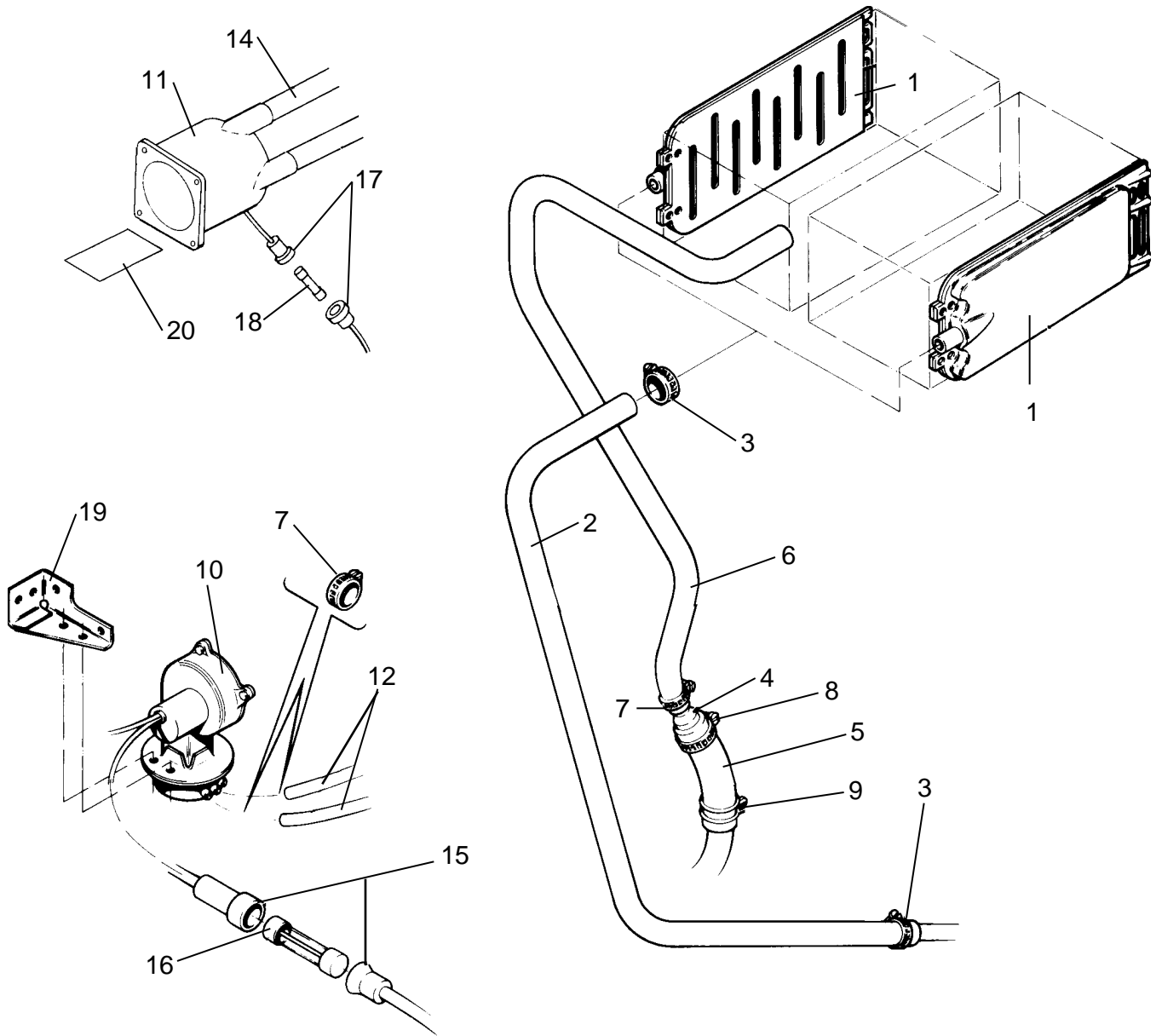


Figure 75. Avionics Cooling Installation

Reissued: June 1, 1990

**PIPER AIRCRAFT
PA-28-236 DAKOTA
AIRPLANE PARTS CATALOG**

CODE EXPLANATIONS FOR FIGURE 75

- A - Used with Avionics Cooling Blower P/N 452 997 (Bendix No. 3604529-0504) only.
- B - Used with Avionics Cooling Blower P/N 598 422 (King No. 071-4031-00) only.
- C - Required installation of Piper kit on S/N 28-8211001 thru 28-8511001

PIPER AIRCRAFT PA-28-236 DAKOTA AIRPLANE PARTS CATALOG

Figure and Index Number	Part Number	Code	Nomenclature	No. Req.	Serial Numbers Affected
75-	79406		DRAWING - Radio Cooling Installation		
	39745		DRAWING - Bendix Radio Cooling Blower Installation		28-8111001 thru 28-8211060
	39857		DRAWING - Avionics Cooling Blower Installation		28-8311001 and up
-1	79405-00		BOX ASSEMBLY - Avionics cooling	1	
-2	63633-136		HOSE - Avionics cooling (60" long)	1	
-3	554 888		CLAMP - (SAE TY F-6)	2	
-4	79487-00		REDUCER - Avionics cooling hose	1	28-8111001 thru 28-8211060
-5	63633-169		HOSE - Avionics cooling (4" long)	1	28-8111001 thru 28-8211060
-6	63633-186		HOSE - Avionics cooling (73" long)	1	28-8111001 and up
-7	554 888		CLAMP - (SAE TY F-6)	4	28-8111001 and up
-8	454 921		CLAMP - (SAE TY F-10)	1	28-8111001 thru 28-8211060
-9	554 829		CLAMP - (SAE TY A-15/16)	1	28-8111001 thru 28-8211060
-10	452 997		BLOWER - Avionics cooling, Bendix (3604529-0504)	1	28-8111001 thru 28-8211060
-11	553 003	C	BLOWER - Avionics cooling, Globe (19A6009)	1	28-8211001 and up
-12	63633-135	A	HOSE - Blower	2	28-8111001 thru 28-8211060
-13	63633-170	B	HOSE - Blower	1	28-8311001 and up
-14	598 323	B	HOSE - Blower (150-0038-00)	AR	28-8311001 and up
-15	86652-05	A	FUSE ASSEMBLY - Blower	1	28-8111001 thru 28-8211060
-16	461 629	A	* FUSE - (311005) 5 amp	1	28-8111001 thru 28-8211060
-17	86652-08	B	FUSE ASSEMBLY - Blower	1	28-8311001 and up
-18	461 629	B	* FUSE - (311005) 5 Amp	1	28-8311001 and up
-19	39745-10	A	BRACKET - Blower mount	1	28-8111001 thru 28-8211060
-20	36979-28	B	PLATE - Blower mount	1	28-8311001 and up

When ordering, always specify Part Number, Description, and Serial Number of Aircraft

**PIPER AIRCRAFT
PA-28-236 DAKOTA
AIRPLANE PARTS CATALOG**

CODE EXPLANATIONS FOR RADIO INSTALLATION DRAWINGS

PIPER AIRCRAFT PA-28-236 DAKOTA AIRPLANE PARTS CATALOG

Figure and Index Number	Part Number	Code	Nomenclature	No. Req.	Serial Numbers Affected
99844			DRAWING - Radio Installation, King KR-85		28-7911001 thru 28-8011161
39767			DRAWING - King KR87 Radio Installatioin		28-8111001 and up
79051			DRAWING - Single ADF Installation, King KR-86		
79053			DRAWING - DME Installation, King KN-65/65A		28-7911001 thru 28-7911395
36968			DRAWING - DME Installation, King KN-62/62A		28-8011001 and up
79628			DRAWING - Radio Installation, King KN61 DME		28-7911001 thru 28-7911395
79814			DRAWING - King KT76A/78A Transponder Installation		
79001			DRAWING - King KMA-20 Audio and Marker Beacon		28-7911001 thru 28-8011161
39770			DRAWING - King KMA-24 Audio and Marker Beacon System Installation		28-8111001 and up
69982			DRAWING - Single ADF/HF Compatibility Installation		
79663			DRAWING - Collins COM/NAV/GS Radio Installation		
79662			DRAWING - Collins RCR-650 ADF Radio Installation		
79669			DRAWING - Narco DME-195 Radio Installation		28-7911001 thru 28-7911395
36988			DRAWING - Collins DME-451 Radio Installation		28-8011001 and up
79660			DRAWING - Collins TDR-950 Transponder Installation		
67976			DRAWING - COM 120/111, NAV 122, 122A, 124A GlideSlope UGR-2A and Marker Beacon Radio Installation		28-7911001 thru 28-8311003
79490			DRAWING - Single ADF Installation, Narco ADF-140		28-7911001 thru 28-8311025
87479			DRAWING - ADF Installation, Narco ADF-141		28-8411001 and up
79491			DRAWING - DME Installation, Narco DME-190		28-7911001 thru 28-8011161
79084			DRAWING - DME Installation, Narco DME-195		28-7911001 thru 28-8311003
39867			DRAWING - Narco DME - 890 Radio Installation		28-8311004 and up
99989			DRAWING - Transponder Installation AT50/AT50A		
37963			DRAWING - Narco CP-135/135M Radio Installation		28-7911001 thru 28-8311003
79659			DRAWING - Collins AMR-350 Audio and Marker Beacon System Installation		
36906			DRAWING - King KX-170B, KN-75, KI-209 Radio Installation		28-7911001 thru 28-8111105
36920			DRAWING - Collins DCE-400 Distance Computing Equipment		28-7911001 thru 28-8111105
39783			DRAWING - King KY197/KY196E and KN53 Radio Installation		28-8111001 and up
36979			DRAWING - King KNS80 Area Nav System Installation		28-8111001 and up
39748			DRAWING - Bendix CN2013, IND2014, AS2015 Single Com/Nav		28-8111001 thru 28-8211060
39750			DRAWING - Bendix CN2011A, NSD360A, IN2014, AD2019A, IU2016 Dual Com/Nav		28-8111001 thru 28-8211060
39739			DRAWING - Bendix TPR2060 Transponder Installation		28-8111001 thru 28-8211060
39749			DRAWING - Bendix DME 2030		28-8111001 thru 28-8211060
39746			DRAWING - Bendix ADF 2070		28-8111001 thru 28-8211060
79074			DRAWING - Dual ADF Installation, King KR-85, KR-86		
79493			DRAWING - Dual ADF Installation, Narco ADF-140		
39833			DRAWING - King KX155, KI203/204/208/209 Single/Dual Nav-Com Installation		28-8211001 and up
39834			DRAWING - King KX155/165, KN72, KI202/203/208 Dual Nav-Com Installation		28-8211001 and up
39868			DRAWING - Narco 810/824/825 Single/Dual Com/Nav/Ind Installation		28-8311004 and up
39866			DRAWING - Audio System Installation		28-8311004 and up
87529			DRAWING - Autopilot Installation Century 31		28-8611001 and up

When ordering, always specify Part Number, Description, and Serial Number of Aircraft

Reissued: June 1, 1990

**PIPER AIRCRAFT
PA-28-236 DAKOTA
AIRPLANE PARTS CATALOG**

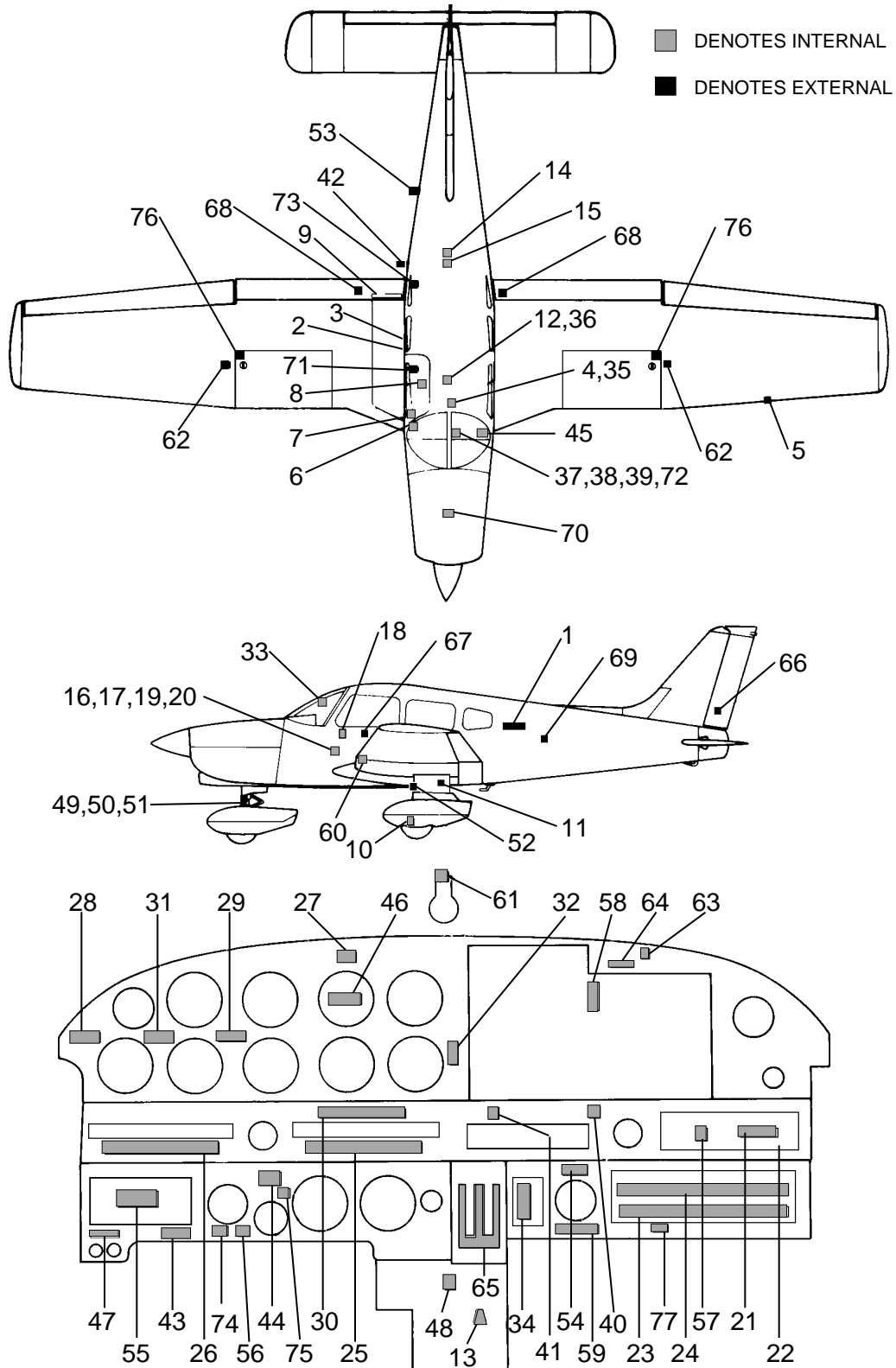


Figure 76. Placards and Exterior Stencils

Reissued: June 1, 1990

**PIPER AIRCRAFT
PA-28-236 DAKOTA
AIRPLANE PARTS CATALOG**

CODE EXPLANATIONS FOR FIGURE 76

- A - Used if carburetor ice detector is installed.
- B - Used if a push-pull pitch trim switch is installed.
- C - Used if a toggle pitch trim switch is installed.
- D - Used if recognition lights are installed.

PIPER AIRCRAFT PA-28-236 DAKOTA AIRPLANE PARTS CATALOG

Figure and Index Number	Part Number	Code	Nomenclature	No. Req.	Serial Numbers Affected
76-	35933		DRAWING - Exterior Finish		28-7911001 thru 28-7911395
	36595		DRAWING - Exterior Finish		28-8011001 thru 28-8011161
	36795		DRAWING - Exterior Finish		28-8111001 thru 28-8111105
	39843		DRAWING - Exterior Finish		28-8211001 thru 28-8211060
	39892		DRAWING - Exterior Finish		28-8311001 and up
	35654		DRAWING - Placard Details Installation		28-7911001 thru 28-7911395
	36991		DRAWING - Placard Details Installation		28-8011001 and up
-1	35937-02		NAMEPLATE - Piper	2	
-2	48629-00		MEDALLION - Piper logo	1	28-7911001 thru 28-8111105
-3	79315-00		PLACARD - Piper Aire	1	
-4	69669-20		PLACARD - Dome light maximum	1	
-5	450 741		DECAL - Lift detector	1	
-6	69669-117		PLACARD - Open	1	
-7	69669-118		PLACARD - Latch	1	
-8	68555-05		PLACARD - Door lock	1	
-9	35664-02		PLACARD - Warning, flap	1	
-10	35669-44		PLACARD - Tire pressure	1	
-11	35669-23		PLACARD - Gear	1	
-12	67786-00		PLACARD - Stabilator trim	1	
-13	65219-00		PLACARD - Rudder trim	1	
-14	66787-00		PLACARD - ``Soft wear only``	1	
-15	68399-02		PLACARD - Baggage limitations	1	
-16	69669-169		PLACARD - ``R`` tank, 36 gallons	1	
-17	69669-170		PLACARD - ``L`` tank, 36 gallons	1	
-18	66987-00		PLACARD - Aircraft limitations	1	28-7911001 thru 28-7911395
	35669-139		PLACARD - Aircraft limitations	1	28-8011001 and up
-19	99184-02		PLACARD - Fuel off	1	
-20	99184-05		PLACARD - Fuel	1	
-21	35669-28		PLACARD - Heater and defrost (lift to actuate)	1	
-22	79112-02		PLACARD - Climate control center	1	
-23	69669-16		PLACARD - Circuit protector, lower	1	
-24	35669-77		PLACARD - Circuit protector, upper	1	
-25	35669-33		PLACARD - Landing checklist	1	28-7911001 thru 28-7911395
-26	35669-35		PLACARD - Take-off checklist	1	28-7911001 thru 28-7911395
-27	69669-39		PLACARD - Annunciator, press to test	1	
-28	67428-00		PLACARD - Maneuvering limitations	1	28-7911001 thru 28-7911395
-29	35669-91		PLACARD - Maneuvering speed	1	28-7911001 thru 28-7911395
	35669-144		PLACARD - Maneuvering speed	1	28-8011001 and up
-30	69669-176		PLACARD - Fuel	1	28-7911001 thru 28-7911395
-31	76222-00		PLACARD - Crosswind component	1	
-32	99921-00		PLACARD - Air conditioning door light	1	
-33	66752-00		PLACARD - Compass deviation	1	
-34	69544-00		PLACARD - Carburetor heat	1	
-35	69669-77		PLACARD - Cabin air	1	
-36	35669-27		PLACARD - Flap handle	1	
-37	79275-00		MEDALLION - Control wheel	1	
-38	35669-16		PLACARD - A/P INTR.	1	
-39	35669-17		PLACARD - Mike	1	
-40	69669-17		PLACARD - Instrument lights, black background	1	
-41	66970-03		PLACARD - Instrument lights, panel, black background	1	
-42	69669-173		PLACARD - External power	1	
-43	69669-175		PLACARD - Warning	1	28-7911001 thru 28-7911395
-44	67490-02	B	PLACARD - Pitch trim	1	
	87369-38	C	PLACARD - Pitch trim	1	

When ordering, always specify Part Number, Description, and Serial Number of Aircraft

PIPER AIRCRAFT PA-28-236 DAKOTA AIRPLANE PARTS CATALOG

Figure and Index Number	Part Number	Code	Nomenclature	No. Req.	Serial Numbers Affected
76-45	69669-66		PLACARD - Warning, ELT (Communications Components, Inc.)	1	
	35669-132		PLACARD - Warning, ELT (Narco)	1	
-46	35669-154		PLACARD - Altitude reporter installed	1	
-47	67471-00		PLACARD - Mike and phone	1	
-48	66837-00		PLACARD - Mike jack (with console mike, jack)	1	
-49	35669-10		PLACARD - Turn limit	1	
-50	35669-05		PLACARD - Turn center mark	1	
-51	65368-00		PLACARD - Nose gear oleo service instructions	1	
-52	65369-00		PLACARD - Main gear oleo service instructions	1	
-53	35669-105		PLACARD - ELT location	1	
-54	69669-175		PLACARD - Warning	1	
-55	99448-00		PLACARD - AutoFlite II	1	
-56	69509-00		PLACARD - Omni coupler switch	1	28-7911001 thru 28-7911100
	35669-126		PLACARD - Omni coupler switch	1	28-7911101 and up
-57	35669-38		PLACARD - Vent fan	1	
-58	35669-125		PLACARD - Radio power ON-OFF	1	28-8011001 and up
-59	35669-130		PLACARD - Emergency bus switch	1	28-8011001 and up
-60	69669-115		PLACARD - Pitot drain	1	
-61	87369-27		PLACARD - Caution	1	28-7911326 and up
-62	35807-02		PLACARD - Fuel	2	28-7911001 thru 28-8011056
	35669-163		PLACARD - Fuel	2	28-8011057 thru 28-8411008
-63	35669-184	A	PLACARD - Carburetor ice detector	1	28-8011091 and up
-64	35669-185	A	PLACARD - Sensitivity	1	28-8011091 and up
-65	69669-45		PLACARD - Engine controls	1	
-66	87341-02		PLACARD - Do Not Push	2	
-67	87341-03		PLACARD - Level point	2	
-68	87341-04		PLACARD - No Step	2	
-69	87336-02		PLACARD - Static vents	2	
-70	87340-02		PLACARD - Oil spec.	1	
-71	87334-02		PLACARD - Door release	1	
-72	35669-188		PLACARD - Transponder identifier	1	28-8111001 and up
-73	87341-05		PLACARD - Max. baggage	1	
-74	87369-05		PLACARD - Nav 1 off Nav 2	1	
-75	87369-39	C	PLACARD - ON-OFF	1	
-76	456 682		DECAL - Avgas (000002)	2	
-77	87369-53	D	PLACARD - Landing and recognition lights	1	28-8511001 and up
-78	765 533		PLACARD - Caution, reduce amp load (B4-203-1)	1	8611001 thru 8611008 and 2811001 and up

When ordering, always specify Part Number, Description, and Serial Number of Aircraft

**PIPER AIRCRAFT
PA-28-236 DAKOTA
AIRPLANE PARTS CATALOG**

CODE EXPLANATIONS FOR OPTIONAL EQUIPMENT KITS AND REPAIR KITS

PIPER AIRCRAFT PA-28-236 DAKOTA AIRPLANE PARTS CATALOG

Figure and Index Number	Part Number	Code	Nomenclature	No. Req.	Serial Numbers Affected
OPTIONAL EQUIPMENT KITS					
585 240			SPINNER - Polished (PS50077-75) (C-3568P)		28-8611001 and up
36733-02			CARD - Passenger briefing		
763 860			ENGINE BREATHER TUBE WINTERIZATION KIT		
760 297			PITOT COVER		
760 993			ELECTRIC PITCH TRIM		
763 966			SHOULDER HARNESS INSTALLATION - Passenger seats		28-7911001 thru 28-8411031
39711-02			PLOTTER ASSEMBLY - Weight and balance		28-7911001 thru 8511020
89000-02			PLOTTER ASSEMBLY - Weight and balance		28-8611001 and up
763 920			IMPROVED CABIN HEAT CENTER DUCT		
763 962			DOOR JAMB SNUBBER INSTALLATION		
764 051			CARBURETOR ICE DETECTOR INSTALLATION		
760 459			CYLINDER HEAD TEMPERATURE GAUGE INSTALLATION		
765 157			BATTERY STRAP Installation		28-7911001 thru 28-8511006
766-239			ENGINE GAUGE AND SENDER CROSS REFERENCE LIST		28-7911001 thru 28-8311025

REPAIR KITS

756 892			PROPELLER REPAIR KIT		
765 122			AVIONICS COOLING BLOWER REPLACEMENT KIT		28-8211001 thru 28-8511001
179 876			SEALANT - White window sealant cartridge		
765 186			AMMETER - Replacement		28-7911001 thru 28-8511006
764 975			NOSE GEAR STEERING MODIFICATION		28-7911001 thru 28-8311025
765 377			SHIMMY DAMPER - Replacement		28-7911001 thru 28-8311025
766 239			CLUSTER ASSEMBLY - Guages left and right		28-7911001 thru 28-8311025
766 222			FIRE RESISTANT FIBERGLASS REPAIR (88160)		28-7911001 and up

When ordering, always specify Part Number, Description, and Serial Number of Aircraft

**PIPER AIRCRAFT
PA-28-236 DAKOTA
AIRPLANE PARTS CATALOG**

NUMERICAL INDEX

Part Number	Figure and Index No.	Part Number	Figure and Index No.	Part Number	Figure and Index No.	Part Number	Figure and Index No.
02585-04	36-1a	26749-07	38-2	35378-01	4-23	35634-05	4-17
02585-05	36-1a	31197-00	47-38	35402-00	54-21	35634-10	4-44
02585-06	36-1a	34632-05	4-43	35402-04	54-57	35634-11	4-44
06205-03	37-17	35118-22	3-24	35420-04	4-13	35634-14	4-46
06205-05	37-10	35118-23	3-24	35421-06	4-14	35634-15	4-46
12715-00	62-16	35118-24	3-29	35421-07	4-14	35636-00	4-41
12761-02	13-6	35118-25	3-29	35422-04	4-13	35637-00	4-32
12761-02	62-1	35118-28	3-20	35454-00	47-65	35637-01	4-32
13071-00	19-16	35118-29	3-20	35476-01	49-5	35638-00	48-5
13074-02	20-10	35118-30	3-23	35507-02	39-14	35638-01	48-5
14428-00	47-5	35118-31	3-23	35573-00	4-18	35640-02	5-2
15086-00	32-27	35118-47	3-32	35573-00	4-45	35640-03	5-2
15206-02	20-17	35118-49	3-32	35592-00	3-22	35640-04	5-3
16599-00	40-9	35118-803	3-30	35592-01	3-22	35640-05	5-3
18219-02	46-36	35118-804	3-30	35603-20	4-12	35640-06	5-4
18321-00	47-39	35142-00	11-11	35603-21	4-12	35640-07	5-4
18321-00	62-4	35142-01	11-11	35603-26	4-19	35640-08	5-5
18968-00	35-9	35158-02	20-38	35603-27	4-19	35640-09	5-5
18968-00	36-10	35166-00	3-25	35614-10	49-6	35640-10	5-6
19063-02	13-2	35166-01	3-25	35614-11	49-6	35640-11	5-6
19336-00	35-17	35168-16	4-4	35615-02	3-26	35640-12	5-7
19336-00	35-34	35168-17	4-4	35615-03	3-26	35640-13	5-7
19336-00	36-9	35168-18	4-2	35615-04	3-27	35640-14	5-8
19336-01	35-17	35168-19	4-2	35615-05	3-27	35640-15	5-8
19336-01	35-34	35174-04	4-7	35616-00	4-26	35640-16	5-9
19336-01	36-9	35174-05	4-7	35616-01	4-26	35640-17	5-9
19365-02	35-19	35201-00	65-3	35617-00	4-27	35640-18	5-10
19365-02	35-36	35202-00	65-2	35617-01	4-27	35640-19	5-10
19365-02	36-11	35208-00	63-29	35618-00	4-28	35640-20	5-11
19392-15	35-35	35208-02	63-30	35618-01	4-28	35640-21	5-12
21176-00	13-4	35208-03	63-31	35619-04	4-29	35640-22	5-13
21230-00	47-44	35208-04	63-32	35619-05	4-29	35640-24	2-6
22105-03	57-38	35208-04	70D-4	35620-00	4-30	35640-24	5-1
22105-10	41-12	35208-09	70D-5	35620-01	4-30	35640-25	2-6
22482-00	12-45	35208-10	70D-6	35621-00	4-31	35640-25	5-1
23969-02	47-45	35209-00	63-3	35621-01	4-31	35641-06	2-8a
23969-02	62-10	35213-02	63-7	35630-16	2-26	35641-07	2-8a
23969-02	63-41	35214-00	62-52	35630-18	2-26	35641-08	2-8b
23969-02	65-10	35262-02	19-2	35630-928	2-3	35641-09	2-8b
23969-02	38A-40	35270-00	19-17	35630-928	3-19	35641-12	2-8
23969-03	62-11	35281-00	19-18	35630-929	2-3	35641-13	2-8
23969-03	63-42	35282-04	19-19	35630-929	3-19	35641-14	2-8
23969-03	38A-36	35283-00	19-21	35632-02	4-9	35641-15	2-8
23969-05	65-11	35284-03	19-22	35632-03	4-9	35642-00	3-2
24047-00	46-6	35362-00	4-15	35632-04	4-43	35642-01	3-2
24048-00	46-7	35378-00	4-23	35634-04	4-17	35664-02	2-47

**PIPER AIRCRAFT
PA-28-236 DAKOTA
AIRPLANE PARTS CATALOG**

NUMERICAL INDEX

Part Number	Figure and Index No.	Part Number	Figure and Index No.	Part Number	Figure and Index No.	Part Number	Figure and Index No.
35664-02	76-9	35669-77	37-52	35904-05	42-3	35950-973	4-1
35669-05	19-34	35669-77	76-24	35904-07	42-5	35952-03	4-6
35669-05	76-50	35669-91	37-57	35904-08	42-6	35952-92	4-6
35669-10	19-33	35669-91	76-29	35905-06	42-4	35954-02	58-36
35669-105	71-13	35680-11	37-33	35910-02	43-11	35954-02	58-38
35669-105	76-53	35680-12	37-34	35912-22	44-22	35954-02	58-45
35669-110	70D-7	35680-22	37-35	35913-03	44-14	35954-03	58-47
35669-125	37-74	35680-26	37-32	35913-04	44-1	36511-02	57-2
35669-125	76-58	35688-02	34-7	35913-20	44-19	36511-03	57-2
35669-126	70B-21	35692-02	2-10	35913-21	44-21	36535-02	38-2
35669-126	76-56	35696-02	39-13	35913-38	44-14	36558-02	57-11
35669-130	37-75	35703-07	40-36	35913-40	44-19	36558-04	57-12
35669-130	76-59	35703-08	40-37	35913-41	44-21	36558-07	57-10
35669-132	76-45	35703-09	40-36	35914-02	43-14	36565-02	10-52
35669-139	32-50	35703-810	40-36	35921-02	10-28	36565-03	10-51
35669-139	76-18	35715-03	47-4	35926-03	43-16	36567-02	37-39
35669-144	37-57	35716-08	2-5	35926-06	43-16	36567-03	37-39
35669-144	76-29	35716-08	48-1	35927-02	40-6	36567-05	37-39
35669-154	72-6	35716-09	2-5	35927-04	40-6	36572-03	13-56
35669-154	76-46	35716-09	48-1	35928-02	40-21	36584-03	40-39
35669-16	55-40	35716-10	48-23	35931-02	44-25	36588-04	32-60
35669-16	76-38	35716-11	48-23	35931-06	44-26	36589-02	32-8
35669-163	48-25	35719-00	48-15	35931-07	44-27	36590-02	13-48
35669-163	76-62	35725-02	2-11	35932-02	43-9	36598-02	13-44
35669-17	55-41	35731-00	4-20	35934-02	42-12	36603-02	40-29
35669-17	76-39	35731-01	4-20	35937-02	76-1	36612-02	58-51
35669-184	37-77	35733-02	3-21	35939-02	42-13	36615-05	58-49
35669-184	76-63	35733-03	3-21	35940-02	46-31	36616-03	58-50
35669-185	37-78	35744-03	10-27	35943-02	19-10	36625-02	48-7
35669-185	76-64	35744-04	10-24	35944-02	27-1	36625-03	48-7
35669-188	55-44	35745-02	10-25	35945-02	43-8	36660-02	37-9
35669-188	76-62	35751-02	3-21	35946-02	27-6	36706-02	15-5
35669-23	27-3	35751-03	3-21	35947-02	32-59	36722-04	13-66
35669-23	76-11	35770-02	5-14	35948-02	19-9	36733-02	Misc
35669-27	54-56	35770-03	5-14	35948-06	19-9	36739-06	2-8
35669-27	76-36	35789-02	47-10	35948-07	19-9	36739-07	2-8
35669-28	37-49	35801-05	47-23	35948-08	19-9	36739-08	2-8
35669-28	76-21	35801-06	40-4	35950-920	2-1	36739-09	2-8
35669-33	37-53	35801-07	40-5	35950-921	2-1	36739-20	2-8
35669-33	76-25	35802-03	2-9	35950-926	2-2	36739-20	2-8
35669-35	37-54	35807-02	48-25	35950-926	3-1	36739-21	2-8
35669-35	76-26	35807-02	76-62	35950-927	2-2	36739-28	2-8c
35669-38	37-73	35900-02	Misc	35950-927	3-1	36739-29	2-8c
35669-38	76-57	35900-02	Misc.	35950-972	2-4	36806-02	2-56
35669-44	27-15	35904-03	42-1	35950-972	4-1	36806-02	2-56
35669-44	76-10	35904-04	42-2	35950-973	2-4	36806-03	2-56

**PIPER AIRCRAFT
PA-28-236 DAKOTA
AIRPLANE PARTS CATALOG**

NUMERICAL INDEX

Part Number	Figure and Index No.	Part Number	Figure and Index No.	Part Number	Figure and Index No.	Part Number	Figure and Index No.
36806-03	2-56	39856-02	48-10a	62324-00	6-5	62452-01	12-19
36934-02	63-37	39875-02	8-31	62324-01	6-5	62453-00	12-15
36935-02	63-34	39875-02	8-40	62327-00	6-7	62455-00	12-20
36938-04	36-51	39877-02	37-39	62328-00	6-8	62457-00	12-21
36938-04	36-51	41001-10	49-9	62328-00	6-9	62457-01	12-21
36979-28	75-20	41001-10	50-3	62328-01	6-8	62463-00	12-52
37729-02	55-39	41001-10	52-8	62328-01	6-9	62464-00	12-53
37848-02	36-26	48629-00	76-2	62330-00	6-11	62465-00	12-54
37872-03	37-28	50111-00	54-15	62330-01	6-11	62471-00	12-29
37872-07	37-29	52586-02	70A-1	62331-00	6-12	62473-02	8-17
37880-02	37-30	53782-03	54-18	62331-01	6-12	62473-03	8-17
37880-02	37-31	55447-02	46-32	62332-00	6-10	62473-03	8-17
37880-03	23-32	61879-02	40-3	62332-02	6-10	62477-00	9-30
37881-02	27-24	62002-02	15-32	62336-00	6-17	62477-01	9-30
37881-03	27-24	62002-03	15-33	62336-01	6-17	62483-02	9-40
37882-02	27-11	62002-04	15-34	62371-08	4-40	62485-00	8-18
37882-04	27-12	62019-03	55-6	62400-02	13-65	62485-01	8-18
37897-02	4-16	62021-00	3-4	62410-00	9-27	62499-02	8-20
37902-05	36-47	62021-01	3-4	62410-01	9-27	62505-00	9-33
37902-06	36-44	62033-00	48-19	62411-02	11-8	62507-00	7-18
37902-08	36-45	62044-00	48-14	62412-02	9-26	62509-03	9-32
37926-03	27-5	62059-00	48-13	62413-00	12-40	62509-04	9-32
37994-03	39-9	62060-06	48-12	62413-01	12-40	62525-00	10-14
37997-02	58-10	62060-07	48-12	62414-00	12-43	62525-01	10-14
37997-02	60-5	62061-04	4-42	62414-01	12-43	62528-00	10-7
38118-00	3-6	62061-05	3-11	62419-11	9-58	62528-01	10-7
38118-03	3-7	62073-02	4-3	62421-00	10-37	62529-00	11-13
38118-05	2-13	62073-03	4-3	62421-01	10-37	62531-00	11-5
38146-03	42-7	62079-00	4-5	62423-00	9-34	62534-00	11-4
38159-03	42-9	62087-05	3-10	62426-06	9-6	62536-04	10-33
38162-07	42-10	62091-02	3-18	62427-00	9-7	62536-05	10-33
38217-00	3-15	62095-00	2-30	62427-02	9-7	62537-00	11-3
38217-01	3-15	62105-02	4-10	62428-00	10-32	62540-00	10-26
38218-00	3-3	62105-02	4-11	62428-01	10-32	62541-00	7-33
38218-01	3-3	62109-00	2-12	62429-00	9-8	62541-01	7-33
38222-03	15-4	62121-00	2-14	62430-00	9-28	62542-00	10-16
38224-03	37-21	62129-03	4-38	62438-00	8-3	62542-01	10-16
38224-03	37-22	62129-04	4-38	62441-00	10-12	62543-00	10-4
38226-00	37-13	62129-07	4-39	62441-01	10-12	62543-02	10-4
38676-02	2-27	62129-08	4-39	62443-00	12-11	62544-00	10-11
39711-02	Misc	62178-00	57-13	62444-05	12-13	62544-01	10-11
39745-10	75-19	62226-00	66-1	62445-00	12-17	62546-00	10-31
39769-02	8-8	62227-00	66-2	62448-02	11-9	62550-00	10-34
39800-02	70C-12	62279-00	66-4	62448-03	11-9	62550-01	10-34
39829-02	48-9	62305-03	47-36	62451-00	12-18	62551-00	10-18
39830-800	48-8	62320-03	6-13	62452-00	12-19	62551-01	10-18

**PIPER AIRCRAFT
PA-28-236 DAKOTA
AIRPLANE PARTS CATALOG**

NUMERICAL INDEX

Part Number	Figure and Index No.	Part Number	Figure and Index No.	Part Number	Figure and Index No.	Part Number	Figure and Index No.
62554-00	10-5	62701-104	53-2	62764-00	54-22	62858-03	54-26
62554-00	10-10	62701-111	70-4	62764-02	54-24	62858-04	54-27
62557-04	35-57	62701-113	52-1	62768-00	50-11	62859-00	11-19
62558-00	10-9	62701-114	52-1	62769-00	50-10	62867-02	30-7
62558-01	10-9	62701-12	52-2	62778-00	55-14	62875-00	10-20
62562-00	49-24	62701-122	49-2	62782-00	55-24	62962-00	57-8
62563-00	10-36	62701-123	49-3	62784-00	55-25	62969-00	57-9
62563-01	11-10	62701-124	49-4	62789-02	54-3	63020-02	13-61
62563-02	11-10	62701-13	52-2	62820-00	54-29	63036-03	13-50
62571-00	9-55	62701-47	53-1	62821-00	54-30	63036-04	13-50
62581-00	10-19	62701-99	49-1	62829-05	51-2	63037-00	9-68
62581-01	10-19	62703-33	55-7	62831-00	51-5	63038-02	9-13
62583-00	10-35	62705-00	54-1	62832-00	51-6	63039-00	13-42
62583-01	10-35	62706-06	54-5	62833-101	19-23	63039-04	46-14
62598-00	10-20	62709-00	53-10	62833-101	19-37	63042-02	13-49
62601-03	10-40	62710-02	49-28	62833-101	61-28	63045-00	13-47
62603-00	10-41	62710-03	50-7	62833-101	61-29	63070-05	14-4
62603-01	10-41	62711-02	54-31	62833-104	57-40	63070-11	14-4
62618-00	11-14	62711-03	53-39	62833-105	13-35	63070-41	14-2
62618-01	11-14	62711-04	53-40	62833-107	13-43	63070-43	14-3
62619-00	11-15	62712-02	54-33	62833-107	13-55	63070-44	14-3
62620-00	10-43	62712-03	49-11	62833-144	51-4	63070-45	14-2
62630-00	12-9	62712-04	55-11	62833-17	56-11	63070-46	14-1
62632-00	9-53	62713-02	54-32	62833-18	53-23	63071-12	14-22
62633-00	9-54	62714-02	52-7	62833-21	13-41	63071-18	14-23
62634-00	9-52	62714-02	53-27	62833-27	23-9	63072-42	14-1
62635-00	9-51	62714-03	52-6	62833-37	53-57	63078-06	12-56
62636-00	9-50	62714-04	53-28	62833-39	13-69	63130-02	34-13
62637-00	9-48	62715-02	52-5	62833-46	46-16	63142-51	32-18
62639-00	9-49	62715-02	53-29	62833-50	46-17	63142-55	32-19
62639-01	9-49	62716-07	56-17	62833-74	67-37	63142-56	32-20
62644-00	9-45	62725-00	54-2	62833-78	35-23	63144-00	32-3
62645-04	12-38	62727-00	54-35	62833-78	36-15	63149-20	14-38
62653-06	8-21	62727-01	54-35	62833-82	59-10	63149-21	14-38
62654-00	35-38	62733-00	54-12	62833-83	59-25	63185-06	34-10
62656-00	9-38	62734-02	54-13	62833-85	55-32	63186-02	15-19
62662-00	12-12	62736-00	54-14	62833-86	55-32	63186-04	28-2
62664-00	10-53	62740-00	54-7	62834-02	55-18	63186-21	15-20
62665-02	12-8	62743-02	49-12	62838-00	51-10	63193-194	48-4
62674-01	8-22	62743-03	50-6	62839-00	55-13	63207-00	39-16
62674-03	8-22	62743-04	50-4	62840-02	55-29	63211-00	72-2
62677-00	9-59	62743-05	50-5	62840-03	55-30	63243-02	42-19
62695-04	11-7	62743-06	49-13	62845-02	55-12	63264-00	62-57
62701-08	50-2	62743-08	53-37	62856-00	54-34	63285-00	8-6a
62701-100	50-1	62746-00	49-7	62856-01	54-34	63293-02	34-11
62701-101	54-28	62753-00	12-14	62858-02	55-28	63307-00	23-5

**PIPER AIRCRAFT
PA-28-236 DAKOTA
AIRPLANE PARTS CATALOG**

NUMERICAL INDEX

Part Number	Figure and Index No.	Part Number	Figure and Index No.	Part Number	Figure and Index No.	Part Number	Figure and Index No.
63310-00	23-18	63485-01	30-6	63587-00	15-9	63900-145	38-31
63311-00	23-17	63485-02	30-6	63587-01	15-9	63900-149	35-50
63311-03	23-25	63485-03	30-6	63588-00	15-10	63900-19	2-19
63312-00	23-22	63501-03	17-2	63595-00	2-15	63900-20	2-20
63312-02	23-23	63502-00	17-3	63633-100	60-29	63900-25	39-42
63314-00	23-6	63504-00	17-6	63633-126	58-16	63900-31	49-19
63327-10	19-2	63506-00	17-8	63633-127	58-48	63900-31	50-13
63332-03	23-33	63508-00	17-9	63633-135	75-12	63900-31	52-9
63332-06	23-34	63509-00	17-11	63633-136	75-2	63900-37	52-3
63338-00	28-1	63510-00	17-12	63633-148	58-15	63900-38	54-36
63341-00	28-6	63515-00	17-16	63633-15	57-20	63900-39	54-37
63342-00	28-7	63530-00	53-25	63633-154	58-17	63900-41	19-6
63354-00	8-38	63531-00	67-38	63633-161	57-17	63900-41	19-38
63355-09	29-19	63543-00	18-3	63633-169	75-5	63900-46	9-47
63356-00	29-27	63544-00	18-4	63633-170	75-13	63900-47	9-46
63357-00	29-28	63545-00	18-5	63633-18	57-18	63900-50	13-51
63391-02	54-11	63546-00	18-6	63633-186	75-6	63900-55	53-30
63391-03	16-2	63549-00	7-30	63633-55	57-21	63900-56	53-31
63392-00	16-2	63550-00	18-8	63633-56	57-22	63900-59	53-32
63392-01	16-3	63560-02	15-11	63633-60	57-19	63900-60	53-33
63393-00	16-3	63560-02	16-23	63656-02	19-20	63900-61	53-34
63393-01	16-3	63560-03	16-24	63684-04	40-32	63900-64	8-35
63395-00	18-9	63560-05	16-22	63744-09	14-14	63900-66	70-5
63396-02	18-2	63560-05	16-23	63779-00	54-17	63900-67	70-6
63398-00	17-13	63561-05	16-9	63781-00	54-9	63900-79	36-1c
63398-01	17-13	63562-00	16-13	63782-04	54-8	63900-85	39-43
63404-00	55-15	63563-00	16-19	63824-08	47-21	63901-09	30-2
63419-00	56-3	63564-00	16-21	63825-06	47-22	63901-17	23-31
63420-08	56-2	63566-02	16-17	63862-136	62-53	63901-21	30-3
63423-04	8-6	63566-02	16-18	63862-137	62-54	63901-22	30-4
63436-00	8-4	63566-03	16-17	63862-16	62-54	63901-24	47-25
63436-01	8-4	63566-03	16-18	63880-00	65-8	63901-30	29-24
63451-00	56-14	63567-00	16-20	63882-09	53-38	63901-44	41-8
63455-00	56-13	63569-00	16-14	63882-31	57-32	63901-52	41-9
63456-00	56-9	63570-00	16-15	63882-82	47-56	63902-25	58-40
63458-05	56-4	63571-00	16-16	63882-94	32-30a	63904-06	65-6
63459-19	56-1	63572-00	16-10	63882-94	32-41a	63904-112	58-53
63464-00	30-8	63573-00	16-4	63897-06	58-52	63904-20	65-5
63466-00	29-21	63573-01	16-4	63897-06	59-26	63904-29	38-16
63468-00	30-9	63575-00	16-5	63897-06	67-34	63904-72	59-15
63469-00	30-10	63575-02	16-5	63900-119	46-45	63904-80	59-18
63469-01	30-11	63584-14	15-6	63900-124	53-36	63904-89	12-48
63470-00	30-12	63585-00	15-7	63900-131	29-32	63904-89	58-18
63478-00	30-15	63585-01	15-7	63900-136	47-61	63913-07	38-12
63479-00	47-6	63586-00	15-8	63900-138	19-7	63913-07	38-16
63485-00	30-6	63586-01	15-8	63900-145	35-49	63913-10	29-25

**PIPER AIRCRAFT
PA-28-236 DAKOTA
AIRPLANE PARTS CATALOG**

NUMERICAL INDEX

Part Number	Figure and Index No.	Part Number	Figure and Index No.	Part Number	Figure and Index No.	Part Number	Figure and Index No.
63913-106	39-16	65116-00	9-67	65365-02	47-31	65635-00	53-7
63913-130	40-7	65117-00	9-67	65365-03	47-32	65636-00	10-17
63913-193	48-3	65126-00	10-44	65365-04	47-33	65639-00	53-9
63913-199	60-30	65126-01	10-45	65366-00	47-34	65640-00	12-7
63913-26	47-26	65128-00	11-18	65368-00	19-35	65649-00	66-3
63913-28	38-11	65128-01	11-18	65368-00	76-51	65654-06	54-6
63913-34	39-3	65141-12	40-24	65369-00	27-2	65672-05	32-26
63913-37	72-5	65142-07	40-22	65369-00	28-11	65674-15	32-4
63913-44	38-13	65142-09	40-23	65369-00	76-52	65688-00	28-3
63913-47	38-14	65165-87	61-26	65372-00	62-44	65688-01	28-3
63913-49	38-15	65192-09	73-9	65383-00	11-16	65688-02	28-4
63913-64	38-16	65199-00	67-39	65384-00	7-39	65688-03	28-4
63913-69	41-7	65199-04	67-40	65413-00	20-9	65690-00	4-16a
63914-07	29-29	65199-05	67-39	65429-00	47-42	65690-01	4-16a
63915-05	62-39	65202-05	44-7	65429-02	47-43	65727-00	13-63
63915-06	29-33	65219-00	32-45	65431-00	7-40	65735-18	32-29
63915-14	47-41	65219-00	75-13	65432-00	20-7	65735-19	32-28
63915-18	47-40	65219-00	76-13	65438-03	41-6	65737-04	51-1
63915-20	46-38	65240-00	44-9	65440-07	13-3	65742-00	14-11
63927-00	8-34	65240-01	44-9	65485-00	23-16	65773-00	2-17
63942-00	2-16	65241-00	44-8	65489-00	23-10	65782-00	14-13
63942-01	2-16	65244-00	53-21	65493-10	23-1	65784-00	70-17
63947-00	12-30	65245-00	53-26	65493-11	23-1	65798-03	14-8
63955-03	52-3	65246-00	53-12	65494-00	12-57	65798-04	14-8
63955-05	49-8	65248-00	53-17	65545-00	57-6	65821-05	70-1
63978-00	65-7	65249-02	53-13	65556-00	7-31	65826-05	14-7
65003-03	56-12	65250-02	53-6	65570-00	9-66	65826-06	14-7
65003-06	53-35	65251-00	53-22	65570-01	9-66	65836-00	51-3
65003-56	61-6	65252-00	53-14	65572-00	9-29	65865-00	32-54
65003-57	49-15	65253-00	53-15	65572-01	9-29	65866-00	32-59
65007-04	20-12	65254-00	53-42	65586-04	6-14	65867-00	32-57
65010-08	19-1	65269-02	32-25	65586-05	6-14	65869-00	32-58
65010-08	20-1	65276-00	20-4	65587-00	6-15	65870-00	32-55
65030-07	43-10	65280-00	20-14	65588-00	6-3	65871-00	32-56
65032-00	43-13	65291-03	44-3	65589-00	6-4	65895-00	14-10
65034-00	17-10	65318-00	57-42	65590-01	2-7	65896-00	14-9
65034-01	17-10	65341-00	18-10	65590-01	6-1	65896-02	14-9
65050-00	56-10	65342-02	15-2	65591-00	2-7	65898-00	4-33
65097-02	43-6	65342-02	18-1	65591-00	6-1	65898-01	4-33
65098-02	43-5	65344-00	46-39	65592-00	6-2	65898-04	4-35
65099-03	43-4	65344-00	46-54	65592-01	6-2	65898-07	4-36
65100-02	43-3	65345-03	15-4	65593-01	6-16	65899-00	6-6
65101-02	43-2	65364-03	47-27	65594-01	6-15	66529-00	2-29
65101-03	43-1	65364-04	47-28	65595-01	6-18	66546-00	55-33
65103-02	43-17	65364-04	47-30	65632-03	53-5	66580-02	65-12
65114-00	12-37	65364-05	47-29	65633-00	53-4	66580-02	65-12

**PIPER AIRCRAFT
PA-28-236 DAKOTA
AIRPLANE PARTS CATALOG**

NUMERICAL INDEX

Part Number	Figure and Index No.	Part Number	Figure and Index No.	Part Number	Figure and Index No.	Part Number	Figure and Index No.
66597-00	4-22	66835-00	46-50	67286-00	10-30	67700-301	39-20
66597-01	4-22	66837-00	73-21	67291-00	9-57	67700-36	41-2
66598-00	4-25	66837-00	76-48	67291-01	9-57	67700-41	41-4
66598-01	4-25	66843-02	20-22	67325-00	32-7	67700-56	47-19
66599-00	4-24	66918-16	37-43	67330-10	32-6	67700-57	47-18
66599-01	4-24	66918-20	37-43	67367-00	12-50	67700-58	29-22
66609-00	7-32	66964-00	17-14	67404-02	62-2	67700-65	39-23
66614-00	49-31	66964-02	17-15	67404-03	62-3	67700-66	39-24
66618-02	20-39	66964-05	17-14	67409-03	63-6	67700-67	39-25
66618-03	20-39	66965-00	7-32	67422-12	63-22	67700-87	41-5
66620-00	3-17	66969-02	9-15	67422-13	63-24	67700-90	41-5
66621-00	3-16	66969-03	9-15	67422-14	63-23	67705-00	57-14
66623-00	3-12	66970-03	63-18	67422-22	63-24	67723-00	2-18
66623-01	3-12	66970-03	76-41	67428-00	37-56	67723-01	2-18
66633-00	48-2	66972-00	17-5	67428-00	76-28	67728-00	48-22
66634-13	40-8	66975-03	15-1	67431-00	37-72	67785-17	32-1
66661-00	56-5	66975-03	17-1	67431-04	37-71	67786-00	32-2
66710-16	32-14	66975-05	15-1	67436-04	63-10	67786-00	76-12
66710-17	13-9	66975-05	17-1	67436-05	63-9	67940-02	9-22
66713-00	63-8	66978-00	32-50	67437-00	63-15	67958-03	35-26a
66750-00	19-16	66978-00	76-18	67462-06	37-7	67958-03	35-41
66752-00	76-33	66979-00	46-3	67463-00	55-5	67958-05	35-26a
66761-02	3-13	66980-00	46-53	67471-00	73-20	67958-05	36-49
66761-03	3-13	66980-00	57-3	67471-00	76-47	67958-05	36-49
66762-00	4-8	66980-00	57-31	67490-02	70-11	67968-12	33-1
66769-00	12-31	67125-00	8-29	67490-02	76-44	67968-13	33-1
66773-00	46-14	67135-03	29-30	67491-00	55-3	67968-14	33-2
66774-00	46-15	67137-00	8-37	67491-03	55-46	67968-15	33-2
66787-00	32-46	67138-00	8-39	67493-00	70B-13	67968-16	33-3
66787-00	76-14	67193-00	55-27	67494-00	70B-14	67968-17	33-3
66789-00	41-13	67196-00	64-3	67494-01	70B-14	67968-18	33-4
66789-00	57-37	67218-02	46-10	67517-00	42-8	67968-19	33-4
66789-00	62-5	67221-00	46-11	67652-00	42-11	67969-02	33-6
66793-18	13-1	67223-00	46-2	67661-00	47-68	67969-03	33-7
66795-00	11-6	67224-03	46-29	67700-143	39-27	67969-04	33-8
66796-00	11-2	67225-00	46-30	67700-144	39-28	67969-15	33-5
66798-00	70A-9	67228-09	37-44	67700-145	37-29	68022-14	35-44
66804-00	32-36	67229-06	37-44	67700-146	39-30	68054-04	43-12
66805-00	32-37	67232-41	32-5	67700-147	39-31	68094-03	34-16
66815-00	48-9	67258-00	8-13	67700-148	72-4	68111-00	3-9
66817-00	48-8	67259-02	8-12	67700-172	39-26	68113-200	3-8
66820-00	23-38	67262-02	9-31	67700-185	39-21	68113-201	3-8
66821-04	27-4	67262-02	8-5	67700-186	39-22	68119-00	3-14
66821-05	27-4	67262-03	9-31	67700-190	47-20	68179-00	13-52
66822-09	15-14	67267-00	9-56	67700-25	47-37	68179-02	13-53
66822-10	15-15	67267-01	9-56	67700-300	39-19	68179-07	13-52

**PIPER AIRCRAFT
PA-28-236 DAKOTA
AIRPLANE PARTS CATALOG**

NUMERICAL INDEX

Part Number	Figure and Index No.	Part Number	Figure and Index No.	Part Number	Figure and Index No.	Part Number	Figure and Index No.
68179-08	13-53	68771-10	38A-12	69669-175	76-54	76129-07	57-4
68198-00	66-4	68771-10	38A-12	69669-176	37-58	76132-03	9-5
68272-03	8-25	68778-00	41-17	69669-176	76-30	76136-00	8-19
68272-03	8-27	68804-03	62-41	69669-20	62-17	76137-02	8-14
68272-04	8-26	68804-04	62-41	69669-20	76-4	76140-03	9-14
68399-02	32-47	68804-50	7-19	69669-39	37-55	76140-04	9-14
68399-02	76-15	69011-00	46-33	69669-39	76-27	76143-00	14-20
68414-03	53-3	69012-00	36-34	69669-45	32-5a	76161-14	34-1
68416-02	32-30	69042-00	39-16	69669-45	76-65	76161-14	34-2
68416-03	32-30	69042-02	39-16	69669-66	71-8	76161-15	34-2
68426-00	15-3	69077-00	55-16	69669-66	76-45	76161-16	34-1
68426-00	16-1	69080-00	37-70	69669-77	58-35	76172-00	35-25
68427-00	16-11	69169-00	37-69	69669-77	76-35	76172-03	36-19
68428-00	16-12	69229-00	57-7	69736-02	2-51	76175-00	36-18
68429-00	16-8	69250-04	8-2	69738-00	9-21	76175-03	35-6
68429-01	16-8	69273-00	57-16	69739-00	9-24	76176-00	36-30
68430-00	16-6	69274-00	57-15	69785-03	48-16	76178-00	35-24
68430-01	16-6	69275-00	57-29	69885-02	58-37	76178-00	36-14
68431-00	16-7	69279-00	57-43	69885-02	58-46	76178-00	36-14
68431-01	16-7	69318-00	51-12	69891-02	9-25	76187-00	36-13
68467-00	29-33	69325-122	62-14	69891-03	9-25	76191-02	32-22
68472-00	53-8	69504-00	41-16	69891-04	9-25	76197-00	14-19
68488-02	53-24	69509-00	70B-21	69891-05	9-25	76205-00	37-42
68491-00	53-18	69509-00	76-56	69891-10	9-25	76205-05	37-42
68499-04	32-32	69544-00	37-62	69891-11	9-25	76218-00	10-38
68499-05	32-32	69544-00	76-34	69891-12	9-25	76218-01	10-38
68539-00	7-28	69546-00	46-37	69891-13	9-25	76219-00	57-1
68540-00	7-29	69624-02	15-17	69992-07	58-44	76219-01	57-1
68540-01	7-29	69669-115	39-15	69997-15	13-4	76221-00	32-42
68555-05	13-62	69669-115	76-60	70371-02	57-36	76222-00	37-59
68555-05	76-8	69669-117	13-71	70371-02	58-41	76222-00	76-31
68556-00	32-41	69669-117	76-6	70371-03	57-33	76239-00	9-19
68556-01	32-41	69669-118	13-72	70371-03	58-41	76255-00	7-10
68557-00	55-26	69669-118	76-7	70475-08	13-19	76256-00	7-23
68584-00	32-33	69669-16	76-23	70515-35	13-22	76257-00	7-23
68671-00	32-31	69669-16	37-51	76114-00	10-3	76261-00	9-62
68674-00	70-12	69669-169	32-48	76115-00	10-8	76261-01	9-62
68676-00	70-13	69669-169	76-16	76115-01	10-8	76262-00	9-63
68699-10	46-12	69669-17	63-17	76119-00	10-39	76264-00	14-23
68770-03	62-51	69669-17	76-40	76119-01	10-39	76265-00	14-26
68770-06	41-14	69669-170	32-49	76120-00	10-49	76266-00	14-26
68770-08	38A-11	69669-170	76-17	76120-01	10-49	76267-00	14-24
68770-08	38A-11	69669-173	66-5	76123-04	10-55	76267-01	14-24
68770-14	57-39	69669-173	76-42	76123-05	10-55	76268-00	14-25
68770-18	41-15	69669-175	69-2	76126-00	10-13	76269-00	14-25
68771-03	62-43	69669-175	76-43	76129-06	57-4	76270-00	14-27

**PIPER AIRCRAFT
PA-28-236 DAKOTA
AIRPLANE PARTS CATALOG**

NUMERICAL INDEX

Part Number	Figure and Index No.	Part Number	Figure and Index No.	Part Number	Figure and Index No.	Part Number	Figure and Index No.
76270-01	14-27	76467-03	9-36	78113-00	39-33	79258-01	10-56
76271-00	14-30	76467-04	9-23	78140-172	62-20	79264-00	58-14
76272-00	14-28	76468-00	9-17	78140-33	65-14	79267-00	12-36
76272-01	14-28	76468-02	9-18	78140-39	65-13	79268-00	17-7
76273-00	14-29	76468-03	9-18	78483-00	67-35	79270-00	58-30
76274-00	14-29	76469-946	10-2	78735-02	32-53	79271-00	58-31
76275-00	14-17	76469-947	10-6	78738-04	23-2	79272-00	12-16
76275-02	14-17	76469-948	10-6	78738-05	23-2	79275-00	76-37
76275-03	14-17	76470-02	7-1	79035-00	58-19	79276-00	55-1
76275-04	14-17	76470-907	7-34	79038-00	41-10	79276-872	55-1
76276-00	14-17	76470-907	10-50	79044-06	37-39	79277-00	15-35
76276-02	14-17	76470-907	11-1	79071-00	20-15	79277-01	15-35
76276-03	14-17	76470-910	7-20	79072-00	20-16	79280-00	58-25
76276-04	14-17	76470-910	9-1	79096-18	14-1	79281-00	58-22
76277-00	14-18	76470-911	7-5	79112-02	37-50	79282-00	58-23
76277-02	14-18	76470-912	7-24	79112-02	76-2	79284-00	58-27
76277-03	14-18	76470-912	10-1	79125-00	37-63	79285-00	58-21
76277-04	14-18	76470-913	7-9	79125-01	37-63	79286-00	58-20
76278-00	14-18	76470-914	7-14	79152-00	73-15	79287-00	58-26
76278-02	14-18	76470-914	8-1	79152-02	73-15	79290-00	12-49
76278-03	14-18	76470-924	7-2	79154-00	14-6	79290-00	58-24
76278-04	14-18	76470-924	12-1	79155-00	14-6	79290-00	58-54
76279-00	9-61	76470-963	7-36	79160-00	73-4	79292-00	58-34
76297-00	7-12	76474-900	7-8	79161-00	9-16	79293-04	58-58
76297-01	7-12	76475-900	7-37	79171-08	14-35	79296-16	14-1
76307-07	58-2	76476-900	7-6	79171-09	14-36	79296-17	14-2
76308-00	58-6	76476-901	7-7	79171-10	14-34	79296-19	14-2
76309-00	58-56	76489-02	8-16	79171-11	14-33	79303-00	58-29
76309-00	60-25	76490-02	10-15	79171-13	14-37	79314-00	37-26
76309-02	58-56	76490-03	10-15	79171-14	14-32	79314-02	37-26
76309-02	60-25	76496-12	58-1	79174-00	2-50	79315-00	16-3
76311-03	37-44	76496-12	60-17	79174-04	2-49	79319-00	10-23
76342-00	36-22	76497-02	12-27	79192-00	58-7	79322-06	35-14
76343-00	36-23	77080-00	59-30	79205-00	63-15	79329-02	8-23
76347-00	36-20	78033-00	23-3	79207-00	35-13	79329-07	8-23
76347-00	36-20	78039-00	39-5	79207-00	36-12	79333-00	63-21
76348-00	36-21	78041-00	35-26	79229-00	36-27	79333-04	63-21
76349-00	36-21	78041-00	36-41	79230-02	35-18	79337-16	35-2
76351-02	36-24	78041-02	35-38	79230-02	36-28	79337-16	35-28
76351-03	36-25	78041-09	35-26	79234-00	9-65	79337-16	36-2
76365-00	9-20	78041-09	36-41	79235-00	36-29	79337-17	35-2
76410-00	20-2	78041-10	35-38	79236-05	34-4	79337-17	36-2
76462-00	32-23	78054-02	32-63	79236-10	34-1	79337-18	35-42
76467-00	9-35	78057-00	14-39	79236-11	34-2	79337-18	36-51
76467-02	7-13	78086-00	14-16	79236-16	34-2	79337-18	36-51
76467-02	9-37	78112-05	7-17	79258-00	10-56	79337-21	35-1

**PIPER AIRCRAFT
PA-28-236 DAKOTA
AIRPLANE PARTS CATALOG**

NUMERICAL INDEX

Part Number	Figure and Index No.	Part Number	Figure and Index No.	Part Number	Figure and Index No.	Part Number	Figure and Index No.
79337-22	35-1	79414-00	62-37	79558-02	59-10	79739-02	8-15
79337-23	35-5	79430-00	30-14	79560-00	70B-18	79739-03	8-15
79337-24	35-5	79436-00	35-40	79561-03	7-22	79762-02	71-5
79337-27	35-2	79442-00	35-20	79561-04	9-12	79764-02	35-42
79337-27	35-28	79442-00	35-37	79561-07	9-11	79764-02	36-51
79337-27	36-2	79442-02	36-31	79561-08	9-10	79764-02	36-51
79337-28	35-2	79445-00	32-9	79561-09	9-3	79764-04	35-42
79337-28	36-2	79452-02	13-6	79561-10	9-4	79764-04	36-51
79337-32	35-5	79453-00	12-51	79561-900	9-2	79764-04	36-51
79337-33	35-5	79455-00	32-24	79561-903	9-9	79781-02	34-17
79337-41	35-42	79456-00	32-43	79562-00	14-21	79795-02	8-11
79337-41	36-51	79463-02	71-7	79563-901	7-16	79795-03	8-10
79337-41	36-51	79473-00	46-19	79563-905	7-16	79795-04	8-9
79337-43	35-1	79475-07	13-18	79567-03	8-31	79819-02	35-6
79337-44	35-1	79475-16	13-17	79569-901	7-15	79819-03	35-6
79337-58	35-1	79475-20	13-16	79572-00	14-12	79828-03	34-15
79337-59	35-2	79475-22	13-20	79573-901	7-11	79836-02	32-8
79337-59	35-28	79475-34	13-45	79576-901	7-21	79839-03	60-23
79337-59	36-2	79475-58	13-16	79577-900	7-3	79840-04	60-24
79337-60	35-5	79475-59	13-16	79578-901	7-27	79855-02	68-2
79337-61	35-1	79475-60	13-16	79580-900	7-35	79855-02	60-20
79337-62	35-2	79487-00	75-4	79580-901	7-35	79869-02	40-41
79337-62	36-2	79515-04	13-26	79581-900	7-36a	79873-03	8-30
79337-63	35-5	79515-06	13-27	79582-902	7-25	79884-02	32-10a
79337-70	35-1	79515-07	13-30	79584-08	59-8	79886-03	59-36
79337-71	35-2	79515-08	13-31	79585-902	7-26	79886-04	59-13
79337-71	35-28	79515-13	13-23	79591-02	36-1	79886-07	59-37
79337-71	36-2	79515-15	13-32	79591-03	36-1	79890-43	27-9
79337-72	36-5	79527-02	37-42	79591-04	36-1	79890-44	27-9
79337-73	35-1	79530-02	13-33	79591-05	36-1	79890-45	27-10
79337-74	35-2	79532-02	13-36	79591-08	36-1	79890-46	27-10
79337-74	36-2	79539-02	36-6	79591-09	36-1	79890-900	27-8
79337-75	35-5	79539-03	36-6	79591-10	36-1	79890-901	27-8
79362-00	37-11	79542-04	13-12	79591-11	36-1	79892-03	27-16
79367-00	37-12	79542-06	13-59	79595-19	65-15	79892-04	27-17
79370-00	37-18	79545-02	13-8	79595-20	65-17	79892-05	27-17
79376-00	37-14	79553-00	8-7	79600-00	37-64	79892-09	27-18
79376-00	37-19	79553-01	8-7	79615-02	57-5	79892-10	27-18
79381-00	37-15	79554-02	35-4	79615-03	57-5	80032-69	47-47
79381-00	37-20	79554-02	36-5	79636-04	72-3	82227-02	10-57
79404-00	37-65	79555-00	35-3	79639-02	9-39	82695-24	38A-5
79405-00	75-1	79555-00	35-29	79647-02	13-24	82695-24	38A-5
79412-02	62-36	79555-00	36-3	79650-02	37-8	82695-89	36-44a
79412-09	62-36	79555-01	35-3	79652-03	55-4	82695-89	36-44a
79412-11	62-37	79555-01	36-3	79653-127	65-13	82732-76	54-38
79412-11	62-36	79557-00	14-5	79655-02	8-8	82732-76	55-34

**PIPER AIRCRAFT
PA-28-236 DAKOTA
AIRPLANE PARTS CATALOG**

NUMERICAL INDEX

Part Number	Figure and Index No.	Part Number	Figure and Index No.	Part Number	Figure and Index No.	Part Number	Figure and Index No.
83710-02	24-15	87369-60	38A-22	89046-08	36-42	96827-35	35-27
83710-02	24A-17	87379-05	37-36	89097-02	66-13	96827-36	35-30
84013-81	38A-16	87379-05	37-36	89097-02	66-13	96827-37	35-27
84013-81	38A-16	87391-02	37-18	89097-03	66-9	96827-38	35-30
84013-84	38A-9	87451-03	37-79	89097-03	66-9	96827-41	35-27
84013-84	38A-9	87468-02	19-2	89300-02	8-33	96827-42	35-30
84013-85	38A-10	87469-02	19-39	89307-00	46-32	96827-43	35-27
84013-85	38A-10	87742-02	62-9	93564-00	15-18	96827-44	35-30
85012-04	41-21	87770-02	38A-14	95061-106	35-8	96887-00	10-22
85012-72	19-8	87777-02	37-81	95061-106	36-32	96887-02	10-22
86062-56	20-40	87777-02	38A-39	95061-151	59-11	96890-00	10-21
86062-94	40-10	87777-02	63-45	95061-161	35-10	96890-01	10-21
86552-14	37-17	87777-13	38A-38	95061-161	36-33	96908-00	35-47
86652-05	75-15	87777-19	38A-37	95061-166	49-14	96908-00	35-48
86687-02	37-13	87779-02	37-81	95061-180	35-62	96926-00	2-21
86700-36	67-33	87779-02	38A-39	95061-186	35-62	96926-00	2-23
86711-06	12-47	89000-02	Misc	95061-91	35-55	96927-00	2-22
87329-07	13-60	89000-02	Misc.	95064-00	3-31	97752-08	75-17
87329-08	13-7	89023-02	35-1	95153-101	39-32	98044-70	47-15
87332-02	35-9	89023-02	35-1	95153-158	39-32	98044-71	47-16
87332-02	36-10a	89023-03	35-1	95228-00	39-32	98044-72	47-17
87334-02	13-68	89023-06	35-5	95241-11	37-10	99002-03	37-2
87334-02	76-71	89023-06	35-5	95241-24	37-17	99002-08	37-2
87336-02	39-53	89023-07	35-5	95541-00	4-21	99003-03	37-5
87336-02	76-69	89023-07	35-5	95636-01	4-21	99003-07	37-5
87340-02	44-28	89023-10	35-2	95639-02	3-5	99010-05	37-6
87340-02	76-70	89023-10	36-2	95639-03	3-5	99031-00	69-16
87341-02	15-36	89023-10	35-2	96143-00	39-6	99032-02	15-4
87341-02	76-66	89023-10	36-2	96268-00	70D-9	99045-00	10-29
87341-03	76-67	89023-10	36-2	96352-03	2-38	99059-06	37-45
87341-04	2-55	89023-11	35-2	96352-03	2-40	99060-06	37-46
87341-04	76-68	89023-11	36-2	96352-03	2-41	99061-06	37-47
87341-05	13-67	89023-11	35-2	96352-03	2-42	99062-06	37-48
87341-05	76-73	89023-11	36-2	96352-03	2-44	99072-00	59-9
87368-02	37-19	89023-11	36-2	96392-06	39-1	99077-16	35-31
87369-05	70C-3	89023-13	36-41	96393-02	39-1	99077-17	35-31
87369-05	76-74	89023-13	36-41	96393-03	39-1	99094-00	44-5
87369-27	37-76	89026-02	36-1	96684-00	10-54	99096-00	44-2
87369-27	76-61	89026-03	36-1	96827-22	35-27	99130-00	62-47
87369-38	70-9	89028-02	35-42	96827-23	35-27	99140-00	34-19
87369-38	76-44	89028-02	36-51	96827-26	35-30	99141-03	34-20
87369-39	70-10	89028-02	35-42	96827-27	35-30	99181-03	34-40
87369-39	76-75	89028-02	36-51	96827-29	35-27	99184-02	32-51
87369-40	70D-8	89042-02	65-9a	96827-30	35-27	99184-02	76-19
87369-53	63-44	89042-02	65-9a	96827-31	35-30	99184-05	32-52
87369-53	76-77	89046-08	36-42	96827-32	35-30	99184-05	76-20

**PIPER AIRCRAFT
PA-28-236 DAKOTA
AIRPLANE PARTS CATALOG**

NUMERICAL INDEX

Part Number	Figure and Index No.	Part Number	Figure and Index No.	Part Number	Figure and Index No.	Part Number	Figure and Index No.
99198-00	62-18	99471-02	12-5	99650-00	60-13	99952-00	37-41
99209-00	70A-3	99471-03	12-5	99661-00	60-15	99959-05	37-40
99214-00	37-80	99479-03	37-25	99680-08	73-17	99959-12	37-40
99222-02	62-55	99480-00	37-61	99690-00	9-41	99967-00	32-44
99222-12	62-55	99487-00	12-32	99690-01	9-41	99968-00	32-44
99222-13	62-55	99487-01	12-32	99691-00	9-64	99987-07	71A-7
99240-00	34-14	99488-00	12-44	99691-01	9-64	99997-00	13-40
99242-13	35-43	99495-00	61-5	99692-00	9-42	99997-00	14-40
99252-10	34-18	99496-00	12-41	99692-01	9-42		
99263-00	61-3	99507-00	60-23	99693-00	9-60		
99271-00	61-8	99513-05	37-44	99699-00	11-17		
99272-00	12-22	99539-00	60-26	99701-00	11-12		
99273-00	12-23	99541-02	60-20	99717-00	64-2		
99275-02	61-4	99545-00	12-46	99718-05	36-4		
99275-02	61-9	99549-10	12-6	99741-00	9-43		
99275-04	61-25	99550-02	60-27	99741-01	9-43		
99278-03	12-24	99552-00	12-25	99745-00	62-15		
99280-00	12-35	99552-02	12-25	99754-02	47-69		
99280-01	12-35	99555-00	12-4	99763-00	59-7		
99344-00	74-7	99557-00	61-19	99767-05	43-15		
99377-02	63-11	99558-00	12-26	99801-02	32-63		
99377-03	63-13	99561-00	12-42	99803-03	15-16		
99377-05	63-14	99561-00	61-22	99805-03	12-10	179 872	2-52
99377-06	63-12	99569-00	61-24	99813-02	12-10	179 876	Misc
99377-07	69-3	99572-04	61-23	99818-00	32-38	179 876	Misc.
99377-56	63-14	99580-00	59-29	99841-04	73-5	187 625	20-26
99377-66	63-43	99592-08	59-17	99849-17	40-31	189 139	13-2
99387-00	61-1	99592-09	59-14	99853-00	61-14	189 139	13-15
99387-04	61-1	99609-00	12-28	99854-00	61-10	189 625	40-28a
99395-00	73-13	99610-00	73-10	99856-00	53-11	400 002	19-40
99395-00	74-1	99610-02	73-12	99862-00	64-1	400 002	35-16
99395-02	73-13	99619-04	15-12	99867-00	61-16	400 002	36-37
99395-02	74-1	99621-02	15-13	99868-00	15-5	400 003	15-22
99395-03	73-13	99633-00	58-13	99887-04	71-9	400 003	15-23
99395-03	74-1	99633-00	60-8	99888-00	71-10	400 003	16-25
99417-00	10-42	99634-00	60-24	99889-00	71-11	400 003	23-35
99421-00	9-44	99635-09	32-39	99920-02	35-61	400 003	23-37
99433-00	34-12	99640-00	60-1	99920-03	35-61	400 004	16-26
99433-01	34-12	99640-03	60-2	99921-00	37-60	400 004	27-20
99448-00	70A-11	99641-00	58-11	99921-00	76-32	400 004	35-53
99458-00	32-35	99641-00	60-6	99943-00	13-14	400 004	54-47
99468-03	12-2	99642-03	58-8	99943-00	14-31	400 008	49-29
99469-04	12-6	99642-03	60-3	99944-06	40-30	400 009	59-38
99470-00	12-3	99644-00	60-28	99944-07	40-30	400 011	54-4
99470-01	12-3	99646-02	60-9	99945-04	67-1	400 056	15-21
99470-800	12-3	99648-00	60-12	99950-00	37-42	400 056	55-36

**PIPER AIRCRAFT
PA-28-236 DAKOTA
AIRPLANE PARTS CATALOG**

NUMERICAL INDEX

Part Number	Figure and Index No.	Part Number	Figure and Index No.	Part Number	Figure and Index No.	Part Number	Figure and Index No.
400 058	19-28	400 653	54-51	401 307	38A-33	402 324	19-26
400 059	19-28	400 653	54-35	401 310	55-32	402 349	2-39
400 059	19-38	400 665	13-37	401 312	27-21	402 349	2-40
400 103	42-20	400 672	50-16	401 318	35-50	402 349	2-42
400 112	13-29	400 672	51-7	401 318	36-38	402 349	2-43
400 113	29-41	400 672	54-52	401 318	54-48	402 349	2-44
400 155	49-20	400 672	56-16	401 330	20-35	402 366	2-38
400 156	23-20	400 674	46-41	401 333	55-22	402 366	2-41
400 166	23-19	400 674	50-14	401 334	61-32	402 669	49-19
400 171	46-13	400 674	52-15	401 353	52-11	402 680	2-35
400 224	61-21	400 678	49-23	401 354	52-19	402 680	15-25
400 302	23-21	400 680	54-53	401 355	35-53	402 775	19-27
400 437	53-48	400 728	66-12	401 359	20-32	402 890	12-34
400 437	53-49	400 749	46-13	401 370	20-31	402 897	12-33
400 438	12-55	400 861	61-28	401 378	50-12	402 915	2-34
400 438	20-34	400 861	61-29	401 385	49-27	404 100	15-21
400 438	44-13	400 861	61-30	401 394	59-12	404 100	19-28
400 438	53-50	400 861	61-33	401 400	20-5	404 100	19-38
400 438	54-43	400 862	13-64	401 403	20-6	404 100	16-41
400 438	56-15	400 863	35-63	401 405	19-30	404 100	46-45
400 438	70C-6	400 876	29-42	401 406	19-30	404 100	54-53
400 440	19-29	400 916	35-39	401 410	19-31	404 100	55-36
400 440	48-21	401 186	2-34	401 418	19-31	404 100	57-34
400 440	54-46	401 187	35-52	401 424	67-32	404 101	13-29
400 440	61-35	401 188	49-18	401 456	20-41	404 101	29-41
400 441	54-46	401 188	52-16	401 461	59-33	404 101	42-20
400 441	61-31	401 266	10-46	401 535	40-40	404 101	15-26
400 443	54-44	401 266	48-21	401 918	19-32	404 101	15-28
400 443	70-15	401 266	49-30	401 918	40-44	404 101	27-14
400 444	2-32	401 266	53-51	401 970	59-31	404 101	27-22
400 444	8-36	401 266	54-45	401 970	59-35	404 101	44-10
400 444	70-16	401 266	70-14	401 970	67-28	404 101	44-11
400 446	19-23	401 269	10-46	401 970	67-29	404 101	44-23
400 446	19-24	401 269	15-29	401 970	67-30	404 101	44-24
400 446	19-37	401 269	35-51	401 971	67-27	404 102	49-20
400 446	53-53	401 269	35-63	401 971	67-28	404 104	55-21
400 450	53-54	401 269	53-52	401 971	67-29	404 105	23-21
400 450	15-30	401 269	55-23	401 971	67-37	404 122	23-19
400 452	49-25	401 269	61-34	401 971	67-41	404 122	23-20
400 456	56-17	401 270	2-31	401 986	59-34	404 224	15-24
400 464	40-45	401 273	20-33	401 987	59-32	404 224	46-46
400 466	42-16	401 273	61-7	401 988	59-27	404 224	46-49
400 468	42-17	401 274	54-20	402 028	46-45	404 224	54-54
400 616	59-28	401 279	53-55	402 057	9-46	404 225	19-15
400 652	54-49	401 289	49-21	402 057	9-47	404 320	54-25
400 653	54-50	401 307	66-11	402 314	56-6	404 322	19-27

**PIPER AIRCRAFT
PA-28-236 DAKOTA
AIRPLANE PARTS CATALOG**

NUMERICAL INDEX

Part Number	Figure and Index No.	Part Number	Figure and Index No.	Part Number	Figure and Index No.	Part Number	Figure and Index No.
404 322	49-26	404 837	9-47	404 887	70-15	404 910	44-10
404 322	54-25	404 837	35-52	404 887	70-16	404 910	44-11
404 323	19-5	404 838	20-36	404 887	70C-6	404 910	70C-5
404 323	66-12	404 838	67-32	404 887	32-64	404 910	70C-10
404 325	53-56	404 838	20-36	404 888	15-23	404 945	49-19
404 391	13-37	404 838	67-32	404 888	16-25	405 450	43-22
404 391	54-49	404 887	2-31	404 888	16-26	406 345	46-20
404 391	54-50	404 887	2-32	404 888	19-26	406 369	35-15
404 391	54-51	404 887	2-39	404 888	19-40	406 373	28-9
404 391	55-35	404 887	5-15	404 888	20-35	406 424	58-5
404 392	49-23	404 887	8-36	404 888	23-35	406 424	58-57
404 392	50-14	404 887	10-46	404 888	23-37	406 424	60-22a
404 392	50-16	404 887	10-47	404 888	26-16	406 424	60-31
404 392	51-7	404 887	10-48	404 888	26-29	406 551	53-51
404 392	52-15	404 887	15-29	404 888	27-24	406 637	115-25
404 392	54-52	404 887	15-30	404 888	35-53	406 637	23-25
404 392	58-41	404 887	19-23	404 888	36-37	406 810	10-58
404 394	46-21	404 887	19-24	404 888	36-38	406 830	20-30
404 526	36-1c	404 887	19-29	404 888	54-47	406 834	44-23
404 530	2-35	404 887	19-37	404 888	54-48	406 834	44-24
404 532	2-34	404 887	20-33	404 888	55-22	406 863	14-45
404 532	2-38	404 887	20-34	404 888	55-32	406 935	2-25
404 532	2-39	404 887	29-42	404 888	59-38	406 942	2-24
404 532	2-40	404 887	40-13	404 888	61-32	407 041	14-12
404 532	2-41	404 887	43-23	404 888	66-11	407 043	46-46
404 532	2-42	404 887	44-13	404 888	38A-28	407 043	46-49
404 532	2-43	404 887	46-43	404 889	2-34	407 043	48-21
404 532	2-44	404 887	49-25	404 889	20-31	407 044	46-47
404 556	12-33	404 887	49-30	404 889	20-32	407 044	46-47
404 556	12-34	404 887	53-50	404 889	21-11	407 046	59-33
404 561	2-35	404 887	53-52	404 889	24-13	407 106	66-12
404 829	38A-29	404 887	53-53	404 889	24A-14	407 106	67-28
404 831	43-22	404 887	53-54	404 889	35-54	407 106	67-41
404 833	43-21	404 887	53-55	404 889	49-18	407 107	67-32
404 835	42-16	404 887	54-20	404 889	49-27	407 120	70C-11
404 835	42-17	404 887	54-45	404 889	50-12	407 120	24-15
404 835	43-25	404 887	54-46	404 889	52-11	407 120	24A-17
404 835	55-19	404 887	55-23	404 889	52-16	407 122	73-27
404 835	55-33	404 887	61-7	404 889	52-19	407 122	73-32
404 835	61-35	404 887	61-28	404 890	20-5	407 124	29-43
404 835	66-10	404 887	61-29	404 890	20-6	407 124	47-62
404 836	25-6	404 887	61-30	404 890	59-12	407 128	38A-35
404 836	35-16	404 887	61-31	404 891	40-40	407 130	38A-30
404 836	54-4	404 887	61-33	404 909	23-26	407 135	43-20
404 836	56-6	404 887	61-34	404 909	28-10	407 136	19-15
404 837	9-46	404 887	70-14	404 910	43-27	407 136	40-44

**PIPER AIRCRAFT
PA-28-236 DAKOTA
AIRPLANE PARTS CATALOG**

NUMERICAL INDEX

Part Number	Figure and Index No.	Part Number	Figure and Index No.	Part Number	Figure and Index No.	Part Number	Figure and Index No.
407 136	43-26	407 564	46-43	407 565	23-37	407 567	19-30
407 137	19-5	407 564	48-21	407 565	27-20	407 567	19-31
407 137	67-27	407 564	49-19	407 565	27-21	407 567	20-37
407 137	67-29	407 564	49-22	407 565	27-23	407 567	29-17
407 137	67-30	407 564	49-23	407 565	29-41	407 567	39-36
407 138	43-18	407 564	49-30	407 565	35-39	407 567	43-18
407 144	67-28	407 564	50-14	407 565	35-53	407 567	45-37
407 561	35-15	407 564	50-16	407 565	36-39	407 567	59-12]
407 562	13-37	407 564	52-15	407 565	42-20	407 567	59-33
407 562	23-26	407 564	53-50	407 565	43-26	407 567	67-32
407 562	28-10	407 564	53-52	407 565	49-29	407 568	40-40
407 562	43-22	407 564	53-54	407 565	54-4	407 568	55-21
407 562	54-49	407 564	53-58	407 565	54-48	407 569	23-21
407 562	54-50	407 564	54-20	407 565	55-22	407 569	59-28
407 562	38A-32	407 564	54-44	407 565	61-32	407 582	13-21
407 563	43-19	407 564	54-45	407 565	66-11	407 583	2-37
407 563	43-27	407 564	54-46	407 565	38A-31	407 583	43-21
407 563	44-10	407 564	54-52	407 566	2-34	407 583	51-9
407 563	44-11	407 564	54-53	407 566	20-31	407 584	10-46
407 563	70C-5	407 564	55-23	407 566	20-32	407 584	12-33
407 564	2-31	407 564	55-36	407 566	21-10	407 584	12-34
407 564	2-32	407 564	57-34	407 566	23-19	407 584	15-21
407 564	2-33	407 564	58-41	407 566	23-20	407 584	15-29
407 564	5-15	407 564	61-28	407 566	24-4	407 584	19-24
407 564	8-36	407 564	61-29	407 566	24A-16	407 584	19-28
407 564	10-46	407 564	61-30	407 566	35-52	407 584	19-37
407 564	12-33	407 564	61-31	407 566	35-54	407 584	19-38
407 564	12-34	407 564	61-33	407 566	40-27	407 584	29-40
407 564	15-29	407 564	61-34	407 566	49-18	407 584	29-45
407 564	15-30	407 564	61-35	407 566	49-20	407 584	30-17
407 564	19-23	407 564	66-10	407 566	49-27	407 584	30-20
407 564	19-24	407 564	70-14	407 566	50-12	407 584	38A-3
407 564	19-28	407 564	70-15	407 566	52-11	407 584	40-12
407 564	19-38	407 564	70-15	407 566	52-16	407 584	42-16
407 564	20-33	407 564	36-1c	407 566	52-19	407 584	42-17
407 564	20-34	407 565	2-35	407 566	59-31	407 584	46-45
407 564	29-44	407 565	13-29	407 566	66-12	407 584	46-48
407 564	30-18	407 565	15-22	407 566	67-27	407 584	49-19
407 564	30-19	407 565	15-23	407 566	67-28	407 584	49-23
407 564	36-40	407 565	15-25	407 567	2-34	407 584	49-25
407 564	40-12	407 565	16-25	407 567	2-38	407 584	51-7
407 564	43-20	407 565	16-26	407 567	2-39	407 584	53-49
407 564	43-23	407 565	19-26	407 567	2-40	407 584	53-54
407 564	43-25	407 565	19-40	407 567	2-41	407 584	53-55
407 564	44-13	407 565	20-35	407 567	2-42	407 584	55-23
407 564	46-42	407 565	23-35	407 567	2-43	407 584	55-33

**PIPER AIRCRAFT
PA-28-236 DAKOTA
AIRPLANE PARTS CATALOG**

NUMERICAL INDEX

Part Number	Figure and Index No.	Part Number	Figure and Index No.	Part Number	Figure and Index No.	Part Number	Figure and Index No.
407 584	61-7	407 694	10-48	415 531	24-15	424 051	19-28
407 584	32-64	407 694	12-55	415 531	24A-17	424 051	19-38
407 584	38A-3	407 800	38A-6	415 533	43-21	424 051	29-19
407 585	2-35	407 800	38A-6	415 533	70C-10	424 051	29-40
407 585	13-70	407 815	46-22	415 535	2-37	424 051	29-41
407 585	15-31	407 826	14-12	415 535	14-46	424 051	30-17
407 585	19-25	407 887	38A-7	415 535	43-19	424 051	30-18
407 585	19-40	407 887	38A-7	415 535	43-27	424 051	30-19
407 585	25-7	410 035	5-15	415 536	14-45	424 051	30-20
407 585	25-21	410 043	2-45	415 536	34-21	424 051	36-39
407 585	26-15	410 054	2-36	415 537	14-45	424 051	36-40
407 585	53-53	410 054	15-26	415 538	34-22	424 051	40-27
407 585	54-47	410 054	15-28	415 539	33-9	424 051	42-40
407 585	56-6	411 530	38A-25	415 540	70C-5	424 051	46-24
407 585	59-38	411 531	32-64	415 544	14-46	424 051	46-41
407 586	9-46	411 532	43-23	415 544	43-24	424 051	46-45
407 586	9-47	411 532	43-25	415 544	51-9	424 051	46-48
407 586	13-55	411 533	57-61	415 544	70C-11	424 051	49-23
407 586	23-19	411 536	38A-2	415 553	43-20	424 051	49-28
407 586	23-20	411 536	38A-2	415 554	42-18	424 051	50-14
407 586	46-23	411 536	36-1c	415 633	27-25	424 051	50-15
407 586	49-18	411 538	54-54	416 369	13-25	424 051	50-16
407 586	49-20	414 694	70C-7	416 794	66-10	424 051	51-7
407 586	59-35	414 762	27-22	416 994	29-43	424 051	51-8
407 586	67-29	414 762	27-26	417 775	29-45	424 051	52-15
407 587	2-34	414 762	44-24	418 401	43-18	424 051	53-43
407 587	20-5	414 779	44-11	418 650	47-62	424 051	53-44
407 587	20-6	414 793	27-14	419 420	43-26	424 051	54-52
407 587	36-39	415 146	40-26	419 420	46-47	424 051	54-53
407 587	45-5	415 171	28-10	419 594	13-58	424 051	55-36
407 587	53-54	415 309	2-46	419 594	32-62	424 051	57-34
407 587	59-27	415 309	2-54	419 641	14-43	424 051	58-41
407 587	59-32	415 312	2-53	419 681	57-35	424 052	54-55
407 587	59-33	415 320	2-33	419 920	28-9	424 053	49-20
407 587	59-34	415 321	10-47	419 932	42-14	424 053	52-17
407 587	67-32	415 323	10-48	419 967	51-11	424 054	52-12
407 587	19-30	415 332	38A-27	424 041	13-37	424 054	52-18
407 587	19-31	415 378	15-27	424 041	13-38	424 054	52-20
407 591	23-21	415 379	40-38	424 041	54-49	424 059	23-21
407 674	70C-6	415 448	46-18	424 041	54-50	424 060	55-21
407 680	13-43	415 449	28-8	424 041	54-51	424 061	45-27
407 680	13-54	415 493	42-15	424 041	55-35	424 071	23-39
407 683	13-46	415 518	23-26	424 051	13-29	424 095	23-19
407 683	13-46	415 520	73-27	424 051	13-70	424 095	23-20
407 684	53-59	415 520	38A-26	424 051	15-21	424 123	53-47
407 694	10-47	415 521	73-32	424 051	19-25	424 148	53-44

**PIPER AIRCRAFT
PA-28-236 DAKOTA
AIRPLANE PARTS CATALOG**

NUMERICAL INDEX

Part Number	Figure and Index No.	Part Number	Figure and Index No.	Part Number	Figure and Index No.	Part Number	Figure and Index No.
424 175	30-17	452 336	54-23	453 838	73-23	455 332	46-25
424 178	13-38	452 341	19-4	453 855	74-8	455 333	46-26
424 178	29-40	452 372	55-8	453 868	40-43	455 344	46-27
424 180	53-43	452 386	35-11	453 966	2-4a	455 417	70D-15
424 181	30-18	452 386	36-17	453 991	40-25	455 417	72-7
424 182	36-40	452 387	4-34	454 053	20-21	455 938	29-1
424 184	30-19	452 387	4-37	454 053	23-15	455 944	30-1
424 186	51-8	452 387	17-4	454 083	62-40	455 944	31-16
424 189	30-20	452 387	18-7	454 161	65-9	455 968	30-1
424 204	13-70	452 388	55-10	454 656	70A-17	455 968	31-1
424 205	36-39	452 389	55-9	454 657	70D-1	456 017	19-13
424 226	19-25	452 394	12-39	454 668	63-1	456 017	19-13
434 126	70-18	452 410	62-34	454 668	70C-1	456 615	60-14
434 144	73-25	452 413	53-20	454 668	38A-20	456 682	48-26
434 166	40-28	452 418	53-19	454 669	63-1	456 682	76-76
450 030	65-1	452 419	19-11	454 670	63-1	456 703	74-13
450 035	65-1	452 465	62-34	454 678	63-1	456 728	66-6
450 397	62-38	452 541	67-26	454 681	70D-2	458 844	47-55
450 602	63-2	452 558	61-20	454 706	63-1	458 879	39-34
450 602	74-12	452 561	61-27	454 706	70C-1	458 881	29-35
450 741	62-48	452 570	61-17	454 706	70D-16	458 886	40-14
450 741	75-5	452 571	61-18	454 706	38A-20	458 888	39-37
450 741	76-5	452 605	19-3	454 707	63-1	458 891	30-23
450 742	62-49	452 607	19-3	454 708	63-1	458 892	47-67
450 745	62-7	452 679	35-60	454 709	58-39	458 893	39-8
451 103	47-49	452 680	35-59	454 709	63-1	458 893	39-35
451 272	73-7	452 766	20-3	454 709	64-14	458 894	29-36
451 273	73-6	452 766	20-11	454 709	38A-21	458 894	30-22
451 724	23-29	452 766	20-13	454 719	63-1	458 894	23-36
451 735	20-42	452 823	59-5	454 743	58-39	458 895	47-66
451 735	23-30	452 824	59-6	454 743	64-14	458 898	40-15
451 783	24-15	452 935	58-12	454 743	38A-21	458 904	30-21
451 783	24A-17	452 935	60-7	454 803	40-20	458 909	39-36
451 786	26-13	452 997	75-10	454 806	47-51	458 910	29-26
451 881	70D-11	453 024	36-1b	454 813	39-47	458 910	29-37
451 888	38-21	453 124	20-20	454 921	59-39	458 946	47-7
451 906	59-20	453 124	23-11	454 921	75-8	458 948	38-28
451 907	59-21	453 425	70A-10	454 928	39-45	458 948	47-50
451 908	59-22	453 425	70B-8	454 933	47-61	458 958	38-10
451 939	38-32	453 425	70C-4	454 935	36-1c	458 958	38-20
451 939	70D-10	453 639	62-56	454 977	38A-4	458 958	38A-17
452 332	19-12	453 687	37-24	454 977	38A-4	458 958	38A-17
452 334	19-14	453 714	30-16	454 985	57-28	459 849	37-27
452 334	19-14	453 732	35-3a	455 124	20-19	459 885	32-17
452 335	49-10	453 732	36-3a	455 124	23-12	460 464	47-54
452 335	54-23	453 836	73-24	455 173	47-59	460 594	47-46

**PIPER AIRCRAFT
PA-28-236 DAKOTA
AIRPLANE PARTS CATALOG**

NUMERICAL INDEX

Part Number	Figure and Index No.	Part Number	Figure and Index No.	Part Number	Figure and Index No.	Part Number	Figure and Index No.
460 651	41-18	472 017	27-13	477 672	43-19	484 461	74-14
460 685	41-18	472 017	44-4	477 672	43-24	484 467	64-13
460 691	23-4	472 038	62-21	477 677	47-9	484 483	44-15
460 691	23-24	472 054	63-26	477 683	34-21	484 683	20-29
460 836	38-22	472 054	64-11	477 683	34-22	484 691	32-61
460 888	38-6	472 056	63-20	477 696	14-12	484 698	25-4
461 136	54-39	472 056	74-11	477 708	36-50	484 698	26-4
461 386	58-4	472 084	36-48	477 709	35-39	484 701	29-7
461 386	58-42	472 661	62-45	477 778	33-9	484 705	20-27
461 386	60-19	472 665	62-25	477 816	27-19	484 706	29-12
461 386	60-22	472 666	62-28	477 850	38-30	484 720	20-28
461 391	58-4	472 736	62-31	477 887	19-30	484 727	29-8
461 391	58-42	472 844	64-12	477 887	19-31	484 733	20-18
461 391	60-19	472 895	69-4	479 402	40-17	484 747	53-16
461 391	60-22	472 896	69-4	480 592	36-7	484 755	44-20
461 629	37-42a	472 969	37-23	480 640	53-41	484 769	23-8
461 629	64-10	472 987	69-4	480 696	54-16	484 770	20-24
461 629	65-18	472 988	69-4	480 701	35-21	484 788	30-23
461 629	75-16	473 187	58-3	480 701	35-32	484 788	31-23
461 629	75-18	473 187	58-43	480 701	36-35	484 789	23-14
461 657	65-16	473 187	60-18	480 730	355-19	484 792	8-28
462 012	62-42	473 187	60-21	480 732	35-22	484 841	57-41
462 023	38-5	473 195	58-3	480 732	35-33	486 168	23-7
462 024	20-8	473 195	58-43	480 732	36-36	486 218	27-7
462 024	23-13	473 195	60-18	480 777	36-7	486 218	27-19
462 036	23-16	473 195	60-21	480 789	36-8	486 281	71-12
462 049	47-12	474 642	73-3	480 800	13-39	486 286	14-44
462 050	20-23	474 652	73-2	480 801	36-34	486 560	36-56
462 112	59-4	474 659	73-29	480 812	54-19	486 563	54-42
463 416	44-20	475 115	40-18	481 562	52-10	487 629	32-34
463 615	63-36	475 210	58-9	481 640	70-19	487 674	7-4
463 695	63-27	475 210	60-4	481 651	55-20	487 689	44-20
464 362	73-1	476 647	47-59	481 701	47-1	487 705	44-12
464 407	73-1	476 647	72-9	481 772	7-38	487 720	44-6
464 412	13-57	476 662	47-63	484 140	40-16	487 722	70C-9
464 531	38A-24	476 673	66-7	484 198	27-14	487 901	55-38
464 706	70D-3	476 678	47-11	484 198	27-19	487 904	55-43
465 258	64-9	477 617	39-36	484 209	64-4	487 904	63-25
467 064	73-14	477 629	41-22	484 234	74-10	487 925	64-6
467 067	62-36a	477 640	15-26	484 293	44-17	488 310	39-11
468 002	73-18	477 640	15-27	484 305	44-18	488 315	39-38
468 002	73-33	477 640	27-7	484 307	41-20	488 315	39-39
468 006	73-19	477 640	27-14	484 339	44-16	488 315	72-8
469 600	73-28	477 640	47-54	484 348	47-58	488 318	47-60
470 402	40-42	477 672	2-36	484 373	66-8	488 326	46-35
472 010	13-5	477 672	15-28	484 375	62-22	488 380	39-40

**PIPER AIRCRAFT
PA-28-236 DAKOTA
AIRPLANE PARTS CATALOG**

NUMERICAL INDEX

Part Number	Figure and Index No.	Part Number	Figure and Index No.	Part Number	Figure and Index No.	Part Number	Figure and Index No.
488 545	62-50	506 902	72-32	551 779	20-44	554 888	38-26
488 702	47-56	514 763	44-10	551 779	22-1	554 888	70D-17
488 722	39-4	514 763	44-23	551 785	20-44	554 888	75-3
489 388	32-17	519 853	13-43	551 785	21-1	554 888	75-7
489 400	63-16	519 853	13-55	551 983	59-2	554 896	57-27
489 910	49-16	524 145	46-48	551 983	68-1	554 926	60-11
489 910	50-8	548 040	37-3	553 003	75-11	554 953	39-44
489 910	52-13	548 190	37-3	553 230	59-10	554 954	70C-8
489 910	54-40	548 273	37-4	553 266	12-38a	554 958	38-27
489 910	55-31	548 274	37-66	553 266	15-24	554 979	49-16
489 983	53-45	548 274	37-66	553 266	12-38a	554 979	50-9
491 049	49-41	548 330	37-3	554 094	46-51	554 979	52-14
491 049	70D-14	548 331	37-3	554 142	57-25	554 979	43-46
491 050	41-19	548 407	37-3	554 143	57-23	554 979	54-41
491 059	39-39	548 509	63-38	554 144	57-24	554 979	55-42
491 059	39-40	548 517	37-4	554 365	58-40	554 985	38-24
491 082	47-54	548 561	55-45	554 575	70D-19	555 412	59-1
491 082	47-56	548 868	37-1	554 598	38-29	555 421	73-22
491 082	47-57	550 448	37-3	554 598	70D-20	555 457	61-2
491 806	48-18	550 483	37-4	554 640	58-32	555 501	73-22
491 947	47-35	550 487	62-46	554 659	38-23	555 884	36-42
492 100	39-7	550 489	37-3	554 659	38A-8	555 885	36-42
492 153	48-10	550 491	37-3	554 659	59-23	555 888	36-42
492 240	38-8	550 493	37-3	554 659	38A-8	555 889	36-42
492 241	39-10	550 496	37-67	554 678	59-24	556 105	39-2
492 312	47-8	550 503	48-23	554 686	73-30	556 119	14-42
494 001	14-47	550 504	48-23	554 714	61-15	556 236	36-42
494 025	20-25	550 548	37-16	554 726	40-34	556 237	36-42
494 037	27-7	550 549	37-13	554 731	40-33	556 238	36-42
494 037	27-25	550 779	70B-15	554 757	46-40	556 239	36-42
494 037	27-19	550 780	70B-12	554 757	46-44	556 266	14-42
494 040	35-16	550 984	40-2	554 757	46-52	556 267	14-42
494 040	36-37	550 984	45-1	554 761	59-3	556 268	14-42
494 060	44-12	551 114	70B-10	554 772	57-26	556 269	14-42
494 087	66-10	551 274	35-46	554 776	40-19	556 315	14-42
494 093	55-19	551 390	35-45	554 808	38-24	556 366	47-14
494 123	57-30	551 424	35-60	554 829	75-9	556 469	36-42
494 159	70-2	551 425	35-59	554 861	38-25	556 470	36-42
494 177	31-26	551 705	23-28	554 861	39-4	556 471	36-42
494 191	48-20	551 705	25-1	554 861	39-46	556 472	36-42
494 209	63-35	551 706	23-28	554 861	48-17	556 473	36-42
494 644	47-13	551 706	26-1	554 861	58-33	556 474	36-42
494 678	73-26	551 764	23-26	554 861	58-55	556 677	36-42
494 966	53-51	551 764	24-1	554 861	60-16	556 678	36-42
498 685	44-20	551 764	23-27	554 861	70D-18	556 693	14-42
506 902	73-27	551 764	24A-1	554 861	72-10	556 694	14-42

**PIPER AIRCRAFT
PA-28-236 DAKOTA
AIRPLANE PARTS CATALOG**

NUMERICAL INDEX

Part Number	Figure and Index No.	Part Number	Figure and Index No.	Part Number	Figure and Index No.	Part Number	Figure and Index No.
556 705	36-42	559 806	14-42	579 120	32-13	579 410	13-13
556 713	14-45	559 827	36-42	579 121	32-13	579 411	32-12
556 753	73-22	559 828	36-42	579 201	32-11	579 412	32-11
556 921	36-42	559 829	36-42	579 202	32-10	579 413	32-13
556 932	36-42	560 835	70D-12	579 226	13-11	579 419	32-10
556 933	36-42	560 854	40-35	579 226	32-15	579 472	13-11
556 939	14-42	560 904	40-35	579 227	13-11	579 472	32-15
556 940	14-42	560 942	48-11	579 227	32-15	579 473	13-11
556 941	14-42	561 012	59-20	579 228	13-11	579 473	32-15
557 057	14-42	561 012	59-22	579 228	32-15	579 474	32-15
557 058	14-42	561 013	59-21	579 261	13-13	579 474	13-11
557 059	14-42	565 516	63-19	579 262	13-13	579 507	13-11
557 198	14-42	565 523	73-16	579 263	13-13	579 507	32-15
557 199	14-42	565 576	59-19	579 266	32-12	579 508	13-11
557 200	14-42	565 578	59-16	579 267	32-12	579 508	32-15
557 201	14-42	566 194	47-24	579 268	32-12	579 509	13-11
558 830	47-53	571 136	62-24	579 269	32-11	579 509	32-15
558 831	47-52	571 162	64-8	579 270	32-11	579 510	13-11
558 900	38-18	572 557	69-4	579 271	32-11	579 510	32-15
558 912	38-19	572 558	69-4	579 282	32-13	579 559	13-13
558 913	70D-13	572 559	62-25	579 283	32-13	579 560	13-13
559 700	36-42	572 560	69-4	579 284	32-13	579 561	13-13
559 707	36-42	572 561	69-4	579 285	32-13	579 562	13-13
559 714	36-42	572 562	62-28	579 286	32-13	579 563	32-12
559 721	36-42	572 582	62-16	579 292	32-10	579 564	32-12
559 728	36-42	572 646	62-8	579 293	32-10	579 565	32-12
559 735	36-42	572 646	62-8	579 294	32-10	579 566	32-12
559 748	36-42	579 080	13-13	579 316	13-13	579 567	32-11
559 758	13-11	579 081	13-13	579 317	32-12	579 568	32-11
559 758	32-15	579 082	13-13	579 338	13-13	579 569	32-11
559 759	14-42	579 083	32-12	579 339	13-13	579 570	32-11
559 760	36-42	579 084	32-12	579 340	32-12	579 571	13-13
559 770	13-11	579 085	32-12	579 341	32-12	579 572	13-13
559 770	32-15	579 086	32-11	579 342	32-11	579 573	13-13
559 771	14-42	579 087	32-11	579 343	32-11	579 574	13-13
559 772	36-42	579 088	32-11	579 346	32-13	579 579	32-10
559 782	13-11	579 098	32-10	579 347	32-13	579 580	32-10
559 782	32-15	579 099	32-10	579 350	32-10	579 581	32-10
559 783	14-42	579 100	32-10	579 351	32-10	579 582	32-10
559 784	36-42	579 113	13-11	579 354	32-11	580 731	32-15
559 793	13-11	579 113	32-15	579 356	32-13	581 126	70-3
559 793	32-15	579 114	13-11	579 358	32-13	581 312	38A-34
559 794	14-42	579 114	32-15	579 370	32-11	581 330	56-7
559 795	36-42	579 115	13-11	579 371	32-11	581 332	56-8
559 805	13-11	579 115	32-15	579 376	32-10	581 760	17-17
559 805	32-15	579 119	32-13	579 377	32-10	581 928	14-41

**PIPER AIRCRAFT
PA-28-236 DAKOTA
AIRPLANE PARTS CATALOG**

NUMERICAL INDEX

Part Number	Figure and Index No.	Part Number	Figure and Index No.	Part Number	Figure and Index No.	Part Number	Figure and Index No.
582 172	67-36	591 545	34-1	591 806	34-3	592 034	34-6
582 632	47-64	591 547	34-2	591 807	34-4	592 035	34-6
584 137	73-31	591 549	34-5	591 815	34-6	592 038	34-1
584 140	27-14	591 551	34-5	591 817	34-1	592 039	34-1
584 140	27-19	591 608	34-9	591 829	34-5	592 040	34-2
584 256	59-21	591 609	34-9	591 830	34-5	592 041	34-2
584 257	59-22	591 610	34-9	591 853	34-9	592 042	34-5
584 258	59-20	591 611	34-9	591 854	34-9	592 043	34-5
584 279	63-40	591 612	34-8	591 855	34-8	592 044	34-5
585 015	62-19	591 613	34-8	591 856	34-8	592 045	34-5
585 240	Misc	591 614	34-8	591 857	34-8	592 075	34-9
585 240	Misc.	591 615	34-8	591 858	34-8	592 076	34-8
585 297	47-70	591 616	34-8	591 859	34-3	592 077	34-8
587 299	35-12	591 617	34-8	591 860	34-3	592 078	34-3
587 299	36-16	591 618	34-8	591 861	34-4	592 079	34-4
587 381	13-34	591 619	34-8	591 862	34-4	592 096	34-6
587 398	13-28	591 620	34-3	591 899	34-6	592 098	34-1
587 404	36-43	591 621	34-3	591 900	34-6	592 099	34-2
587 410	40-36	591 622	34-3	591 903	34-1	592 100	34-5
587 410	40-36	591 623	34-3	591 904	34-1	592 101	34-5
587 593	27-19	591 624	34-4	591 905	34-2	592 627	34-4
587 594	27-14	591 625	34-4	591 906	34-2	594 003	27-14
587 807	74-2	591 626	34-4	591 907	34-5	594 003	27-19
587 808	74-3	591 696	34-6	591 908	34-5	596 118	73-11
587 808	74-4	591 697	34-6	591 909	34-5	596 605	72-1
587 808	74-5	591 698	34-6	591 910	34-5	596 664	73-8
587 809	74-6	591 699	34-6	591 940	34-9	597 426	72-1
587 903	64-5	591 700	34-1	591 941	34-8	597 893	73-34
587 923	63-33	591 701	34-1	591 942	34-8	598 323	75-14
587 923	70-8	591 702	34-1	591 943	34-3	654 186	38A-15
587 961	41-11	591 703	34-1	591 944	34-4	654 186	38A-15
588 030	71-6	591 704	34-2	591 962	34-6	680 000	13-11
588 109	58-28	591 705	34-2	591 964	34-1	680 000	32-15
588 356	74-9	591 706	34-2	591 965	34-1	680 001	13-11
588 436	47-59	591 707	34-2	591 966	34-5	680 001	32-15
588 464	63-28	591 708	34-5	591 967	34-5	680 002	13-11
588 688	60-10	591 709	34-5	591 990	34-9	680 002	32-15
591 033	36-42	591 710	34-5	591 991	34-9	680 003	13-11
591 034	36-42	591 711	34-5	591 992	34-8	680 003	32-15
591 035	36-42	591 712	34-5	591 993	34-8	680 047	13-13
591 491	34-9	591 713	34-5	591 994	34-9	680 048	13-13
591 497	34-8	591 714	34-5	591 995	34-9	680 049	13-13
591 499	34-8	591 715	34-5	591 996	34-3	680 050	13-13
591 501	34-3	591 803	34-9	591 997	34-3	680 054	32-12
591 503	34-4	591 804	34-8	591 998	34-4	680 055	32-12
591 543	34-6	591 805	34-8	591 999	34-4	680 056	32-12

**PIPER AIRCRAFT
PA-28-236 DAKOTA
AIRPLANE PARTS CATALOG**

NUMERICAL INDEX

Part Number	Figure and Index No.	Part Number	Figure and Index No.	Part Number	Figure and Index No.	Part Number	Figure and Index No.
680 057	32-12	751 494	24A-3	753 408	25-20	755 885	26-9
680 058	32-11	751 494	24A-6	753 430	26-17	755 886	25-17
680 059	32-11	751 772	24-10	753 431	62-32	755 886	26-10
680 060	32-11	751 772	24-12	753 448	21-6	755 887	25-3
680 061	32-11	751 772	24A-9	753 461	45-3	755 887	26-3
680 076	32-13	751 799	47-3	753 462	45-4	755 929	24A-11
680 077	32-13	751 810	24A-12	753 463	45-15	755 930	24A-13
680 078	32-13	751 815	38-10	753 473	24A-15	755 931	45-40
680 079	32-13	751 819	21-7	753 850	25-10	755 934	45-16
680 090	32-10	751 859	38-4	753 850	25-20	755 935	45-30
680 091	32-10	751 872	47-2	753 910	38-3	755 948	29-3
680 092	32-10	751 889	29-6	753 920	25-2	755 949	29-4
680 093	32-10	751 897	70A-12	753 936	26-2	755 950	29-5
680 110	32-11	751 912	37-68	753 956	29-2	755 964	21-12
680 117	13-13	751 987	70B-9	753 980	70A-4	755 968	45-14
680 118	32-13	752 342	25-14	753 980	70B-6	755 972	45-21
680 122	32-13	752 342	25-18	754 535	24-8	755 994	45-28
680 124	32-10	752 342	26-7	754 575	38-1	755 995	45-24
680 131	13-22	752 342	26-11	754 643	24A-4	755 999	24-9
680 131	32-15	752 511	45-6	754 791	45-36	755 999	24A-8
683 019	19-53	752 511	45-37	754 826	45-19	756 037	69-15
683 019	76-49	752 513	45-26	754 827	68-5	756 060	68-11
683 019	19-53	752 533	45-12	754 836	70B-19	756 061	68-13
683 019	76-49	752 534	45-7	754 848	31-25	756 065	67-6
686 083	36-1a	752 558	22-8	754 855	22-10	756 066	67-18
687 604	65-19	752 571	22-13	754 895	38A-18	756 067	67-16
687 604	65-19	752 584	31-22	754 895	38A-18	756 159	67-2
688 153	70C-2	752 585	31-25	755 049	48-24	756 607	45-22
688 164	70B-16	752 826	25-15	755 075	62-27a	756 616	37-38
688 178	63-4	752 826	25-19	755 075	62-30a	756 626	45-10
688 235	64-7	752 826	26-8	755 075	69-9	756 665	24-5
726 629	67-21	752 826	26-12	755 076	69-10	756 665	24A-5
751 201	62-30	752 830	21-8	755 096	62-27e	756 666	24-2
751 201	69-6	752 830	24-11	755 096	62-30e	756 666	24A-2
751 202	62-27	752 830	24A-10	755 096	69-14	756 669	40-38
751 202	69-6	752 965	25-8	755 232	68-9	756 685	22-12
751 203	62-33	752 965	26-19	755 271	68-2	756 757	67-11
751 345	32-16	752 966	25-9	755 295	45-2	756 892	Misc
751 381	62-26	752 966	26-18	755 340	67-16	757 052	70B-5
751 381	62-29	753 085	61-12	755 432	70A-1	757 052	70B-11
751 381	69-7	753 172	29-9	755 800	45-9	757 207	26-5
751 405	24-14	753 375	67-3	755 818	25-11	757 208	26-6
751 489	24-7	753 376	67-8	755 846	67-4	757 216	29-10
751 489	24A-7	753 380	67-15	755 884	25-12	757 217	29-11
751 494	24-2	753 407	25-5	755 884	25-13	757 253	45-39
751 494	24-6	753 407	26-14	755 885	25-16	757 302	45-25

**PIPER AIRCRAFT
PA-28-236 DAKOTA
AIRPLANE PARTS CATALOG**

NUMERICAL INDEX

Part Number	Figure and Index No.	Part Number	Figure and Index No.	Part Number	Figure and Index No.	Part Number	Figure and Index No.
757 310	37-37	758 249	67-15	761 975	23-29	763 718	21-2
757 311	67-10	758 250	67-13	761 995	20-43	763 719	21-4
757 336	45-18	758 251	67-17	761 995	23-29	763 781	67-11
757 386	68-4	758 280	45-35	761 996	23-29	763 848	2-48
757 387	68-3	758 282	45-34	762 003	69-5	763 860	Misc
757 388	68-14	758 296	70A-16	762 030	71-1	763 966	Misc
757 389	68-15	758 296	70B-20	762 049	67-22	764 051	Misc
757 390	68-16	758 366	67-19	762 050	67-25	764 092	67-31
757 392	68-6	758 369	67-9	762 275	31-21	764 401	70-7
757 479	31-20	758 392	22-6	762 276	31-18	764 975	Misc.
757 480	31-17	758 394	22-11	762 277	31-19	765 014	37-82
757 556	45-23	758 402	62-35	762 426	69-12	765 014	37-82
757 557	45-29	758 437	45-38	762 489	67-5	765 014	63-46
757 558	45-32	758 454	45-13	762 490	67-2	765 122	Misc.
757 559	45-33	758 456	21-9	762 491	67-7	765 157	Misc.
757 579	70A-15	758 457	31-12	762 492	67-11	765 186	Misc.
757 579	70B-2	758 471	68-8	762 493	67-24	765 377	Misc.
757 580	31-30	758 528	71-2	762 508	68-18	765 533	76-78
757 583	46-11	758 573	67-20	762 531	31-27	765 551	38A-13
757 718	61-13	758 574	67-23	762 559	22-7	765 551	62-56
757 719	68-19	758 575	67-3	762 562	22-9	765 551	38A-13
757 721	68-17	758 576	67-8	762 581	69-15	765 551	62-56
757 745	67-5	758 580	67-9a	762 585	31-14	765 553	76-78
757 746	67-7	760 297	Misc	762 586	31-13	766 222	Misc.
757 768	70A-14	760 459	Misc	762 587	31-15	766 239	Misc.
757 768	70B-1	760 993	Misc	762 616	69-15	766 239	37-10
757 790	38-9	761 156	69-5	762 628	67-6	766 239	37-17
757 790	38A-23	761 162	69-8	762 636	62-25f	911 981	36-1c
757 790	38A-23	761 222	69-8	762 636	62-30f		
757 828	45-31	761 253	69-8	762 669	38A-19		
757 863	70A-13	761 254	69-8	762 669	38A-19		
757 863	70B-7	761 255	62-27d	762 678	45-8		
757 899	38-7	761 255	62-30d	763 003	13-10		
757 913	70A-6	761 255	69-13	763 004	71-4		
757 981	67-14	761 256	62-27b	763 063	37-11		
758 001	70A-5	761 256	62-30b	763 216	22-3		
758 002	70B-16	761 256	69-11	763 216	22-5		
758 023	70B-3	761 426	62-27c	763 287	21-3		
758 024	70B-4	761 426	62-30c	763 287	21-5		
758 092	71-3	761 519	61-11	763 395	67-14		
758 136	45-37	761 814	38A-1	763 428	45-17		
758 181	70A-8	761 814	38A-1	763 450	31-11		
758 188	70A-2	761 903	68-12	763 469	69-1		
758 204	45-20	761 913	67-12	763 496	63-39		
758 224	68-7	761 972	20-43	763 712	22-2		
758 225	68-10	761 972	23-29	763 713	22-4		

**PIPER AIRCRAFT
PA-28-236 DAKOTA
AIRPLANE PARTS CATALOG**

**GRIDS 2D5 THRU 2L24
INTENTIONALLY LEFT BLANK**